

Thank you for purchasing a Sealey product. Manufactured to a high standard this product will, if used according to these instructions and properly maintained, give you years of trouble free performance.



IMPORTANT: PLEASE READ THESE INSTRUCTIONS CAREFULLY. NOTE THE SAFE OPERATIONAL REQUIREMENTS, WARNINGS & CAUTIONS. USE THE PRODUCT CORRECTLY AND WITH CARE FOR THE PURPOSE FOR WHICH IT IS INTENDED. FAILURE TO DO SO MAY CAUSE DAMAGE OR PERSONAL INJURY, AND WILL INVALIDATE THE WARRANTY. PLEASE KEEP INSTRUCTIONS SAFE FOR FUTURE USE.

The use of symbols in this document is to attract your attention to possible danger. The symbols and warnings themselves do not eliminate any danger, nor are they substitutes for proper accident prevention measures.

1. SAFETY INSTRUCTIONS

1.1 GENERAL SAFETY

- ❑ **WARNING!** Ensure Health & Safety, local authority, and general workshop practice regulations are adhered to when using this bench.
- ✓ Locate bench in a suitable working area.
- ✓ Keep the work area clean, uncluttered and ensure there is adequate lighting.
- ❑ **WARNING!** Use bench on level and solid ground, preferably concrete. Avoid tarmac since the bench may sink into the surface.
- ✓ Keep the bench clean and tidy in accordance with good workshop practice.
- ✓ Keep children and unauthorised persons away from the working area.
- ❑ **WARNING!** This bench is not electrically insulated and is therefore not suitable for electrical repairs of any sort.
- x **DO NOT** use the bench for any purpose other than that for which it is designed.
- x **DO NOT** do work on the bench without the workpiece being adequately secured. Use clamps or a vice (not included) to secure the workpiece. Available from your Sealey dealer.
- x **DO NOT** use the bench out of doors.
- x **DO NOT** get the bench wet or use in damp or wet locations or areas where there is condensation.
- x **DO NOT** clean the bench with any solvents which may damage the paint surface.

2. CONTENTS

- 2.1 Do not attempt to move the unassembled bench in its box on your own. Please ensure that you have adequate manpower or lifting / transit equipment to place the box in the area in which you intend to do the assembly. Ensure that the box is the right way up by referring to the symbols printed on the side of the box.
- 2.2 Open the box and remove the loosened staples from the packaging to avoid them catching your clothing or causing cuts and abrasions.
- 2.3 Remove all parts and fixings from the box. Ensure that you have adequate help to remove the bench top from the box (It is too heavy for one person to safely lift.)

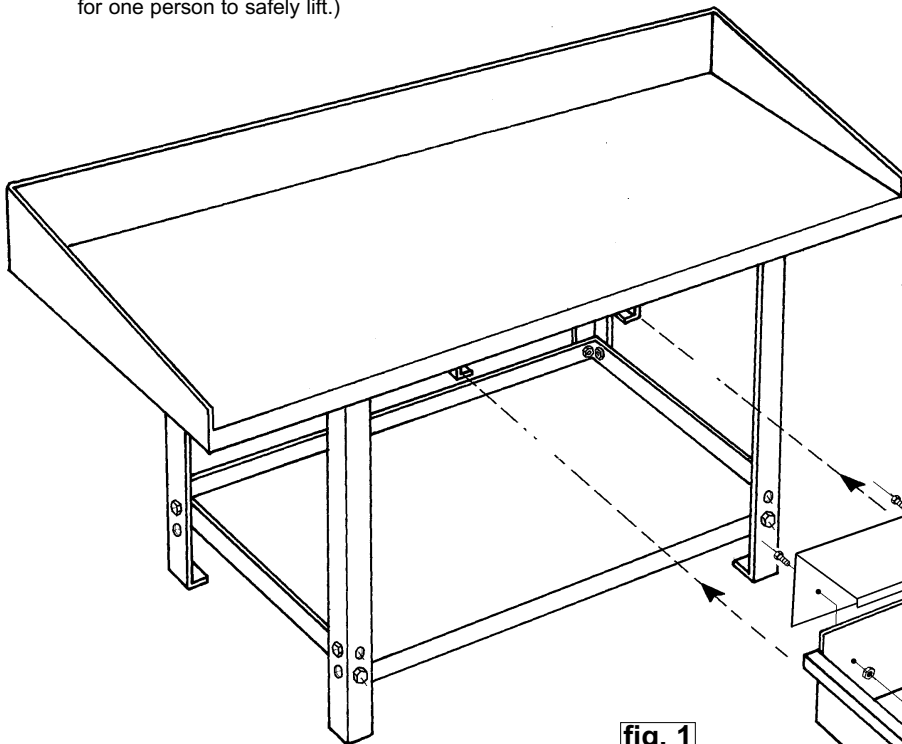


fig. 1

CONTENTS	
ITEM / PART *	QUANTITY
STEEL WORKTOP	(1)
SHELF	(1)
LOCK AND KEYS *APWB/01-A	(1)
DRAW *APWB/01	(1)
LEGS *APWB/02 & FIXINGS	(4)
PACK OF FIXINGS	
M17 BOLTS	(14)
M17 NUTS	(14)
SERRATED WASHERS	(14)

- 2.4 Check the contents against the parts listed above. Should there be any damaged or missing parts contact your supplier immediately.

NOTE: It is our policy to continually improve products and as such we reserve the right to alter data, specifications and component parts without prior notice.

IMPORTANT: No liability is accepted for incorrect use of product. **WARRANTY:** Guarantee is 12 months from purchase date, proof of which will be required for any claim. **INFORMATION:** Call us for a copy of our latest catalogue on 01284 757525 and leave your full name and address including your postcode.



3. ASSEMBLY

- 3.1 The bench should be built upside down. Do not turn the right way up until all bolts have been fully tightened. Generally speaking the bolt heads should be on the externally visible surfaces with the nuts and washers hidden out of sight.
- 3.2 Lay one of the legs on the floor and place the shelf onto it as shown in fig.2-A. The shelf must be supported until both bolts are in place. The turned down lip at the front of the shelf should be nearest to the foot. Place a bolt into the hole nearest to the foot and hand tighten the nut down onto a washer. Continue to support the shelf. Turn it through 90 degrees so that you can bolt the same leg to the side of the shelf. Only hand tighten at this stage.
- 3.3 Now attach a second leg to the shelf using two sets of fixings as shown fig.2-B.
- 3.4 Put some protective material onto the floor and place the bench top face down on top of it. Refer to fig.3. Attach the remaining two legs to the back edge of the upturned bench using the nuts, bolts and washers provided, as shown in fig.3-A.
- 3.5 Now lift the shelf with the legs attached and stand it on to the upturned bench top so that the legs go between the inner edge of the bench and the supports and the back edge of the shelf rests inside the legs already attached to the bench as shown in fig.3. Ensure that you have adequate help to do this.
- 3.6 Attach the back edge of the shelf to the rear legs using two sets of fixings on each leg. These fixings go in the holes furthest away from the feet. (See fig.3-B.)
- 3.7 Now bolt the front legs to the cross members on the underside of the bench top. The legs should be on the outside faces of the cross members as indicated on fig.3-C. All fixings should be hand tight at this stage.
- 3.8 Check that the assembly is correct and then tighten all bolts with a 17mm spanner before the bench is turned upright.
- 3.9 Ensure that you have enough help to turn the bench upright and lift it into its final position. Support the bench whilst gently tipping it onto its rear face. Now roll the bench onto its four feet taking care not to let the feet slide as you turn the bench fully upright.
- 4.0 To assemble the barrel lock to the draw (see fig.1-A), hook the the locking arm through the draw front making sure that the lock is rotated so the flats on the barrel line up with the flats in the hole and the lock is the right way up so that the arm turns upwards into the locking position. Refer to fig.1. To fix the lock in place press firmly on the front of the lock until the two sprung teeth on the barrel pass through the hole and come to bear on the inside face of the draw.
- 4.1 Slide the draw unit half way into the sheet metal runners on the underside of the bench top (see fig.1-B). Take the bent sheet metal draw stop component (see fig.1-C) and bolt it to the back of the draw in the orientation shown in the drawing. The draw stop will then come to rest on the back of the bench front edge thus preventing the draw falling out when it is fully opened.

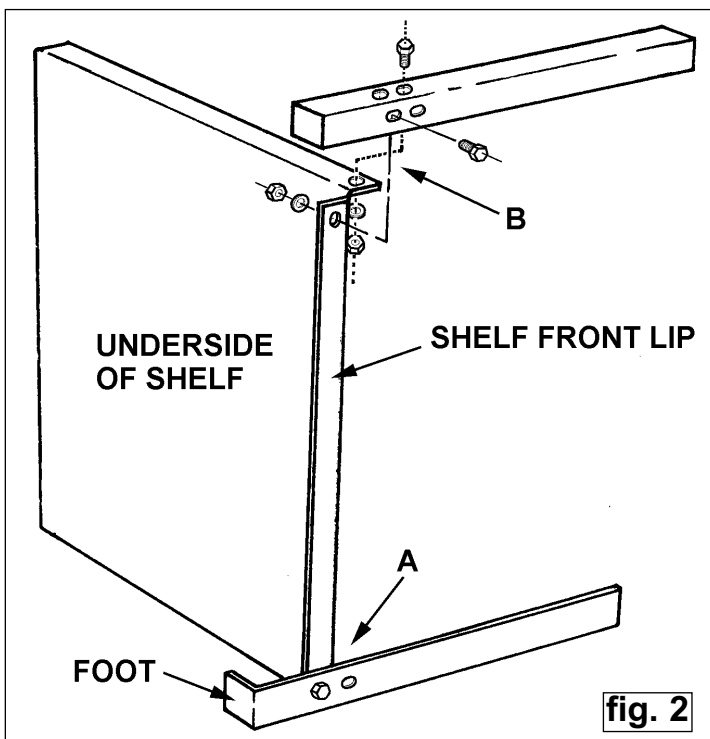


fig. 2

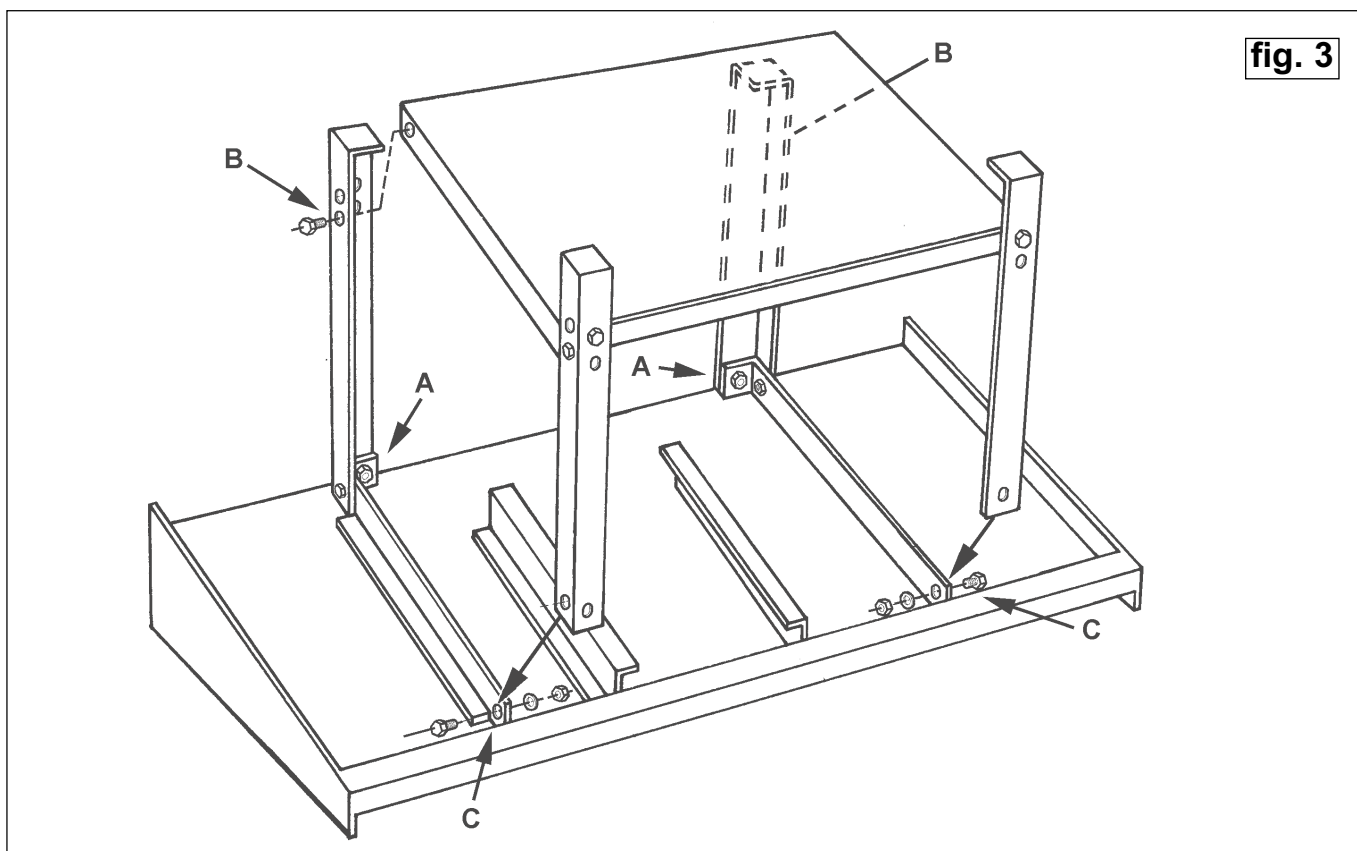


fig. 3