



# INSTRUCTIONS FOR: 2 DOOR WALL CABINET

MODEL No: **AP02WC**

Thank you for purchasing a Sealey product. Manufactured to a high standard, this product will, if used according to these instructions, and properly maintained, give you years of trouble free performance.

**IMPORTANT:** PLEASE READ THESE INSTRUCTIONS CAREFULLY. NOTE THE SAFE OPERATIONAL REQUIREMENTS, WARNINGS & CAUTIONS. USE THE PRODUCT CORRECTLY AND WITH CARE FOR THE PURPOSE FOR WHICH IT IS INTENDED. FAILURE TO DO SO MAY CAUSE DAMAGE AND/OR PERSONAL INJURY AND WILL INVALIDATE THE WARRANTY. KEEP THESE INSTRUCTIONS SAFE FOR FUTURE USE.



Refer to instruction manual

## 1. SAFETY

### 1.1 GENERAL SAFETY

- WARNING!** Ensure Health & Safety, local authority, and general workshop practice regulations are adhered to when using this cabinet.
- WARNING!** Use caution when handling and assembling the metal components. The metal may have sharp edges or corners, the use of protective gloves is recommended.
- ✓ Locate cabinet in a suitable working area and secure to a wall with suitable fasteners.
- ✓ Keep the work area clean, uncluttered and ensure there is adequate lighting.
- ✓ Keep the cabinet clean and tidy in accordance with good workshop practice.
- ✓ Keep children and unauthorised persons away from the working area.
- x **DO NOT** climb, step or stand on the cabinet shelves.
- x **DO NOT** use the cabinet for any purpose other than that for which it is designed.
- x **DO NOT** exceed the maximum weight allowance for each shelf.
- x **DO NOT** use in damp work areas.
- WARNING!** The warnings, cautions and instructions referred to in this instruction manual cannot cover all possible conditions and situations that may occur. It must be understood that common sense and caution are factors which cannot be built into this product, but must be applied by the operator.



## 2. INTRODUCTION

Two door wall cabinet features, silver-grey doors with graphite grey carcass to give a contemporary, robust appearance which reflects the construction of the unit. The cabinet has outer and inner steel construction for extra strength and durability.

Added security provided by cylinder locks. Supplied with two keys.

Cabinet can be used individually or as part of a complete storage solution.

## 3. ASSEMBLY

### 3.1 Contents Inspection

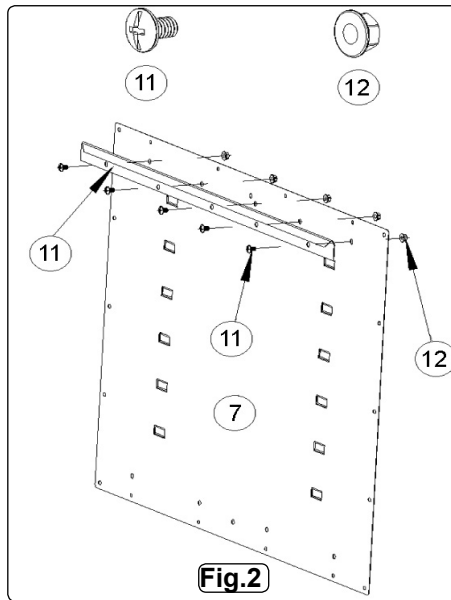
Unpack all the parts and layout on the packing material. Check against the contents list to ensure all components are present.

### 3.2 Tools

The following tools will be required for the assembly: 10mm Socket Wrench, Philips Screwdriver, Spirit Level, Drill.

Contents	
1	L/H Door
2	L/H Side Panel
3	Floor Panel
4	R/H Door
5	R/H Side Panel
6	Shelf
7	Back Panel
8	Hanger
9	Top Panel
10	Wall Bracket
11	Screw
12	Nut
13	Screw
14	Screw
15	Washer
16	Screw
17	Bumper
18	Lock and Keys

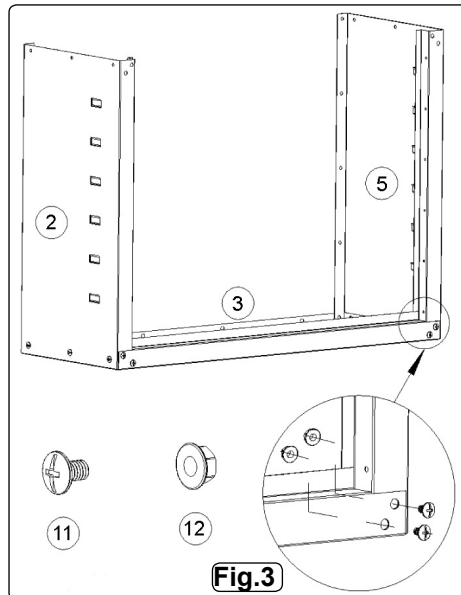
Fig.1



### 3.3 Cabinet Assembly

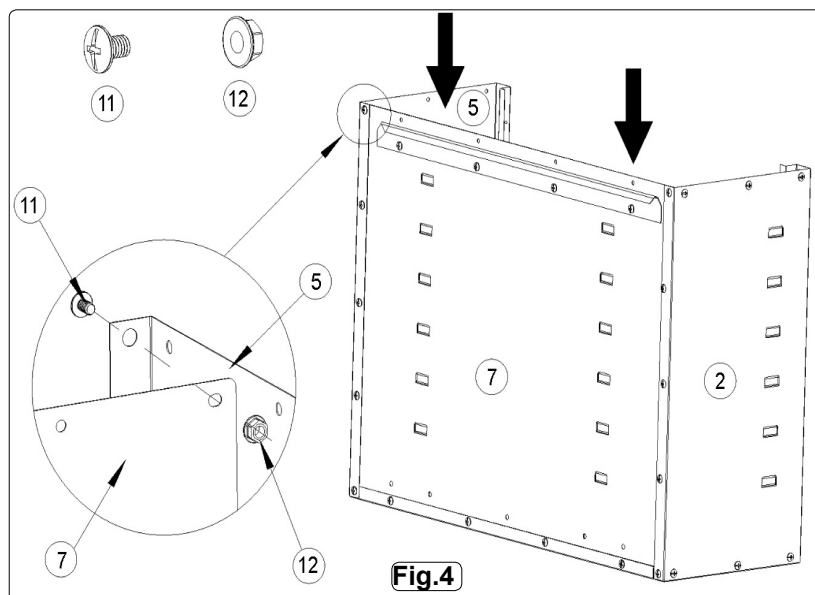
#### 3.3.1 Hanger Assembly (Fig.2)

Align the hanger mounting holes with the top holes in the back panel and secure using screws (11) and nuts (12). Ensure that the tabs on the back panel are on the opposite side and facing upwards.



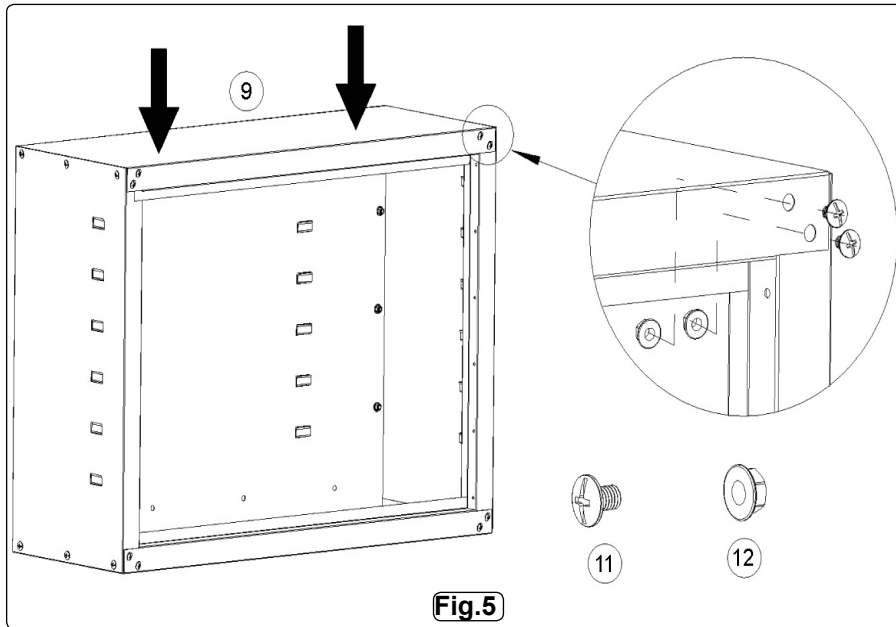
#### 3.3.2 Side Panel Assembly (Fig.3)

Attach the side panels (2 & 5) to the bottom panel (3) with screws (11) and nuts (12). **DO NOT** fully tighten. Ensure that the side panel tabs are positioned inside the cabinet and facing upwards.



#### 3.3.3 Back Panel Assembly (Fig.4)

Slide the back panel inside the two side panels as shown in fig.3, align the holes and secure with screws (11) and nuts (12). **DO NOT** fully tighten.



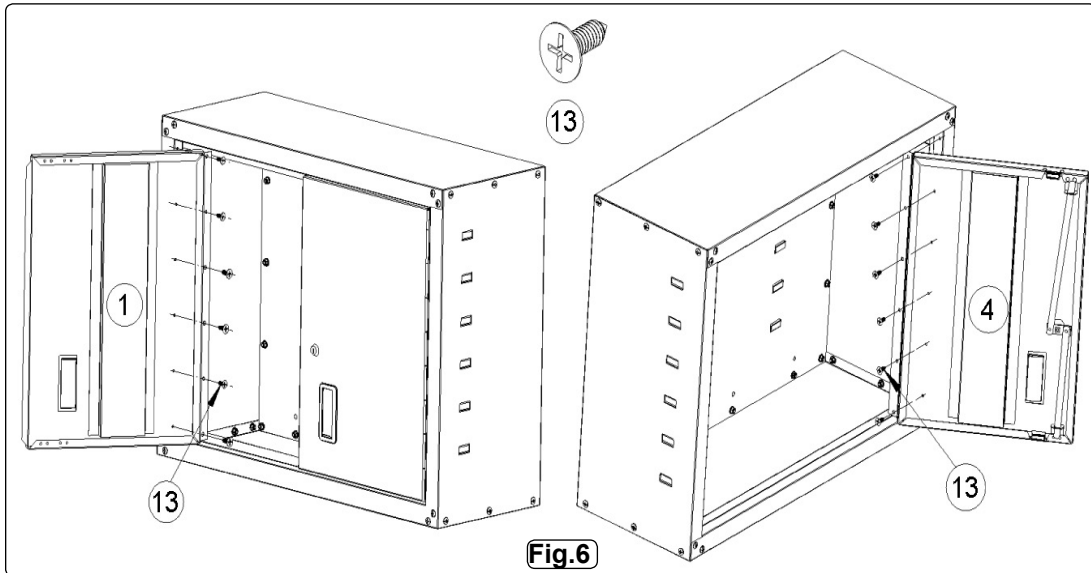
**Fig.5**

3.3.4 Top Panel Assembly (Fig.5)

Attach the top panel to the sides and back, align the holes and secure with screws (11) and nuts (12). **DO NOT** fully tighten.

3.3.5 Squaring the Cabinet

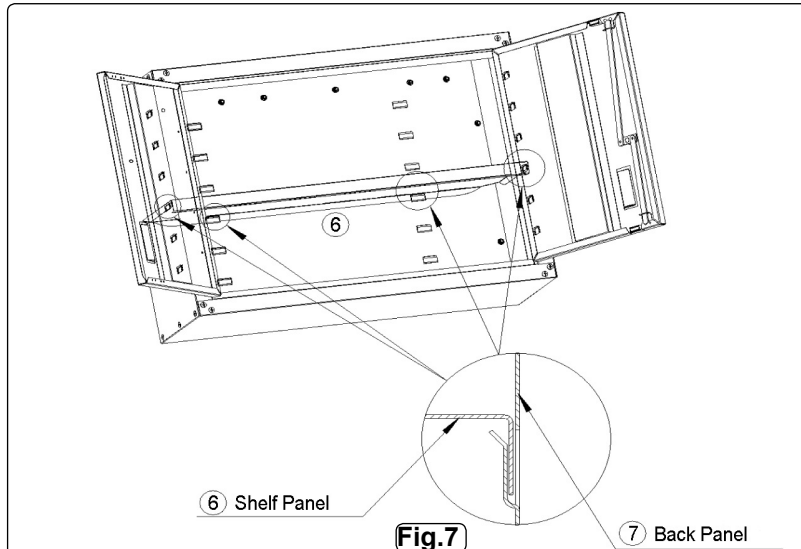
Upright the cabinet and place on a level surface. Check the cabinet for squareness, adjust the cabinet as required and fully tighten all the fixings.



**Fig.6**

3.3.6 Door Assembly (Fig.6)

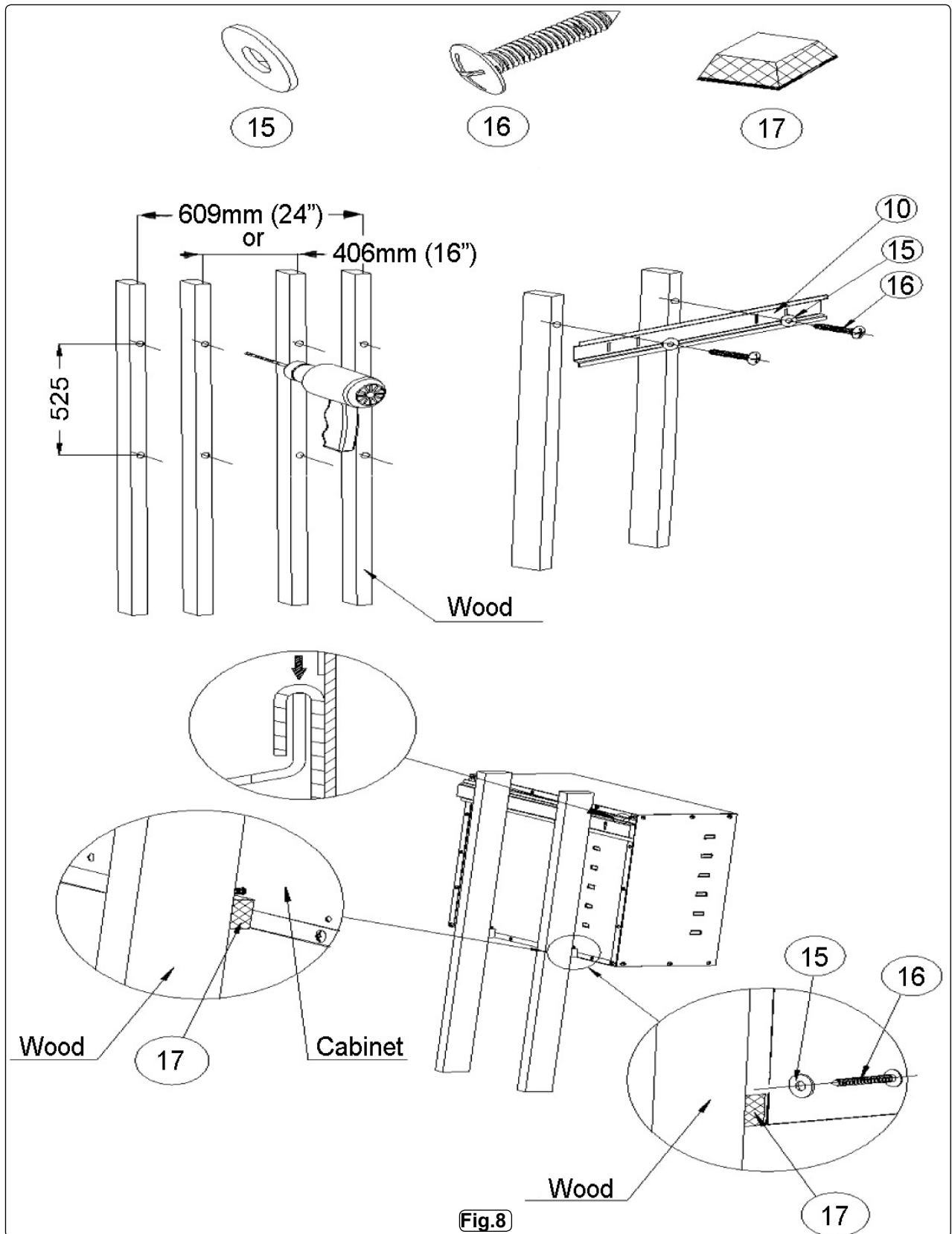
Select the left hand door (1) and align the hinge with the holes on the side panel and secure with screws (13). Repeat for the right hand door (4). Fully tighten both doors to side panel, ensuring both doors will open and close and the lock operates smoothly.



**Fig.7**

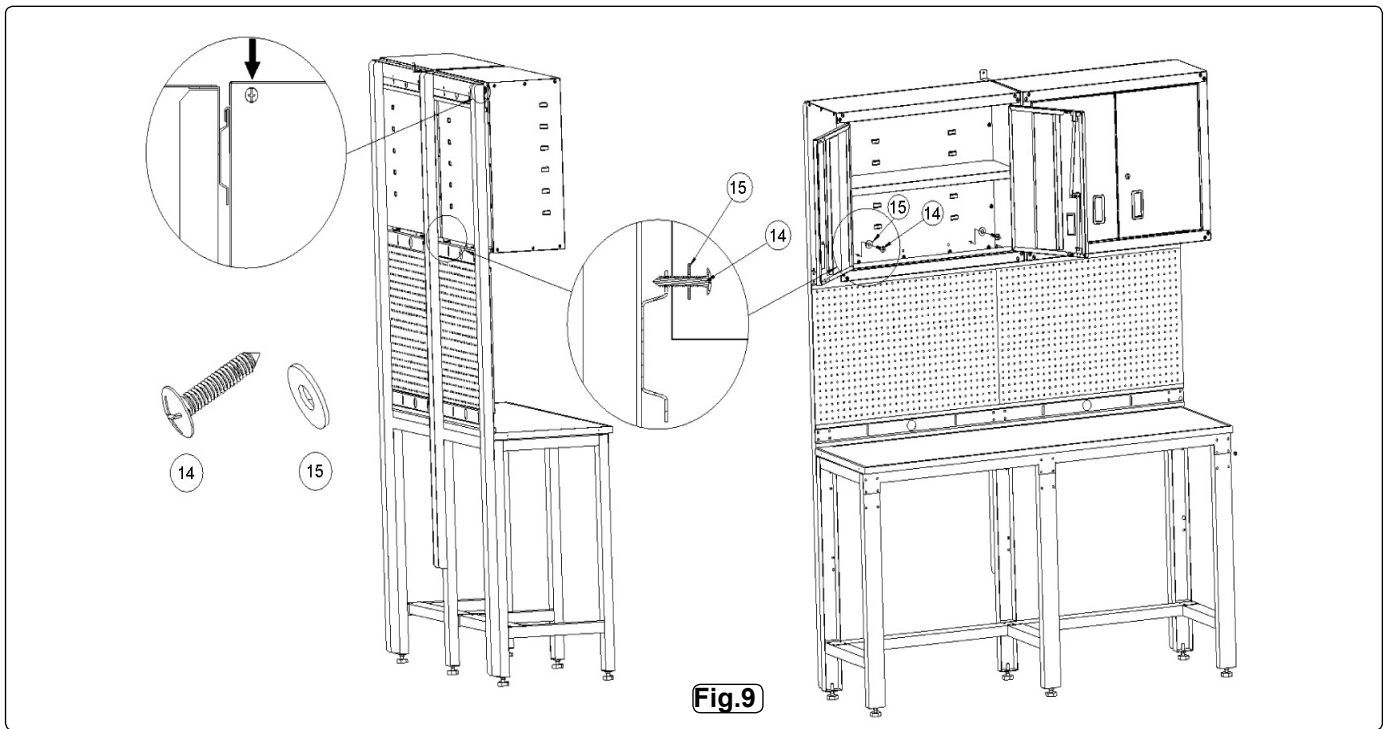
3.3.7 Installing Shelf (Fig.7)

Open the doors and place the shelf panel (6) into the cabinet. Select the desired height and secure the shelf by lowering into the tabs in the back and side panels. The tabs may require opening up slightly with a flat bladed screwdriver.



**3.4 Mounting the Cabinet** Wall mounting. Wood Frame or Masonry Wall.

- 3.4.1 Peel off the backing paper from the two bumper pads (17) and attach to the lower back section of the cabinet.
- 3.4.2 Using the wall bracket (10) as a guide mark out centres for the holes to be drilled. Check markings with a level and use a metal/stud detector to ensure that there are no cables or metal in the area to be drilled.
- 3.4.3 Drill the holes as required.
- 3.4.4 Using appropriate fasteners, secure the wall bracket to the wall.
- 3.4.5 Hang the wall cabinet onto the wall bracket, open the doors and locate the holes at the bottom of the back panel. Mark the hole centres on the wall. Remove cabinet and drill the wall, insert wall fixings as required, replace cabinet and screw to the wall using screws (16) and washers (15).



**Fig.9**

### 3.5 Mounting the Cabinet to optional Mounting Frame (APMF).

3.5.1 Hang the cabinet on to the mounting frame by the hanger.

3.5.2 Using screws (14) and flat washers (15), secure the cabinet to the backwall as shown in Fig.9.

**Note:** Ensure that the cabinet does not overhang the edge of the backwall and that it is securely fixed, failure to do so may cause personal injury and or damage to the product.

## 4. MAINTENANCE

4.1 Lubricate the lock annually with graphite.

4.2 Periodically the surfaces should be cleaned using a mild detergent and water.

4.3 Car wax can be used to help preserve the finish of the units.

4.4 Grease and oil can be removed using standard workshop degreasants, for safety ensure that non-flammable fluids are used.



Cabinet shown here in conjunction with other options available. Contact your Sealey stockist for more details.

**Parts support is available for this product.**

To obtain a parts list and diagram please log on to [www.sealey.co.uk](http://www.sealey.co.uk), email [sales@sealey.co.uk](mailto:sales@sealey.co.uk) or phone 01284 757500

### Environmental Protection



Recycle unwanted materials instead of disposing of them as waste. All tools, accessories and packaging should be sorted, taken to a recycling centre and disposed of in a manner which is compatible with the environment.

When the product becomes completely unserviceable and requires disposal, drain off any fluids (if applicable) into approved containers and dispose of the product and the fluids according to local regulations.

**NOTE:** It is our policy to continually improve products and as such we reserve the right to alter data, specifications and component parts without prior notice.

**IMPORTANT:** No liability is accepted for incorrect use of this product.

**WARRANTY:** Guarantee is 12 months from purchase date, proof of which will be required for any claim.



Sole UK Distributor, Sealey Group,  
Kempson Way, Suffolk Business Park,  
Bury St. Edmunds, Suffolk,  
IP32 7AR

01284 757500  
01284 703534

[www.sealey.co.uk](http://www.sealey.co.uk)  
[sales@sealey.co.uk](mailto:sales@sealey.co.uk)