



0-12.7MM(0-0.5") DIGITAL EXTERNAL MICROMETER

MODEL NO: **AK9638D**

Thank you for purchasing a Sealey product. Manufactured to a high standard, this product will, if used according to these instructions, and properly maintained, give you years of trouble free performance.

IMPORTANT: PLEASE READ THESE INSTRUCTIONS CAREFULLY. NOTE THE SAFE OPERATIONAL REQUIREMENTS, WARNINGS & CAUTIONS. USE THE PRODUCT CORRECTLY AND WITH CARE FOR THE PURPOSE FOR WHICH IT IS INTENDED. FAILURE TO DO SO MAY CAUSE DAMAGE AND/OR PERSONAL INJURY AND WILL INVALIDATE THE WARRANTY. KEEP THESE INSTRUCTIONS SAFE FOR FUTURE USE.



Refer to instructions

1. SAFETY

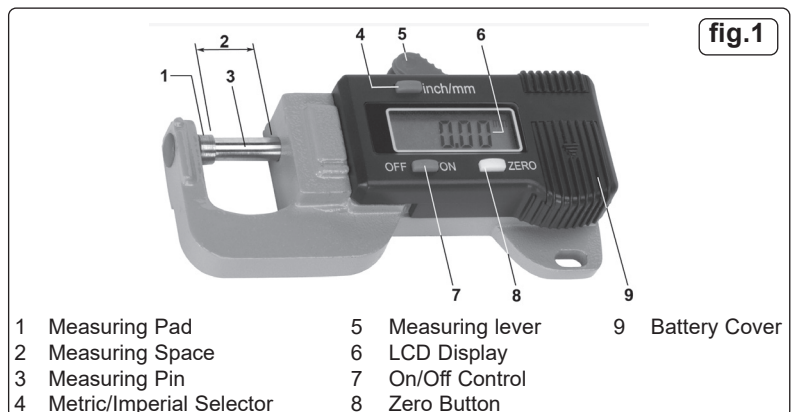
- ❑ **WARNING!** Ensure Health and Safety, local authority and general workshop practice regulations are adhered to when using tools and equipment.
- × **DO NOT** use micrometer if damaged.
- ✓ Maintain micrometer in good and clean condition for best and safest performance.
- ✓ Keep the work area clean, uncluttered and ensure there is adequate lighting.
- ✓ Maintain correct balance and footing. Ensure the floor is not slippery and wear non-slip shoes.
- ✓ Keep children and unauthorised persons away from the work area.
- × **DO NOT** use the micrometer for any purpose other than for which it is designed.
- × **DO NOT** get micrometer wet or use in damp or wet locations, or areas where there is condensation. Keep micrometer clean and dry using a dry cotton cloth only.
- × **DO NOT** dip or submerge the micrometer in any type of liquid.
- × **DO NOT** expose calliper to bright sunlight or dust.
- × **DO NOT** dis-assemble micrometer. The micrometer must be checked by qualified service personnel only.
- × **DO NOT** apply any voltage to the micrometer i.e. with an electric marker pen.
- ✓ The micrometer is a precision instrument, treat with care, avoid using force and do not subject to knocks or shocks.
- ✓ Take particular care not to damage or scratch the scale surface.
- ✓ Use micrometer in reasonably constant temperature conditions of approximately 20°C.

2. INTRODUCTION

Digital micrometer with spring loaded satin chrome pin. Easy-to-read LCD digital display with auto off feature. Zero display in any position for relative and tolerance readings. Display switchable between Metric and Imperial units.

3. SPECIFICATION

Model No: **AK9638D**
 Accuracy: ±0.03mm(0.001")
 Battery: 1 x LR44 (supplied)
 Graduation: 0.01mm(0.0005")
 Range: 0-12.7mm(0-0.5")



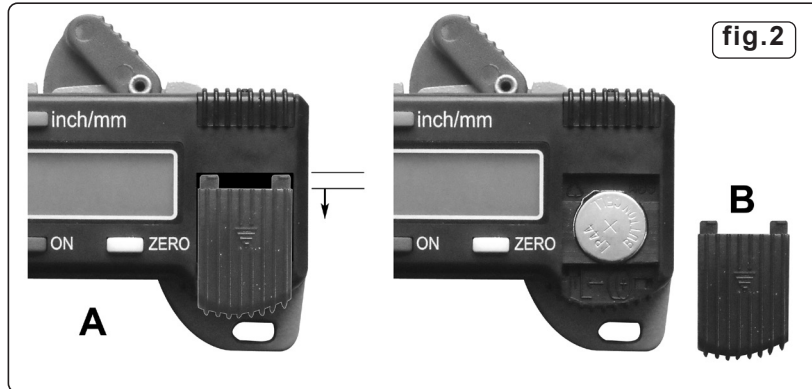
4. OPERATION

- ❑ **WARNING!** Ensure that you have read and understood Section 1 safety instructions before commencing.
- 4.1. Ensure all measuring surfaces are clean and then turn on micrometer by pressing on/off control. Wait at least one second before use.
- 4.2. If read-out does not show zero when micrometer is in closed position, reset by pressing zero control.
- 4.3. Select inch or mm units, as required, with the metric/imperial selector. Check that display shows the required units.
- 4.4. Retract the measuring pin by pressing the red lever above the display. Introduce the object to be measured into the measuring space and allow the pin to close onto the object so that it is between the end of the pin and the measuring pad.
- 4.5. Measurements will now be shown directly on the LCD display.
- 4.6. A new zero may be obtained, at any open position for relative and tolerance readings, by pressing the zero control.

5. BATTERY FITTING

A flashing display indicates that the battery is exhausted - replace as follows:

- 5.1. Switch off and then remove battery cover by firmly sliding downwards. When the two tags are exposed, lift off the battery cover as shown in fig.2A.
- 5.2. Remove exhausted battery and fit replacement with **positive side uppermost** (fig.2B).
- 5.3. Refit the battery cover by placing it over the battery in the position shown in fig.2A. Press lightly on the cover and push up to close the compartment.
- 5.4. Dispose of old battery in a safe and approved manner. **Do not burn.**
- 5.5. If the display fails to alter when the slide is moved, remove the battery - wait at least 30 seconds and then refit the battery.



ENVIRONMENT PROTECTION

Recycle unwanted materials instead of disposing of them as waste. All tools, accessories and packaging should be sorted, taken to a recycling centre and disposed of in a manner which is compatible with the environment. When the product becomes completely unserviceable and requires disposal, drain any fluids (if applicable) into approved containers and dispose of the product and fluids according to local regulations.



WEEE REGULATIONS

Dispose of this product at the end of its working life in compliance with the EU Directive on Waste Electrical and Electronic Equipment (WEEE). When the product is no longer required, it must be disposed of in an environmentally protective way. Contact your local solid waste authority for recycling information.



BATTERY REMOVAL SEE SECTION 5

Under the Waste Batteries and Accumulators Regulations 2009, Jack Sealey Ltd are required to inform potential purchasers of products containing batteries (as defined within these regulations), that they are registered with Valpak's registered compliance scheme. Jack Sealey Ltd Batteries Producer Registration Number (BPRN) is BPRN00705.

Note: It is our policy to continually improve products and as such we reserve the right to alter data, specifications and component parts without prior notice.

Important: No Liability is accepted for incorrect use of this product.

Warranty: Guarantee is 12 months from purchase date, proof of which is required for any claim.

Sealey Group, Kempson Way, Suffolk Business Park, Bury St Edmunds, Suffolk. IP32 7AR



01284 757500



01284 703534



sales@sealey.co.uk



www.sealey.co.uk