



ELECTRONIC VERNIER CALIPER

MODEL NO: **AK962EV.V2**

Thank you for purchasing a Sealey product. Manufactured to a high standard, this product will, if used according to these instructions, and properly maintained, give you years of trouble free performance.

IMPORTANT: PLEASE READ THESE INSTRUCTIONS CAREFULLY. NOTE THE SAFE OPERATIONAL REQUIREMENTS, WARNINGS & CAUTIONS. USE THE PRODUCT CORRECTLY AND WITH CARE FOR THE PURPOSE FOR WHICH IT IS INTENDED. FAILURE TO DO SO MAY CAUSE DAMAGE AND/OR PERSONAL INJURY AND WILL INVALIDATE THE WARRANTY. KEEP THESE INSTRUCTIONS SAFE FOR FUTURE USE.




Refer to instruction manual



BATTERY WARNING

KEEP OUT OF REACH OF CHILDREN
In case of ingestion seek medical attention immediately.



1. SAFETY

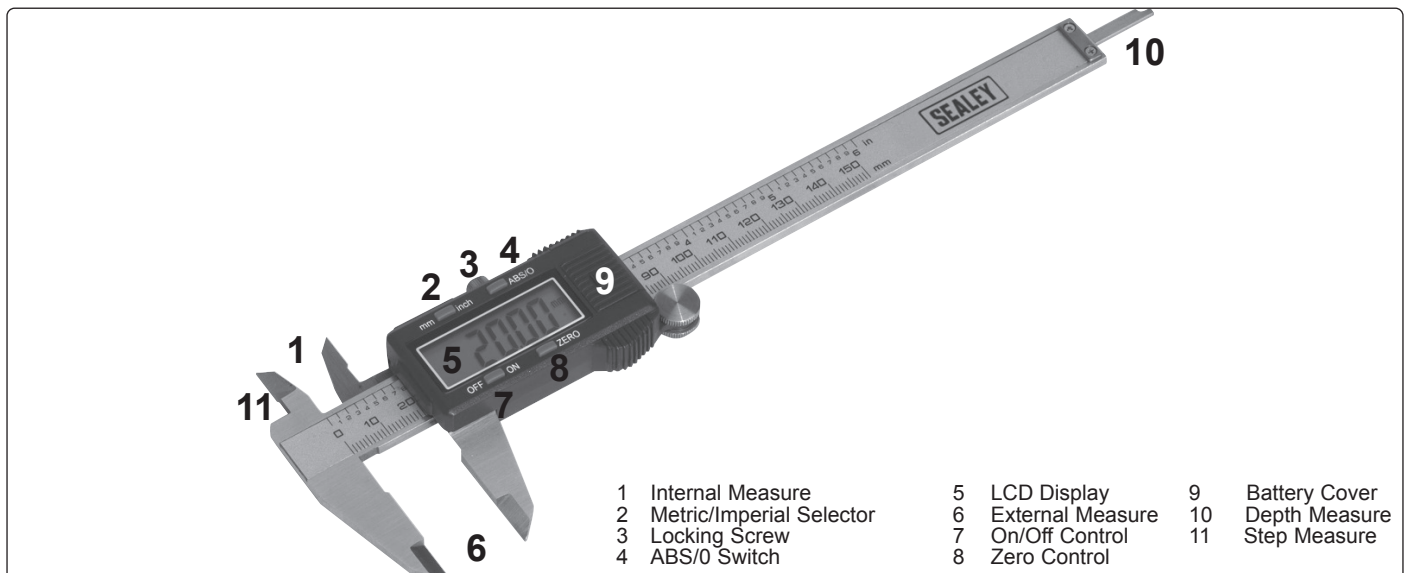
- ❑ **WARNING!** Ensure Health and Safety, local authority and general workshop practice regulations are adhered to when using tools and equipment.
- ✗ **DO NOT** use if damaged.
- ✓ Maintain caliper in good and clean condition for best performance.
- ✓ Keep the work area clean, uncluttered and ensure there is adequate lighting.
- ✓ Keep children and unauthorised persons away from the work area.
- ✗ **DO NOT** use the caliper for any purpose other than for which it is designed.
- ✗ **DO NOT** get caliper wet or use in damp or wet locations, or areas where there is condensation. Keep caliper clean and dry using a dry cotton cloth only.
- ✗ **DO NOT** dip or submerge the caliper in any type of liquid.
- ✗ **DO NOT** expose caliper to bright sunlight or dust.
- ✗ **DO NOT** disassemble. The caliper must be checked by qualified service personnel only.
- ✗ **DO NOT** apply any voltage to the caliper i.e. with an electric marker pen.
- ✓ The caliper is a precision instrument, treat with care, avoid using force and do not subject to knocks or shocks.
- ✓ Use in reasonably constant temperature conditions of approximately 20°C.
- ✓ When not in use, turn off and store gauge in a safe, dry, childproof location.

2. INTRODUCTION

Hardened and tempered stainless steel digital calipers with satin finish. Large LCD display with 11mm high figures for ease of reading. Metric and Imperial calibration with conversion between the two. Zero setting control allows for comparative measurement. Supplied in storage case.

3. SPECIFICATION

Model No:..... **AK962EV.V2**
 Range: 0-150mm(0-6")
 Resolution:0.01mm(0.0005")
 Accuracy <100mm:±0.02mm(0.001")
 Accuracy >100mm:±0.03mm(0.001")
 Battery: 1 x LR44 (supplied)



- | | | |
|----------------------------|--------------------|------------------|
| 1 Internal Measure | 5 LCD Display | 9 Battery Cover |
| 2 Metric/Imperial Selector | 6 External Measure | 10 Depth Measure |
| 3 Locking Screw | 7 On/Off Control | 11 Step Measure |
| 4 ABS/O Switch | 8 Zero Control | |

4. OPERATION

- 4.1. Ensure all measuring surfaces are clean and then turn on caliper by pressing on/off control. Wait at least one second before use.
- 4.2. Loosen locking screw and close caliper; if read-out does not show zero **when in closed position**, reset by pressing zero control.
- 4.3. Select inch or mm units, as required, with the metric/imperial selector. Check that display shows the required units.
- 4.4. Measurements will now be shown directly on the LCD display.
- 4.5. A new zero may be obtained, at any open position of the caliper, by pressing the zero control.
- 4.6. A second measurement that then also needs to be added to the first one can be obtained by pressing the ABS/0 switch after obtaining the first measurement (display will show INC), then move out the calipers to measure the second one. After noting this, press the ABS/0 switch again and the display will show the total of both measurements.



ENVIRONMENT PROTECTION

Recycle unwanted materials instead of disposing of them as waste. All tools, accessories and packaging should be sorted, taken to a recycling centre and disposed of in a manner which is compatible with the environment. When the product becomes completely unserviceable and requires disposal, drain any fluids (if applicable) into approved containers and dispose of the product and fluids according to local regulations.



WEEE REGULATIONS

Dispose of this product at the end of its working life in compliance with the EU Directive on Waste Electrical and Electronic Equipment (WEEE). When the product is no longer required, it must be disposed of in an environmentally protective way. Contact your local solid waste authority for recycling information.



BATTERY REMOVAL

Under the Waste Batteries and Accumulators Regulations 2009, Jack Sealey Ltd are required to inform potential purchasers of products containing batteries (as defined within these regulations), that they are registered with Valpak's registered compliance scheme. Jack Sealey Ltd Batteries Producer Registration Number (BPRN) is BPRN00705.

Note: It is our policy to continually improve products and as such we reserve the right to alter data, specifications and component parts without prior notice. Please note that other versions of this product are available. If you require documentation for alternative versions, please email or call our technical team on technical@sealey.co.uk or 01284 757505.

Important: No Liability is accepted for incorrect use of this product.

Warranty: Guarantee is 12 months from purchase date, proof of which is required for any claim.

Sealey Group, Kempson Way, Suffolk Business Park, Bury St Edmunds, Suffolk. IP32 7AR



01284 757500



sales@sealey.co.uk



www.sealey.co.uk