


Thank you for purchasing a Sealey Product. Manufactured to a high standard this product will, if used according to these instructions and properly maintained, give you years of trouble free performance.

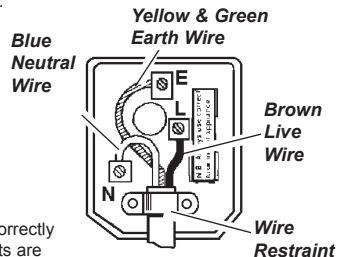


IMPORTANT: PLEASE READ THESE INSTRUCTIONS CAREFULLY. NOTE THE SAFE OPERATIONAL REQUIREMENTS, WARNINGS AND CAUTIONS. USE THIS PRODUCT CORRECTLY AND WITH CARE FOR THE PURPOSE FOR WHICH IT IS INTENDED. FAILURE TO DO SO MAY CAUSE DAMAGE AND/OR PERSONAL INJURY AND WILL INVALIDATE THE WARRANTY. PLEASE KEEP INSTRUCTIONS SAFE FOR FUTURE USE.

1. SAFETY INSTRUCTIONS

ELECTRICAL SAFETY.

- **WARNING!** It is the owner's responsibility to read, understand and comply as follows:
 - You must** check all electrical equipment and appliances to ensure they are safe before using.
 - You must** inspect power supply leads, plugs and all electrical connections for wear and damage.
 - You must** ensure the risk of electric shock is minimised by the installation of appropriate safety devices. An RCCB (Residual Current Circuit Breaker) should be incorporated in the main distribution board. We also recommend that an RCD (Residual Current Device) is used with all electrical products. It is particularly important to use an RCD together with portable products that are plugged into an electrical supply not protected by an RCCB. If in doubt consult a professional electrician. You may obtain a Residual Current Device by contacting your Sealey dealer.
 - You must** also read and understand the following instructions concerning electrical safety.
- 1.1.1 The Electricity At Work Act 1989 requires all portable electrical appliances, if used on business premises, to be tested by a qualified electrician at least once a year by using a Portable Appliance Tester (PAT).
- 1.1.2 The Health & Safety at Work Act 1974 makes owners of electrical appliances responsible for the safe condition of the appliance, and the safety of the appliance operator. If in doubt about electrical safety, contact a qualified electrician.
- 1.1.3 Ensure the insulation on all cables and the product itself is safe before connecting to the mains power supply. See 1.1.1. & 1.1.2. above and use a Portable Appliance Tester (PAT).
- 1.1.4 Ensure that cables are always protected against short circuit and overload.
- 1.1.5 Regularly inspect power supply, leads, plugs and all electrical connections for wear and damage, especially power connections, to ensure that none are loose.
- 1.1.6 Important: Ensure the voltage marked on the product is the same as the electrical power supply to be used, and that plugs are fitted with the correct capacity fuse.
- 1.1.7 DO NOT pull or carry the powered appliance by its power supply lead.
- 1.1.8 DO NOT pull power plugs from sockets by the power cable.
- 1.1.9 DO NOT use worn or damaged leads, plugs or connections.
 - Immediately replace or have repaired by a qualified electrician.
 - A U.K. 3 pin plug with ASTA/BS approval is fitted. In case of damage, cut off and fit a new plug according to the following instructions (discard old plug safely). (UK only - see diagram at right). Ensure the unit is correctly earthed via a three-pin plug.
 - a) Connect the green/yellow earth wire to the earth terminal 'E'.
 - b) Connect the brown live wire to live terminal 'L'.
 - c) Connect the blue neutral wire to the neutral terminal 'N'.
 - After wiring, check there are no bare wires, that all wires have been correctly connected and that the wire restraint is tight. Double insulated products are often fitted with live(BROWN) and neutral (BLUE) wires only. Double insulated products are always marked with this symbol . Check you model carefully to see which type of product you have. To re-wire a double insulated item connect the brown and blue wires as indicated above. DO NOT connect brown or blue to the earth terminal.
- 1.1.10 Cable extension reels. When a cable extension reel is used it should be fully unwound before connection. A cable reel with an RCD fitted is recommended since any product which is plugged into the cable reel will be protected. The section of the cable on the cable reel is important. This should be at least 1.5mm² section cable but to be absolutely sure that the capacity of the cable reel is suitable for this product and for others that may be used in the other output sockets, we recommend the use of 2.5mm² section cable.



FUSE RATING
 THIS PRODUCT MUST
 BE FITTED WITH A:
13 AMP FUSE

GENERAL SAFETY

- WARNING!** *Ensure Health & Safety, local authority and general workshop practice regulations are adhered to when using this equipment.*
- WARNING!** Disconnect from mains power before changing accessories, servicing or maintenance.
- ✓ Maintain the nailer in good condition (use an authorised service agent).
- ✓ Replace or repair damaged parts. *Use recommended parts only. Unauthorised parts may be dangerous and will invalidate the warranty.*
- ✓ Use this product in a suitable work area and keep area clean, tidy and free from unrelated materials. Ensure there is adequate lighting.
- WARNING!** Always wear approved eye or face protection when operating the nailer.
- ✓ Remove ill fitting clothing, ties, watches, rings, other loose jewellery, and contain and/ or tie back long hair.
- ✓ Wear appropriate protective clothing and keep hands and body clear of working parts.
- ✓ Maintain correct balance and footing. Ensure the floor is not slippery and wear non-slip shoes.
- ✓ Keep children and unauthorised persons away from the work area.
- X DO NOT use this product for a task it is not designed to perform.
- X DO NOT operate where flammable gasses or liquids are present.
- X DO NOT operate if any parts are damaged or missing. This may cause failure and/or injury.
- X DO NOT carry by the electrical cable.
- X DO NOT get the nailer wet or use in damp or wet locations.
- X DO NOT point at other persons or animals.
- X DO NOT operate if you are tired or under the influence of alcohol, drugs or intoxicating medication.
- X DO NOT carry the nailer with your finger on the power switch.
- ✓ When not in use disconnect from the mains power supply, remove the nails from the magazine and store in a safe, dry, childproof area.

2. INTRODUCTION AND SPECIFICATION

GS/TUV approved 230V electric nailer. Can take 15-32mm nails firing up to 20 per minute. Quick release magazine cover. Suitable for fastening a wide range of materials from upholstery to timber. Soft grip handle for comfort and control. Fitted with ASTA/BS approved non-rewirable plug.

Nail Capacity: 15-32mm **Weight:** 1.6kg

Replacement Nails (Packs of 1000):

.....AK7063.04 (15mm)
.....AK7063.05 (20mm)
.....AK7063.06 (25mm)
.....AK7063.07 (30mm)

3. OPERATING INSTRUCTIONS

LOADING NAILS

- 3.1.1 Ensure the nailer is **not** plugged into the mains while nails are being loaded.
- 3.1.2 Always keep nailer with the exit hole facing away from you, preferably towards the surface to be nailed.
- 3.1.3 Release loading mechanism by pressing the release button (Fig 1), Hold nailer firmly and be aware that the magazine will slide out under spring action.
- 3.1.4 Once the nails are loaded in the loading slot (with the points facing downwards towards the base) close the loading mechanism (Fig 2), making sure it is closed fully and the release button clips back into place.

USING THE NAILER

- 3.2 Grip the tool firmly and push the nail exit hole against the item to be nailed and squeeze the trigger.
Note: The nail exit hole must be pressed down firmly as this product is fitted with a safety device in the head which must be fully depressed before the nail will fire. If you are trying to nail a hard material such as wood you may find pressing down on the head of the tool with your free hand will improve the nail driving.

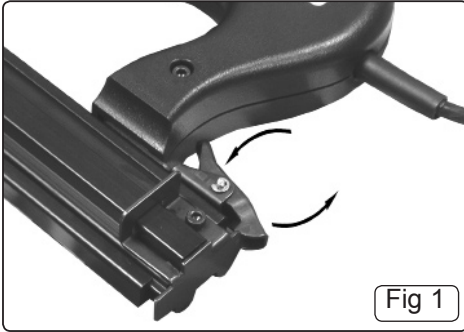


Fig 1

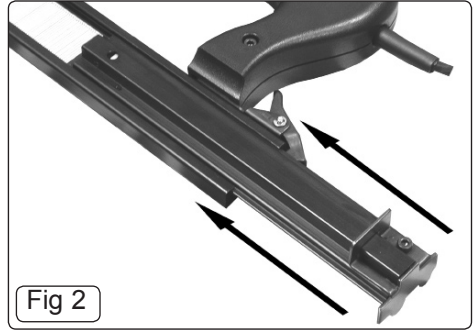


Fig 2

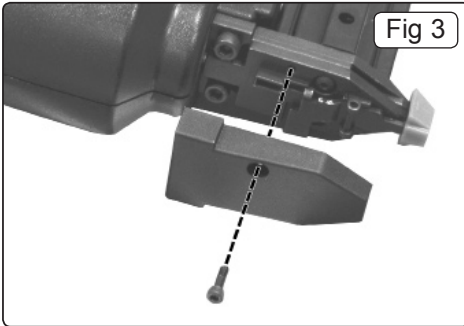


Fig 3

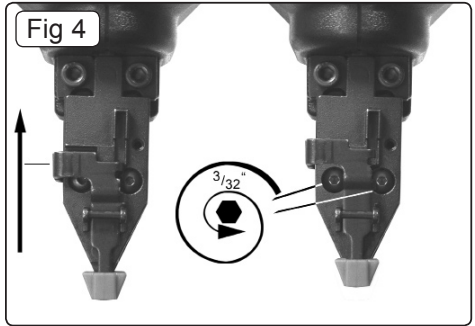


Fig 4

4. MAINTENANCE

- **WARNING!** Disconnect nailer from mains power supply before changing accessories, servicing or performing maintenance. Replace or repair damaged parts. *Use recommended parts only. Unauthorised parts may be dangerous and will invalidate the warranty.*
- 4.1 If the nailer jams, unplug from the power supply.
- 4.2 Open the loading mechanism and empty out all remaining nails.
- 4.3 Remove hex screw (3/32") and remove the plastic cover (Fig 3).
- 4.4 Proceed to lift safety latch, remove two more hex screws and pull away the metal guard (Fig 4) and free any obstructions.
- 4.5 Reassemble in reverse order carefully before plugging back into the power supply and resuming the task.

If nailer requires cleaning, use a clean cloth to remove dirt.

DO NOT use solvents when cleaning plastic parts.

DO NOT oil or grease any part of this tool.

All other service, maintenance and repairs must be carried out by an authorised service agent.

NOTE: It is our policy to continually improve products and as such we reserve the right to alter data, specifications and component parts without prior notice.

IMPORTANT: No liability is accepted for incorrect use of this product.

WARRANTY: Guarantee is 12 months from purchase date, proof of which will be required for any claim.

INFORMATION: For a copy of our latest catalogue and promotions call us on 01284 757525 and leave your full name and address, including postcode.



Sole UK Distributor, Sealey Group,
Kempson Way, Suffolk Business Park,
Bury St. Edmunds, Suffolk,
IP32 7AR



01284 757500



www.sealey.co.uk



01284 703534



sales@sealey.co.uk