



LOW LEVEL OIL DRAINERS 64LTR

MODELS: AK467D, AK467DXP

Thank you for purchasing a Sealey product. Manufactured to a high standard, this product will, if used according to these instructions, and properly maintained, give you years of trouble free performance.

IMPORTANT: PLEASE READ THESE INSTRUCTIONS CAREFULLY. NOTE THE SAFE OPERATIONAL REQUIREMENTS, WARNINGS & CAUTIONS. USE THE PRODUCT CORRECTLY AND WITH CARE FOR THE PURPOSE FOR WHICH IT IS INTENDED. FAILURE TO DO SO MAY CAUSE DAMAGE AND/OR PERSONAL INJURY AND WILL INVALIDATE THE WARRANTY. KEEP THESE INSTRUCTIONS SAFE FOR FUTURE USE.



Refer to instruction manual



Wear protective gloves



Wear eye protection



Wear protective clothing

1. SAFETY

- ✓ Replace damaged parts. Use recommended parts only. Unauthorised parts may be dangerous and will invalidate the warranty.
- ✓ Keep the drainer clean, dry and in good condition for best and safest performance.
- ✓ Wear appropriate protective clothing and eye protection.
- ✓ If it is necessary to raise the vehicle ensure that it is properly supported. If the vehicle has been raised with a jack, axle stands must be put in place before working under the vehicle.
- ✓ Remove the oil drainer and other tools and equipment from underneath the vehicle before lowering it again.
- ✓ Use drainer in a suitable work area. Keep area clean and tidy, and free from unrelated materials and ensure that there is adequate lighting.
- ✓ The work area should have a flat and level surface capable of supporting the weight of the drainer and it's contents.
- ✗ **DO NOT** position the drainer in such a way that it becomes a hazard to others in the work area.
- ✓ Ensure that the floor is not slippery and wear non-slip shoes.
- ✓ Keep children and unauthorised persons away from the work area.
- ✓ Dispose of waste liquids in accordance with local authority regulations.
- ❑ **WARNING! DO NOT** allow uncontrolled discharge of fluids which would pollute the environment.
- ✗ **DO NOT** use the drainer in wet or damp areas or where condensation is present.
- ✗ **DO NOT** use the drainer near open flames or other sources of heat.
- ❑ **WARNING!** If draining the oil whilst hot, take precautions to prevent against burns, particularly hands, wrists and arms.

2. INTRODUCTION

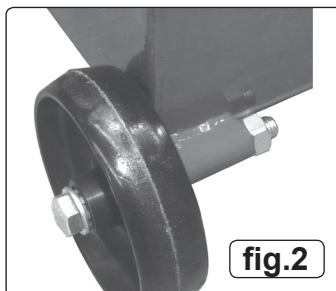
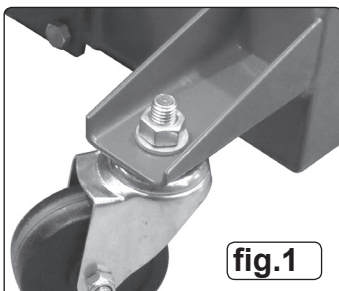
Low level drainers suitable for use on the forecourt and workshop floor. Steel fabricated unit with a capacity of 64ltr. Fitted with gravity drain tap for manual discharge. Model No. AK467DXP fitted with rotary pump and 2.5m hose for faster discharge. Fully portable with two castors, two fixed wheels and handle for manoeuvring around the workshop.

3. SPECIFICATION

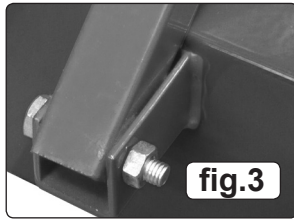
Model No:	AK467D	AK467DXP
Capacity:	64ltr	64ltr
Maximum Pan Height:	285mm	285mm
Gravity Feed:	Yes	Yes
Gravity Discharge:	Yes	Yes
Pump Discharge:	No	Yes
Nett weight	14.77kg	20.97kg

4. ASSEMBLY

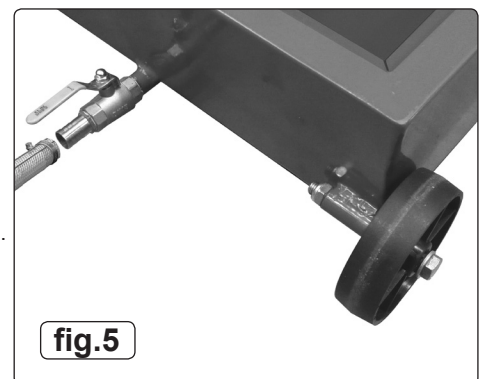
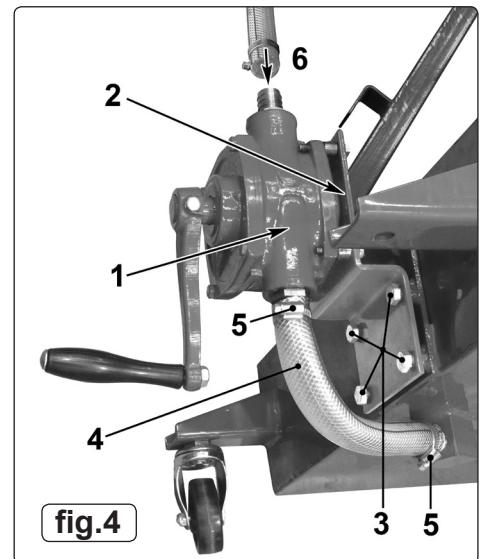
- 4.1. **CASTOR WHEELS (fig.1).** Bolt a castor wheel to each of the projecting brackets either side of the handle mount using the M12 nuts and washers provided.
 - 4.2. **FIXED WHEELS (fig.2).** Insert the special axle bolts through each wheel so that the wheel is running on the roller bearing. Mount each wheel by pushing the axle bolt through each of the tubular axle mounts welded to the back, bottom edge of the casing. Secure each axle bolt with the M12 lock nuts provided.
- ✗ **DO NOT** over tighten.



- 4.3. **HANDLE (fig.3)** Place the handle into the central bracket situated on rear edge. Align the holes and pass the Ø8mm x 40 bolt through both parts and secure with the M8 nut provided.



- 4.4. **PUMP (AK467dxd only) fig.4** The pump (1) comes attached to the pump bracket (2). Attach the pump bracket to the castor end of the oil drainer in the position indicated above using the four M8 x 16mm bolts (3) provided. Each bolt must have a split lock washer under the head and should be tightened using a 14mm spanner.
- 4.5. Connect the sump outlet to the underside of the pump using the short length of tube provided. Slide the worm drive clips provided over the tube first then push the tube onto the fittings and secure with the worm drive clips (fig.4.6). Place the black filter screen into the shallow recess in the top of the pan.



5. OPERATION

5.1. PREPARATION

- 5.1.1. When positioning the drainer ensure that there are no spills of oil on the floor both prior to draining and afterwards. All spills should be cleaned up immediately to prevent them becoming a slipping hazard.
- 5.1.2. When positioning the drainer beneath the vehicle consideration should be given to accessing the sump plug. If necessary loosen the plug before siting the drainer. Remember that once the sump plug has been removed the escaping oil may be hot.

5.2. COLLECTION OF WASTE OIL

- 5.2.1. If unit has been used to drain a previous vehicle check to ensure that there is sufficient spare capacity within the pan before you drain the next vehicle.
- 5.2.2. Place the pan under the vehicle's sump, remove the sump plug and put to one side.
- 5.2.3. Allow the engine to drain.
- 5.2.4. When draining is complete, remove the pan and wipe up any spillage. Remember to replace and tighten the sump plug using a new sump washer.

5.3. EMPTYING OF WASTE OIL FROM PAN UNIT

- ☐ **WARNING!** Dispose of all waste in accordance with local regulations.
- 5.3.1. **GRAVITY DISCHARGE (AK467D)** Attach the discharge hose to the outlet valve at the rear end of the drainer and secure it with the worm drive clip provided. See fig.5. Place the other end of the pipe into a suitable container set at a lower level than the drainer pan and open the outlet valve. When the drainer pan is empty close the valve.
- 5.3.2. **MANUAL PUMP DISCHARGE (AK467DXP)** Attach the discharge hose (see fig.4) to the outlet connection on the top of the pump and secure it with the worm drive clip provided. Place the other end of the pipe into a suitable container and proceed to turn the pump handle clockwise until empty.
- 5.4. After use thoroughly clean the exterior of the drainer and clear up any spills in the work area. Store the drainer in a suitable clean dry place where it will not be a hazard.

ENVIRONMENT PROTECTION



Recycle unwanted materials instead of disposing of them as waste. All tools, accessories and packaging should be sorted, taken to a recycling centre and disposed of in a manner which is compatible with the environment. When the product becomes completely unserviceable and requires disposal, drain any fluids (if applicable) into approved containers and dispose of the product and fluids according to local regulations.

Note: It is our policy to continually improve products and as such we reserve the right to alter data, specifications and component parts without prior notice.

Important: No Liability is accepted for incorrect use of this product.

Warranty: Guarantee is 12 months from purchase date, proof of which is required for any claim.

Sealey Group, Kempson Way, Suffolk Business Park, Bury St Edmunds, Suffolk. IP32 7AR



01284 757500



01284 703534



sales@sealey.co.uk



www.sealey.co.uk