

Thank you for purchasing a Sealey product. Manufactured to a high standard this product will, if used according to these instructions and properly maintained, give you years of trouble free performance.



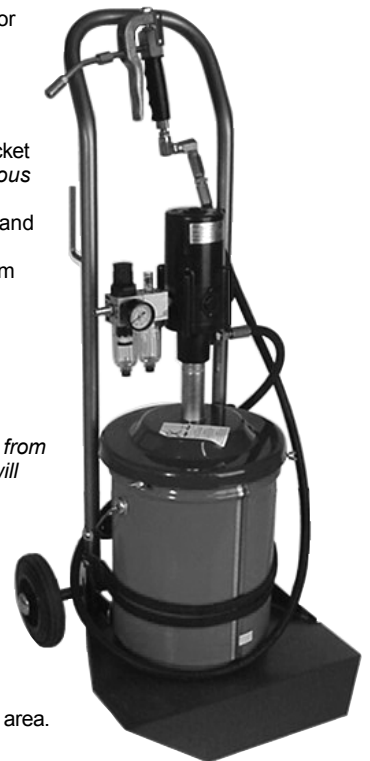
IMPORTANT

PLEASE READ THESE INSTRUCTIONS CAREFULLY. NOTE THE SAFE OPERATIONAL REQUIREMENTS, WARNINGS AND CAUTIONS. USE THIS PRODUCT CORRECTLY AND WITH CARE FOR THE PURPOSE FOR WHICH IT IS INTENDED. FAILURE TO DO SO MAY CAUSE DAMAGE, OR PERSONAL INJURY, AND WILL INVALIDATE THE WARRANTY. RETAIN THESE INSTRUCTIONS FOR FUTURE USE.

1. SAFETY INSTRUCTIONS

fig.1 (AK452X.V2 illustrated)

- WARNING!** Disconnect the grease gun from the air supply before changing accessories, servicing or performing and maintenance.
- WARNING!** Ensure correct air pressure is maintained and not exceeded. Recommended pressure 6bar/90psi.
- Maintain pump in good condition (use an authorised service agent).
- Replace or repair damaged parts. Check the grease bucket to ensure it is not damaged. A damaged bucket will cause the follower plate to jam. *Use recommended parts only. Non authorised parts may be dangerous and will invalidate the warranty.*
- Wear appropriate protective clothing. When handling lubricants refer to manufacturer's instructions and conform to local regulations.
- Use the pump in an appropriate working area for its function. Keep area clean and tidy and free from unrelated materials and ensure there is adequate lighting.
- Keep air hose away from heat, oil and sharp edges. Check air hose for wear before each use, and ensure that all connections are secure.
- Maintain correct balance & footing. Ensure floor is not slippery, wear non slip shoes.
- Keep children and unauthorised persons away from the working area.
- Dispose of waste grease in accordance with local authority regulations.
- WARNING!** Turn off air supply and de-pressurise the control nozzle before removing the pump unit from any installation or mobile system. Failure to comply with this instruction may damage the unit and will invalidate your warranty.
- When not in use ensure the air supply is turned off.
- DO NOT allow unauthorised persons to operate the pump.
- WARNING!** DO NOT tamper with or open pump unit. To do so will invalidate your warranty.
- DO NOT point grease gun at yourself or other persons or animals.
- DO NOT pull the grease gun unit by the hoses, or yank the hose from the air supply.
- DO NOT force the pump to achieve a task it was not designed to perform.
- DO NOT operate the pump when you are tired, under the influence of alcohol, drugs or intoxicating medication.
- When not in use, disconnect the unit from the air supply. Clean the unit and store in a dry, safe, childproof area.



2. DESCRIPTION & APPLICATION

- 2.1. Description.** These units of well proven design have a highly efficient trouble free 50:1 air motor. Supplied with safety regulator to prevent over pressure in the pump unit. The units are also fitted with a follower plate to prevent cavitation of grease and ensure a smooth flow. Both models include SAE100R2AT rated grease hose, Z-swivel, hand-gun and bucket trolley.
- 2.2. Application.** The AK452X.V2 and AK453X.V2 are designed for use with most popular multipurpose greases to NLGI No.2 specification made with light to medium base oil viscosities. The flow rate (delivery) performance will vary dependant upon the lubricant viscosity, temperature, and additives, and on the pipelines used.
- IMPORTANT:** For effective and extended operating life of the unit an air regulator (air line oiler and moisture separator) is included with your grease gun. The regulator must be connected to the unit as described in the assembly instructions. The operating pressure may vary between 3.0bar minimum to 8.0bar maximum. We recommend that the operating pressure is set to 6.0BAR/90psi to avoid damaging unit & to prevent any leakage in the delivery lines. Ensure only air operated grease flexi hoses are used with this equipment.

3. SPECIFICATIONS

Ratio (AK452X.V2 & AK453X.V2)50:1	Air consumption400ltr/min	Shank length AK453X.V2700mm
Maximum air pressure150psi	Max. delivery performance . .1100g/minute	External shank DIA35mmØ
Operating air pressure120psi	Air inlet1/4" Female BSP	Bucket capacity AK452X.V212.5kg
Minimum air pressure43.5psi	Material outlet1/4" Female BSP	Bucket capacity AK453X.V250.0kg
Max. delivery pressure6000psi	Shank length AK452X.V2450mm	

4. CONTENTS

4.1. Contents: Remove items from carton and identify pieces from contents list below and fig.2 overleaf. Contact your supplier immediately if any pieces are missing or damaged.

- | | | | |
|--------------------|----------------------------|---------------------|----------------------------------|
| (A) Follower plate | (E) Grease hose | (L) Pressure gauge. | (X) Grease bucket (not included) |
| (B) Shaft guide | (G) Grease outlet | (O) Air oiler | (Y) Grease gun |
| (C) Dust cover | (H) 1/4 bsp male connector | (P) Pump | (Z) Z-swivel |
| (D) Pump shaft | (J) Air line connector. | (R) Air regulator | Trolley (not illustrated). |

5. ASSEMBLY & INSTALLATION

5.0 Installation. (Refer to fig.2)

- **WARNING!** Clean new delivery lines ensuring all metal shavings have been removed before connecting the pump and control valves. Any dirt in the inlet hoses will damage the unit and may invalidate your warranty.
- 5.1 Place the grease bucket (X) onto the platform of the trolley and push it back until it touches the two stops provided. Secure the container to the trolley using the straps provided. (see fig.1)
- 5.2 Remove the original lid supplied with the grease bucket and store it for future use.
- 5.3 Introduce the follower plate (A) into the top of the grease bucket (X) and settle it down onto the surface of the grease.
- 5.4 Take the three legged shaft guide (B) and loosen all six butterfly nuts. Adjust the length of the legs to suit the size of the grease bucket. Place the shaft guide onto the rim of the grease bucket and align the central hole with the hole in the follower plate below. When aligned tighten all the butterfly nuts ensuring that those at the end of the legs have caught under the rim of the bucket.
- 5.5 Slide the circular lid (C) onto the shaft of the pump as far as it will go.
- 5.6 Lift the pump and lid over the grease bucket and allow the shaft to pass through the shaft guide and follower plate and sink down to the bottom of the bucket. Let the lid slide down the shaft to cover the top of the bucket.
- 5.7 Connect the in-line air regulator (R) and air oiler (O) together using the long bolts and nuts provided. (The nuts slide into the recesses in the front and back of the regulator body.) Ensure that the air flow arrows moulded into the top of each unit body are pointing in the same direction and that both arrows are pointing towards the pump air inlet. The air oiler should be situated between the air regulator and the pump as indicated in fig.2.
- 5.8 Screw the circular pressure gauge (L) into whichever side of the air regulator is most convenient for reading. Seal the unused mounting position using the blanking plug provided.
- 5.9 Connect the regulator assembly to the pump air inlet using the 1/4" bsp fitting provided (H).
- 5.10 Connect the 'Z' swivel assembly (Z) to the grease gun (Y) and connect the grease hose (E) to the 'Z' swivel. Connect the other end of the grease hose to the grease outlet on the pump (G).

Note: We recommend that PTFE sealing tape is used on all connections.

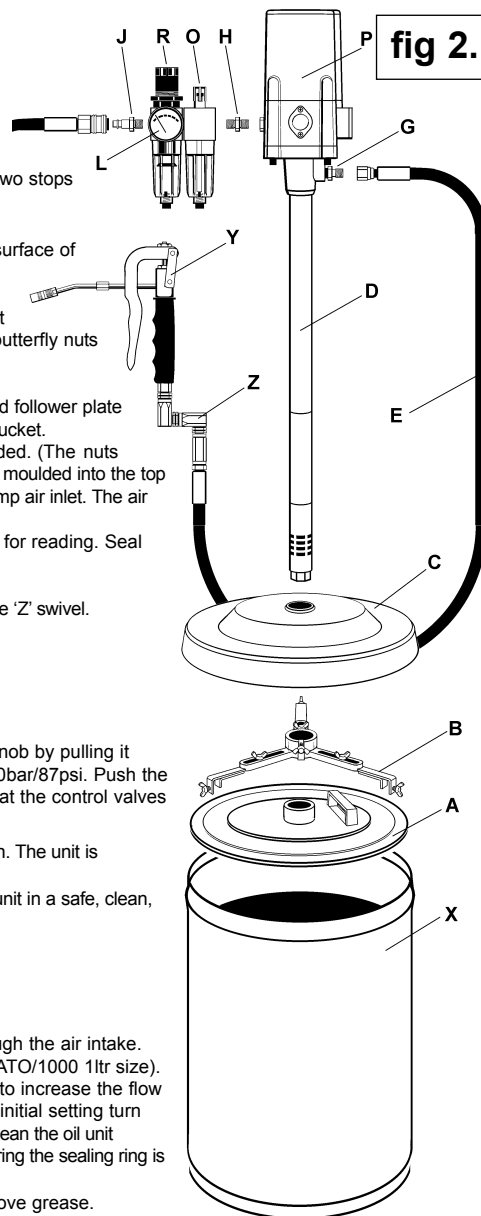


fig 2.

6. OPERATING INSTRUCTIONS

- 6.1 Turn the air pressure on and check to ensure there are no leaks in the system.
- 6.2 Adjust the air pressure using the knob on the top of the air regulator (fig 2. item R). Unlock the knob by pulling it upwards and then turning it until the gauge indicates the recommended operating pressure of 6.0bar/87psi. Push the knob down again to lock it. It is important to maintain the correct operating pressure to ensure that the control valves and connectors are not damaged, and to prevent leakage in the delivery lines.
- 6.3 Prime unit by operating grease control valve (fig 2. item Y) until lubricant emerges from end of the gun. The unit is now ready for use.
- 6.4 When not in use, turn the air supply off and disconnect the unit from the air supply. Store the grease unit in a safe, clean, dry, childproof area.

7. MAINTENANCE

- **WARNING!** Disconnect the pump from the air line before attempting any service or maintenance.
- 7.1. **Air line lubricator (fig.2 item O).** This unit is designed to automatically lubricate the pump through the air intake. The unit must be kept topped up with good quality air oil (our reference: ATO/500 500ml size or ATO/1000 1ltr size). To adjust the oil flow turn the oil regulator screw on the top of the unit. Turn screw anticlockwise to increase the flow and clockwise to decrease flow. The oil supply required to lubricate the pump is minimal. For an initial setting turn adjusting screw on the top of the unit fully home and then open by 1/4 of a turn. To change and clean the oil unit unscrew the bowl and retain the sealing ring. Empty, clean and re-fill to maximum line and replace ensuring the sealing ring is fitted correctly. Do not over tighten the bowl. Contact your Sealey dealer for parts and information.
- 7.2. **Cleaning.** Clean pump and air units with clean damp cloth. Mild detergents may be used to remove grease. DO NOT use solvents or abrasives and do not get the pump or air units wet.
- **WARNING!** When exchanging a polycarbonate bowl ensure the suction tube is protected to avoid dirt particles being transmitted to a new bowl. Always clean new delivery lines ensuring all metal shavings have been removed before connecting the pump and control valves. Failing to do so may damage the unit and will invalidate your warranty.

8. TROUBLE SHOOTING

THE PROBLEM	THE CAUSE	THE SOLUTION
1. Air motor runs slowly or not at all	1.1. Air pressure is too low. 1.2. Muffler or filter is blocked or dirty.	1.1. Adjust air pressure to a minimum of 3bar. 1.2. Remove muffler (part No.20) and/or filter (part No.11), clean and replace.
2. Air motor is running but pump is too slow or not working at all.	2.1. Grease filter is blocked. 2.2. Grease is too stiff. 2.3. Air pockets in grease container. 2.4. Grease container dented.	2.1. Remove and clean filter. (part No. 41) 2.2. Remove drum to warmer area allow temp of grease to rise above 15°C 2.3. Viscosity too high. Temperature must be above 15°C. Then compact the grease by pushing the follower plate down. 2.4. Push the follower plate down past the dented area of the container.
3. Air motor is running but no pressure is generated.	3.1. 'O' rings, washers or valves within pump are damaged or dirty	3.1. Clean or replace the relevant components. Servicing by an approved Sealey dealer is recommended
4. Air escapes from the muffler when the pump is not operating	4.1. The plunger is damaged. 4.2 The 'O' rings or the distributor seal are damaged.	4.1. Replace plunger. (part No.5) Servicing by an approved Sealey dealer is recommended. 4.2 Replace parts (part No.19.6) using complete repair kit.

Declaration of Conformity We, the sole UK distributor, declare that the products listed below are in conformity with the following EEC standards and directives

**Air Operated Grease Guns
Models AK452X.V2 & AK453X.V2**

98/37/EC Machinery Directive



The construction files for these products are held by the Manufacturer and may be inspected by a national authority by contacting Jack Sealey Ltd

Signed by Mark Sweetman

20th August 2001

For Jack Sealey Ltd. Sole distributor in the UK of Sealey Power Products