



# BUCKET GREASE PUMP TROLLEY 15KG

MODEL NO: AK451X

Thank you for purchasing a Sealey product. Manufactured to a high standard, this product will, if used according to these instructions, and properly maintained, give you years of trouble free performance.

**IMPORTANT:** PLEASE READ THESE INSTRUCTIONS CAREFULLY. NOTE THE SAFE OPERATIONAL REQUIREMENTS, WARNINGS & CAUTIONS. USE THE PRODUCT CORRECTLY AND WITH CARE FOR THE PURPOSE FOR WHICH IT IS INTENDED. FAILURE TO DO SO MAY CAUSE DAMAGE AND/OR PERSONAL INJURY AND WILL INVALIDATE THE WARRANTY. KEEP THESE INSTRUCTIONS SAFE FOR FUTURE USE.



Refer to instruction manual



Wear protective gloves



Wear eye protection



Wear protective clothing

## 1. SAFETY

- WARNING! DO NOT** tamper with or open pump unit. To do so will invalidate your warranty.
- Maintain pump in good condition (use an authorised service agent).
- DO NOT** use if damaged, replace or repair damaged parts. Check the grease bucket to ensure it is not damaged. A damaged grease bucket will cause the follower plate to jam.
- Use recommended parts only. Non authorised parts may be dangerous and will invalidate the warranty.
- Wear appropriate protective clothing. When handling lubricants refer to manufacturer's instructions and conform to local regulations.
- Use the pump in an appropriate working area for its function. Keep area clean and tidy and free from unrelated materials and ensure there is adequate lighting.
- Keep hose away from heat, oil and sharp edges. Check air hose for wear before each use, and ensure that all connections are secure.
- Maintain correct balance & footing. Ensure floor is not slippery, wear non slip shoes.
- Keep children and unauthorised persons away from the working area.
- Dispose of waste grease in accordance with local authority regulations.
- When not in use, disconnect the unit. Clean the unit and store in a dry, safe, childproof location.
- DO NOT** allow unauthorised persons to operate the pump.
- DO NOT** point grease gun at yourself, other persons or animals.
- DO NOT** pull the grease pump unit by the hose.
- DO NOT** force the pump to achieve a task it was not designed to perform.
- DO NOT** operate the pump when you are tired, under the influence of alcohol, drugs or intoxicating medication.

## 2. INTRODUCTION

15kg bulk fill capacity ideal for frequent dispensing of large quantities of grease. 2.2m high pressure hose with extension and coupler. Powerful 5000psi working pressure. Air valve for easy priming. Ideal for workshop, agriculture, machinery and automotive use.

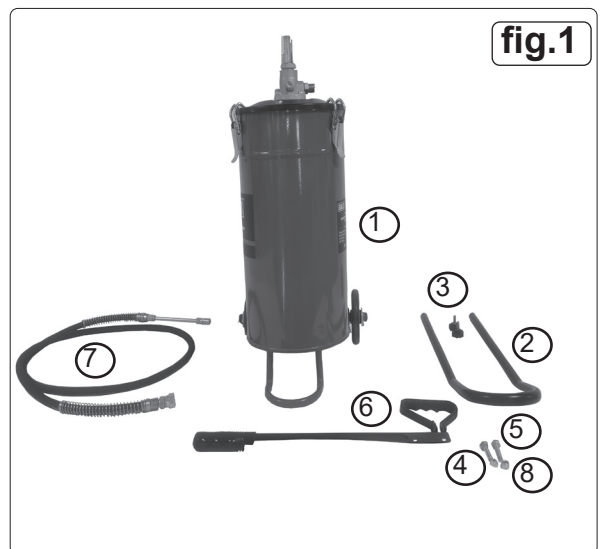
## 3. SPECIFICATION

Model No	AK451X
Delivery per Stroke	3cm <sup>3</sup>
Delivery Pressure	5000psi
Hose Length	2.2m
Nett Weight	9.42kg

## 4. CONTENTS

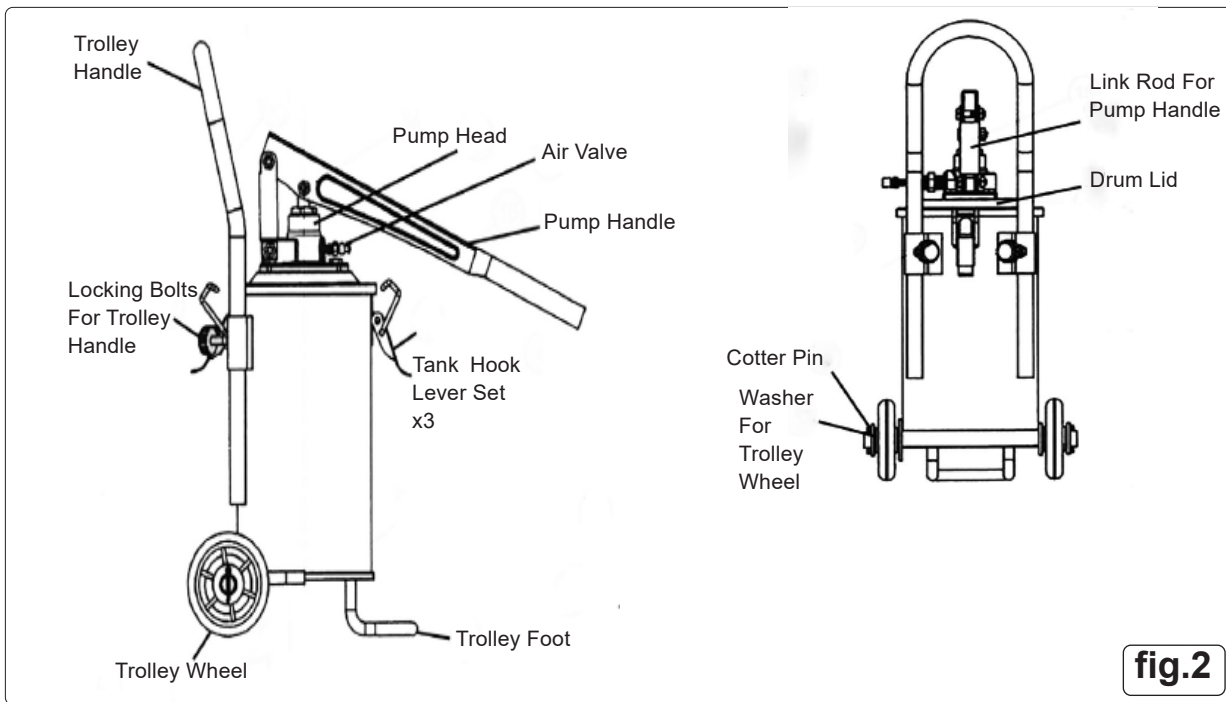
Remove items from carton and identify pieces from fig.1 and contact your Sealey stockist immediately if any pieces are missing or damaged.

1	Tank assembly
2	Trolley handle
3	Locking bolts for trolley handle
4	Short 30mm M8 pump handle bolt (front)
5	Long 38mm M8 pump handle bolt (rear)
6	Pump handle, secondary handle goes to the rear bolted with 38mm M8
7	Grease hose (connector 22mm)
8	M8 nuts x2



## 5. ASSEMBLY

Identify parts from fig.1 and fig.2 and assemble. **NOTE:** The handle bolts are of different lengths so as to incorporate the second section handle.



## 6. OPERATION

### 6.1. FILLING THE DRUM (fig.2)

- 6.1.1. Loosen the tank hook lever set on the drum.
- 6.1.2. Lift the lid along with the pump head assembly.
- 6.1.3. Clean the inside of drum including head assembly and fill with grease.
- 6.1.4. Then replace the pump head assembly and tighten the tank hook levers.
- 6.1.5. Shake the drum a little to settle the grease inside.

### 6.2. PUMP OPERATION

- 6.2.1. In order to operate, pump the handle up and down approximately fifteen to twenty strokes as the hose will be empty.
- 6.2.2. Place the nozzle on the greasing point. Then pump handle until the handle and lubricant will be forced into the greasing point.
- 6.2.3. When removing the nozzle from the greasing point. **DO NOT** remove the nozzle in a straight position. Remove slanting at an angle of fifteen to twenty degrees. This will increase the life of the nozzle.

**WARNING!** Never put spilled grease from the floor back into the container as particles of grit may have contaminated the grease and damage the internal parts of the pump. (The internals of the pump have fine limits and have to control high pressures).

## 7. MAINTENANCE

- 7.1. The unit must remain clean, especially the high pressure grease hose.
- 7.2. Replace any defective parts from your Sealey stockist.
  - \* **DO NOT** clean with solvents.

## 8. TROUBLESHOOTING

### 8.1. AIR TRAPPED INSIDE THE PUMP

- 8.1.1. To release the trapped air, unscrew the air valve while pumping until grease comes out.
- 8.1.2. Then tighten the air valve again, check that it is now operational.
- 8.1.3. Shake the drum a little in order to settle/ compress the grease.



### ENVIRONMENT PROTECTION

Recycle unwanted materials instead of disposing of them as waste. All tools, accessories and packaging should be sorted, taken to a recycling centre and disposed of in a manner which is compatible with the environment. When the product becomes completely unserviceable and requires disposal, drain any fluids (if applicable) into approved containers and dispose of the product and fluids according to local regulations.



REGISTER YOUR PURCHASE HERE

**Note:** It is our policy to continually improve products and as such we reserve the right to alter data, specifications and component parts without prior notice.

**Important:** No Liability is accepted for incorrect use of this product.

**Warranty:** Guarantee is 12 months from purchase date, proof of which is required for any claim.

Sealey Group, Kempson Way, Suffolk Business Park, Bury St Edmunds, Suffolk. IP32 7AR

01284 757500

sales@sealey.co.uk

www.sealey.co.uk