

3. MAINTENANCE

3.1. CHANGING THE BULB

- ❑ **WARNING!** Ensure the spotlight is turned off and the lens has cooled prior to changing the bulb.
 1. Remove the hood from the spotlight.
 2. Carefully lift the hood and reflector assembly revealing the spring clip (fig. 6.1.) and three wires.
 3. Disconnect the three wires (fig. 6.2.). Make a note which wires connect to which terminal.
 4. Remove the spring clip (fig. 6.1.).
 5. Pull bulb (fig.6.3) outward from the reflector.
 6. Hold the new bulb with a lint free cloth, (do not handle the bulb), and install by reversing the above procedure.

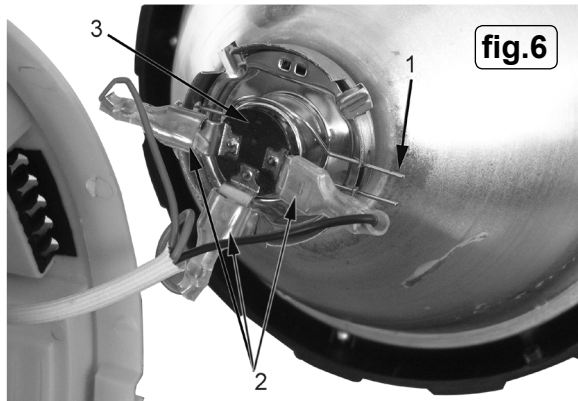


fig.6

3.2. CHANGING THE BATTERY

- ❑ **WARNING!** Ensure you read, understand and apply safety instructions relating to the battery before changing.
 1. Remove the rear rubber seal by way of the polymer knobs either side (fig. 1B). Unscrew them counter clockwise.
 2. Remove battery braces with phillips screwdriver.
 3. Securely grip the exposed end of the battery and carefully slide it a few inches out of the housing (fig. 8).
 4. Disconnect the battery terminal wires. Remove the black negative wire first.
 - ❑ **WARNING!** Beware of causing a short circuit.
 5. Carefully remove the battery.
 6. Replace with genuine Sealey battery and install by reversing the above procedure.
 - Notes:** a) Take care not to pinch or cross-connect any wires.
 - b) When replacing rear rubber seal make sure that both knobs are secure.
 7. Dispose of old batteries in accordance with local authority lead-acid battery regulations. **DO NOT** dispose of with regular refuse.

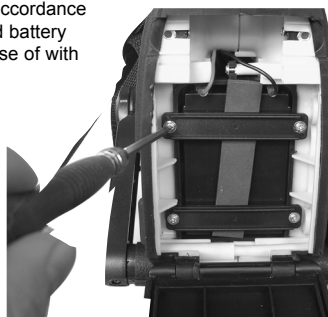


fig.7

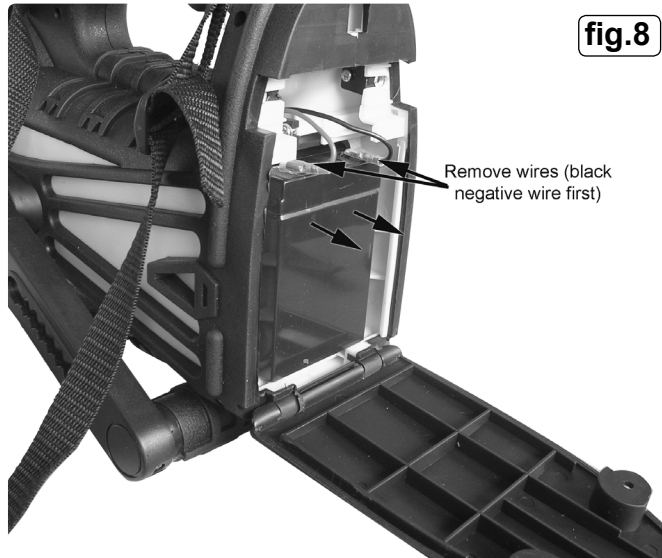


fig.8

Environmental Protection.

- Recycle unwanted materials instead of disposing of them as waste. All tools, accessories and packaging should be sorted, taken to a recycle centre and disposed of in a manner which is compatible with the environment.
- When the product is no longer required, it must be disposed of in an environmentally protective way.

NOTE: It is our policy to continually improve products and as such we reserve the right to alter data, specifications and component parts without prior notice. **IMPORTANT:** No liability is accepted for incorrect use of this equipment. **WARRANTY:** Guarantee is 12 months from purchase date, proof of which will be required for any claim. **INFORMATION:** For a copy of our latest catalogue and promotions call us on 01284 757525 and leave your full name and address, including postcode.

Sole UK Distributor, Sealey Group, Kempson Way, Suffolk Business Park, Bury St. Edmunds, Suffolk, IP32 7AR

01284 757500 01284 703534

sales@sealey.co.uk www.sealey.co.uk

SEALEY INSTRUCTIONS FOR: RECHARGEABLE SPOTLIGHT 10,000,000 CANDLE POWER MODEL No: AK438.V2

Thank you for purchasing a Sealey Product. Manufactured to a high standard this product will, if used according to these instructions and properly maintained, give you years of trouble free performance.

IMPORTANT: PLEASE READ THESE INSTRUCTIONS CAREFULLY. NOTE THE SAFE OPERATIONAL REQUIREMENTS, WARNINGS AND CAUTIONS. USE THIS PRODUCT CORRECTLY AND WITH CARE FOR THE PURPOSE FOR WHICH IT IS INTENDED. FAILURE TO DO SO MAY CAUSE DAMAGE AND/OR PERSONAL INJURY AND WILL INVALIDATE THE WARRANTY. PLEASE KEEP INSTRUCTIONS SAFE FOR FUTURE USE.

1. SAFETY INSTRUCTIONS

1.1. GENERAL

- ✓ Ensure the spotlight is correctly charged before initial use.
- ✓ When fully charged and on full beam, the spotlight must not be used for more than 15 minutes of continuous use. To do so may damage the lamp.
- ❑ **WARNING!** The lens becomes very hot during operation.
 - x **DO NOT** cover or block the lens during use.
 - x **DO NOT** turn the spotlight on when it is being re-charged.
 - x **DO NOT** shine directly into your, other person's or animal's eyes.
 - x **DO NOT** stand the spotlight near any surface or item that may be adversely effected by the heat emitted from the lens.
- x **DO NOT** allow children to use the spotlight.
- x **DO NOT** handle or move the spotlight whilst it is being charged.
- x **DO NOT** use the spotlight if you suspect that the battery or the spotlight casing is damaged.
- x **DO NOT** handle spotlight bulb with your fingers. Use a soft lint-free cloth.
- ✓ Ensure that genuine and correctly rated battery and bulb are used for replacements.
- ✓ When not in use store the spotlight in a safe, dry, childproof location.

1.2. BATTERY SAFETY

DANGER! - BE AWARE, LEAD-ACID BATTERIES MAY BE DANGEROUS IF NOT HANDLED WITH CARE AND ACCORDING TO THESE INSTRUCTIONS.

- ✓ Before exposing the battery for replacement, remove personal metallic items such as rings, bracelets, necklaces and watches. A lead-acid battery can produce a short-circuit current high enough to weld a ring to metal, which would cause severe burns.
- x **DO NOT** smoke or allow a spark or flame in the vicinity of the battery.
- ✓ Ensure the charger is switched off and disconnected from the spotlight before attempting to open the lamp unit.
- ✓ If the battery wire terminals are corroded or dirty, clean them before replacing battery.
- x **DO NOT** dis-assemble the battery for any reason.
- ❑ **WARNING! DO NOT** allow metal tools to touch both battery terminals simultaneously. Arcing or short circuit will result.
- x **DO NOT** allow battery wires to touch each other or to make contact with any other metallic part.
- x **DO NOT** cross-connect wires to the battery as this will damage the unit. Ensure positive (+) (RED) is to positive and negative (-) BLACK is to negative.
- x **DO NOT** leave battery in a discharged state, recharge battery immediately.
- ✓ If the spotlight is not in use, recharge the battery every three months.
- ✓ Dispose of the old battery in accordance with local authority acid battery regulations. **DO NOT** dispose of with regular refuse.

1.3. ELECTRICAL SAFETY.

USE ONLY THE SUPPLIED CHARGER PLUG FOR CONNECTING SPOTLIGHT TO THE POWER SUPPLY.

ONLY USE THE SUPPLIED ADAPTOR FOR CONNECTING TO A VEHICLE 12V SOCKET.

❑ **WARNING!** It is the user's responsibility to read, understand and comply with the following electrical instructions:

You must ensure the risk of electric shock is minimised by the installation of appropriate safety devices. An RCCB (Residual Current Circuit Breaker) should be incorporated in the main distribution board. We also recommend that an RCD (Residual Current Device) is used with all electrical products, particularly portable equipment which is plugged into an electrical supply not protected by an RCCB.

You must also read and understand the following instructions concerning electrical safety.

1.3.1. The Electricity At Work Act 1989 requires all portable electrical appliances, if used on business premises, to be tested by a qualified electrician, using a Portable Appliance Tester (PAT), at least once a year.

1.3.2. The Health & Safety at Work Act 1974 makes owners of electrical appliances responsible for the safe condition of the appliance and the safety of the appliance operator. **If in any doubt about electrical safety, contact a qualified electrician.**

1.3.3. You must ensure that you:

- ✓ Inspect the charger plug, cable and connector for wear and damage to ensure items are safe before connecting to the mains power supply. If worn or damaged **DO NOT** use.
- ✓ Check cables are always protected against short circuit and overload.
- ✓ Important: Check that the voltage marked on the charger plug is the same as the power supply to be used.
- ✓ Uncoil the cable between charger and the spotlight.
- x **DO NOT** pull the charger plug from the mains socket by the lead.
- x **DO NOT** use any other type of charger with this product.
- x **DO NOT** place the connector of either charger (12V DC vehicle or mains adaptor) into any area of the spotlight except the appropriate jack inlet socket.
- x **DO NOT** try to take the charger plug apart.
- x **DO NOT** use the charger plug to charge or power any other electrical item.
- x **DO NOT** get the charger wet, or use in wet, damp conditions (for indoor use only).
- ❑ **WARNING! NEVER** substitute a standard 13amp 3 pin plug, or any other type of plug, for the charger plug.

2. INTRODUCTION & OPERATION

2.1. INTRODUCTION

Composite bodied spotlight with carry handle. Integral stand keeps lens and battery case off the floor and permits light to be directed where it is needed. Ø180mm Lens with halogen bulb produces ten million candle power of intense white light, suitable for a variety of industrial, domestic and leisure applications. Powered by 12V 7Ah sealed lead acid battery. Supplied with carry strap, in-car charging cable and 230 - 12Volt battery charger pack.

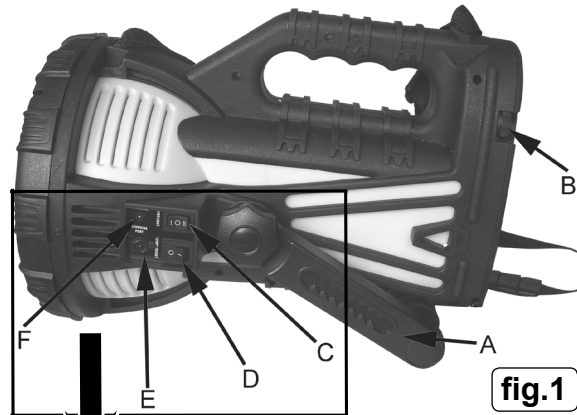


fig.1

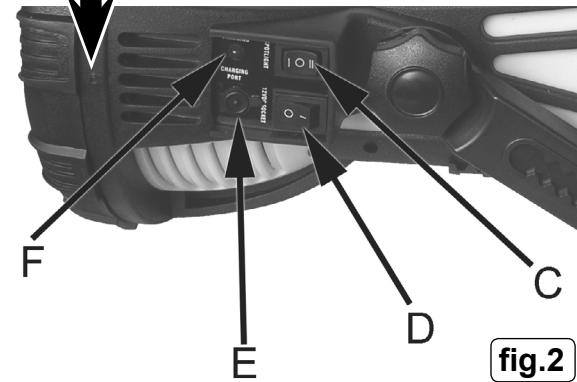


fig.2

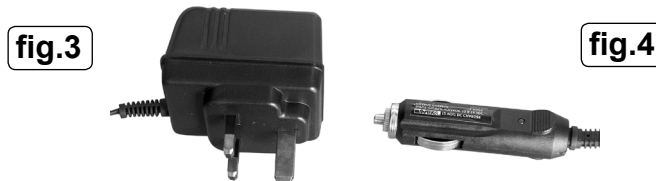


fig.3

fig.4



fig.5

2.2. OPERATION

❑ **WARNING!** Ensure you read and understand safety instructions before use.

Reminder: This spotlight is designed for intermittent use only. Continuous use may damage the unit.

1. Charge the battery before use. **IMPORTANT:** Turn off spotlight while charging. Failure to do so will damage the charger plug/vehicle plug.
2. Turn spotlight 'On' and 'Off' by the the rocker switch (fig. 2C) one bar is the high intensity spotlight and two bars is the low intensity flood light
3. The spotlight has a fixed carrying handle and an adjustable standing support (fig. 1A.).

2.3. BATTERY CHARGING

❑ **WARNING!** Ensure you read, understand and apply safety instructions relating to the battery and charger before use.

2.3.1. Mains charger plug

1. Plug the charger adaptor (fig. 3) into the jack inlet on spotlight body (fig. 2E) and stand the spotlight in a safe location ready to charge.
2. Ensure the spotlight is turned 'Off' and then plug charger into the mains supply. The indicator LED will light (fig. 2F).
3. The battery will take approximately 24 hours to charge on the initial charge and 18 hours for subsequent charges. Switch off the mains supply and unplug the charger. Remove the charger adaptor (fig.3) from the spotlight and seal the jack inlet. The spotlight may now be used.
4. Store the charger in a safe, dry location.

Notes: a) A fully charged battery will last for approximately 15 minutes .
b) There is no need to fully discharge the battery before recharging.

2.3.2. Vehicle plug

1. Ensure spotlight is turned 'Off' and then plug the 12 volt vehicle plug adaptor (fig. 4.) into the jack inlet on the spotlight body (fig. 2E). Stand the spotlight in a safe location ready to charge.
2. Insert plug into vehicle cigarette lighter socket. The indicator LED will light. Allow approximately 3 hours for charging with the engine running.
3. Unplug the adaptor from the vehicle socket and from the spotlight before turning the spotlight on.
4. Store the adaptor in a safe, dry location.

Note: Charging the spotlight from a 12 volt vehicle socket will drain the vehicle battery if the engine is not running.

2.4. 12V DC socket

1. Ensure that the 12V DC appliance spotlight and the 12V DC socket are switched off.
2. Connect your appliance's 12V DC adaptor into the 12V DC socket (fig. 5A).
3. Turn on the 12V DC supply with the rocker switch to position (I) (fig. 2D).
4. Turn on the 12V DC appliance.
5. When fully charged turn off the 12V DC appliance then turn off the power to the 12V DC socket by pressing the rocker switch to the (O) position.