



ADJUSTABLE ANGLE GRINDER CUTTING SHROUD

MODEL NO: **AGCS01**

Thank you for purchasing a Sealey product. Manufactured to a high standard, this product will, if used according to these instructions, and properly maintained, give you years of trouble free performance.

IMPORTANT: PLEASE READ THESE INSTRUCTIONS CAREFULLY. NOTE THE SAFE OPERATIONAL REQUIREMENTS, WARNINGS & CAUTIONS. USE THE PRODUCT CORRECTLY AND WITH CARE FOR THE PURPOSE FOR WHICH IT IS INTENDED. FAILURE TO DO SO MAY CAUSE DAMAGE AND/OR PERSONAL INJURY AND WILL INVALIDATE THE WARRANTY. KEEP THESE INSTRUCTIONS SAFE FOR FUTURE USE.



Refer to instructions



Wear eye protection



Wear protective gloves



Wear safety footwear



Wear protective clothing



Wear ear protection



Wear a mask



Wear respiratory protection (fumes)

1. SAFETY

- ❑ **WARNING!** Read all safety warnings, instructions, illustrations and specifications provided with this power tool. Failure to follow all instructions listed below may result in electric shock, fire and/or serious injury. Save all warning and instructions for future reference.
- ✓ This product is an accessory to an angle grinder. Apply all safety advice concerning the use of an angle grinder when using this product.
- ❑ **WARNING!** Grinder **MUST** be disconnected from mains supply during assembly.

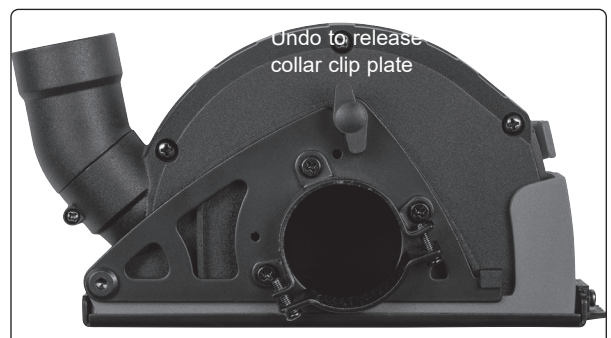
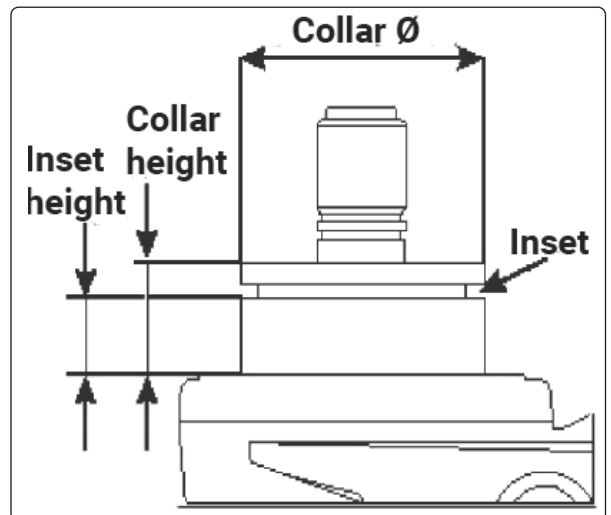
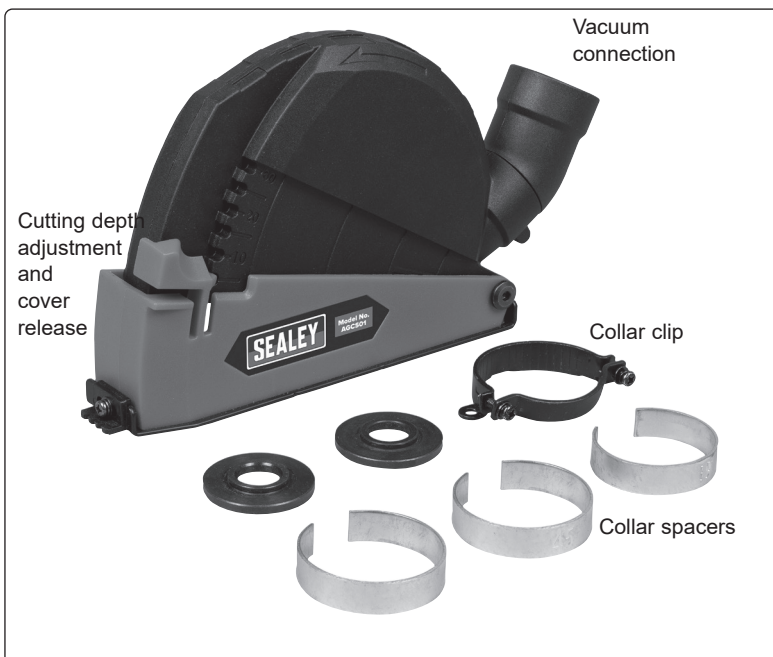
2. INTRODUCTION

Professional dust control guard for cutting a range of materials. Collar clip and spacers provided to adjust the shroud for Ø115mm to Ø125mm angle grinders. Hose end for extraction of harmful dust in concrete surfacing applications. Six notches allow for adjustable depth control. Universal hose connector enables the hose to swivel.

3. SPECIFICATION

Model No: AGCS01
 Contents:
 Cutting Shroud (x1), Wrench (x1), Pressing Plate (x2), Spacer Rings (x4), 39mm, 45mm, 48mm, 50mm.
 Diameter: Ø115mm - Ø125mm
 Weight: 0.599kg

4. CONTENTS



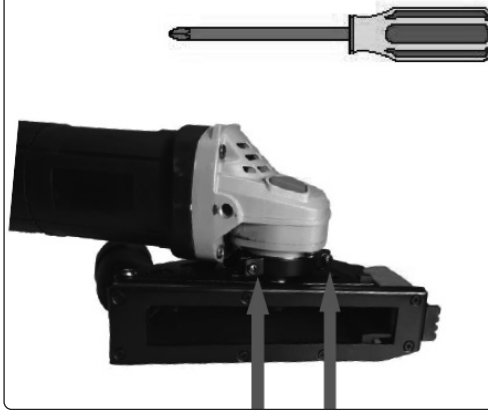
5. OPERATION

Select collar clip to match grinder. Refer to diagram on front page

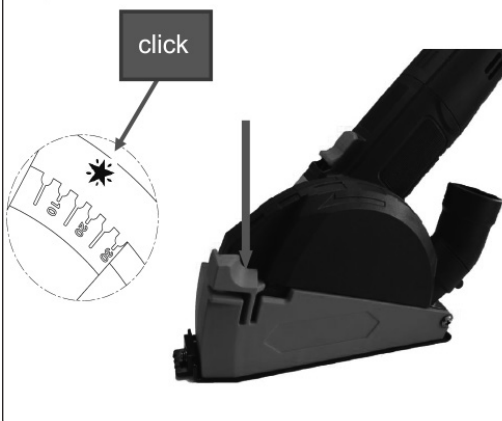


Use spacers as necessary

Tighten screws



Angle adjustment



Undo thumbscrew to open



Pass grinder through shroud assembly.
Fit flange



Fit flange nut, tighten



5.1. Connect to vacuum extraction. Risk assess the cutting task to be performed. Perform a run up test and operation of the shroud before commencing work to ensure all parts are correctly aligned.



ENVIRONMENT PROTECTION

Recycle unwanted materials instead of disposing of them as waste. All tools, accessories and packaging should be sorted, taken to a recycling centre and disposed of in a manner which is compatible with the environment. When the product becomes completely unserviceable and requires disposal, drain any fluids (if applicable) into approved containers and dispose of the product and fluids according to local regulations.

Note: It is our policy to continually improve products and as such we reserve the right to alter data, specifications and component parts without prior notice.

Important: No Liability is accepted for incorrect use of this product.

Warranty: Guarantee is 12 months from purchase date, proof of which is required for any claim.



REGISTER YOUR PURCHASE HERE

Sealey Group, Kempson Way, Suffolk Business Park, Bury St Edmunds, Suffolk. IP32 7AR



01284 757500



sales@sealey.co.uk



www.sealey.co.uk

