

Thank you for purchasing a Sealey product. Manufactured to a high standard this product will, if used according to these instructions and properly maintained, give you years of trouble free performance.

IMPORTANT: READ THESE INSTRUCTIONS CAREFULLY. NOTE THE SAFE OPERATIONAL REQUIREMENTS, WARNINGS AND CAUTIONS. USE THIS GEARBOX SUPPORT CORRECTLY AND WITH CARE FOR THE PURPOSE FOR WHICH IT IS INTENDED. FAILURE TO DO SO MAY CAUSE DAMAGE AND/OR PERSONAL INJURY AND WILL INVALIDATE THE WARRANTY. RETAIN THESE INSTRUCTIONS FOR FUTURE USE.

1. SAFETY INSTRUCTIONS

- WARNING! Ensure all preliminary checks are carefully carried out before using gearbox support and transmission jack.**
- WARNING! Follow all of the safety instructions issued with the transmission jack.**
- ✓ Before use ensure the transmission weight and size do not exceed the capacity of the gearbox support or the transmission jack.
- ✓ The gearbox support is heavy, care should be taken when placing onto the transmission jack.
- WARNING! Ensure load is placed level and centrally on gearbox support and is fixed in place before attempting to lift, lower, or transport load. Always use load restraint chains and attachments to stabilise and secure the load to the gearbox support.**
- ✓ Ensure that the sliding bracket and chain mount bracket nuts and bolts are fully tightened when the gearbox support is loaded.
- ✗ **DO NOT** use the gearbox support without restraint chains.
- ✗ **DO NOT** replace the chains with an inferior form of restraint.
- ✗ **DO NOT** allow untrained persons to use the gearbox support.
- ✓ Care should be taken when using the gearbox support and vertical transmission jack in conjunction with a vehicle lift to ensure that the vehicle is not lowered whilst the jack is in position.
- ✗ **DO NOT** move the transmission jack, with or without a load, with the gearbox support in the raised position.
- ✗ **DO NOT** use the gearbox support for any purpose other than for vehicle transmissions.
- ✓ Before storing ensure gearbox support is clean and free of grease and oil.
- ✓ Store in a safe, dry childproof location.

2. INTRODUCTION & SPECIFICATION

Fully adjustable saddle with forward, backward and side to side tilt. Suitable for use with Model Nos: 300ETJ and 500ETJ.

Model No:..... ADT7
 Capacity:500kg
 Compatibility:.....300ETJ, 500ETJ

3. CONTENTS & ASSEMBLY

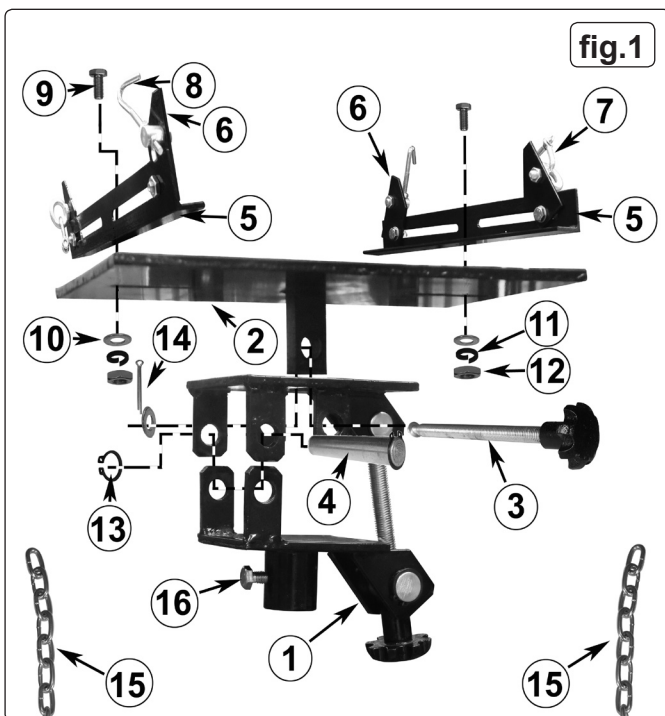
3.1 Contents List (refer to fig.1)

Item	Description	Qty	Item	Description	Qty
1	Main Support	01	9	M10 x 30mm Bolt	06
2	Support Plate	01	10	Flat Washer	06
3	Adjuster Screw	02	11	Spring Washer	10
4	Pivot Pin	01	12	M10 Nut	10
5	Sliding Bracket	02	13	Circlip	02
6	Chain Mount Bracket	04	14	Split Pin	01
7	Chain Anchor	02	15	Chain	02
8	Chain Hook	02	16	Retaining Bolt	01

- WARNING! Failure to assemble the gearbox support correctly may result in serious damage and/or personal injury. Unpack the product and check contents against the contents list. Should there be any damaged or missing parts contact your supplier immediately.**

3.2 Assembly (refer to fig.1)

- 3.2.1 Position the support plate (2) on a flat surface with the bracket facing upwards. Place the main support (1) over the support plate (2) so that the bracket fits into the slot on the main support (1).
- 3.2.2 Align the adjuster screw (3) so that it passes through the bracket on the main support (1) and screws into the bracket on the support plate (2). Continue to screw the adjuster screw (3) all the way through the support plate bracket until it completely protrudes from the other side. Fit a flat washer (10) over the end of the adjuster screw (3) and continue to turn the adjuster screw (3) until the flat washer (10) makes contact with the inside face of the opposite bracket and the end of the adjuster screw (3) is protruding through. Place a flat washer (10) over the protruding end of the adjuster screw (3) at the outside face of the bracket and fit the split pin (14) through the hole in the end of the adjuster screw (3).
- 3.2.3 Align the holes in the pivot brackets on the main support (1) so that the pivot pin (4) can be inserted. Secure the pivot pin (4) with the circlips (13).
- 3.2.4 Attach the chain anchors (7) and the chain hooks (8) to the chain mounting brackets (6) using M10 nuts (12) and spring washers (11). It is not necessary to fully tighten the nuts until loading the gearbox support.



- 3.2.5 Attach the chain mounting brackets (6) to the sliding brackets (5) using four M10 x 30mm bolts (9). Use flat washers (10), spring washers (11) on the nut (12) side only. It is not necessary to fully tighten the nuts until loading the gearbox support. Ensure that each sliding bracket (5) has one chain anchor (7) and one chain hook (8) fitted. The chain anchor (7) and the chain hook (8) should be facing to the outer edges of the sliding brackets (5).
- 3.2.6 Place the assembled main support (1) and support plate (2) on to a suitable transmission jack. Attach each assembled sliding bracket (5) to the slots in the support plate (2) using a M10 x 30mm bolt (9), flat washer (10), spring washer (11) and M10 nut (12). It is not necessary to fully tighten the nuts until loading the gearbox support.
- 3.2.7 Attach one end of each chain (15) to the shackles on each of the chain anchors (7).
- 3.2.8 The gearbox support is now ready for use.

4. OPERATING INSTRUCTIONS

- WARNING! DO NOT** use gearbox support if any suspect part is found, or if it is believed to have been subjected to abnormal load or shock. Immediately remove from service and contact your authorised service agent.
- WARNING!** Always read, understand and implement the safety and operating instructions supplied with the gearbox support *and those supplied with the transmission jack it is to be used with.* (Note: Transmission jack not supplied).
- 4.1 With transmission jack fully down remove existing saddle and fit the ADT7. Tighten retaining bolt (16).
- 4.2 **Removing Gearbox.** Loosen all gearbox fixing bolts leaving them finger tight.
 - 4.2.1 Raise the gearbox support close to the gearbox and adjust the angle of the support plate (2) using the adjusting screws (3).
 - 4.2.2 Position the sliding brackets (5) and the chain mount brackets (6) to best support and locate the transmission, ensuring that all nuts and bolts are tightened.
 - 4.2.3 Feed the chains (15) over the top of the gearbox and attach to the chain hooks (8) leaving as little slack in the chains as possible. Fully tighten the chains (15) using the adjusters on the chain hooks (8).
 - 4.2.4 Remove all gearbox fixings. Disconnect drive shaft. Ensure that the gearbox is stable on the support. Detach gearbox and lower away from underside of vehicle.
- 4.3 **Refitting Gearbox.** Secure the repaired/new gearbox to the support plate (2) using the chains (15). Ensure that the sliding brackets (5) and the chain mount brackets (6) are in a position to best support the transmission and all the nuts are fully tightened.
 - 4.3.1 Raise the gearbox into the required position underneath the vehicle and make fine adjustments to the positioning using the adjuster screws (3).
 - 4.3.2 When the gearbox is in position and properly aligned with its fixing holes, insert all bolts finger tight before progressively tightening them to the correct specified torque settings. (See vehicle service manual).
 - 4.3.3 Remove chains (15) from gearbox and lower support away from underside of vehicle.

5. MAINTENANCE

- 5.1 Periodically lubricate the gearbox support pivot points and the adjuster screws (3).

fig.2



NOTE: It is our policy to continually improve products and as such we reserve the right to alter data, specifications and component parts without prior notice.

IMPORTANT: No liability is accepted for incorrect use of this product.

WARRANTY: Guarantee is 12 months from purchase date, proof of which will be required for any claim.

INFORMATION: For a copy of our latest catalogue and promotions call us on 01284 757525 and leave your full name and address, including postcode.



Sole UK Distributor, Sealey Group,
Kempson Way, Suffolk Business Park,
Bury St. Edmunds, Suffolk,
IP32 7AR



01284 757500



www.sealey.co.uk



01284 703534



sales@sealey.co.uk