

Thank you for purchasing a Sealey product. Manufactured to a high standard this product will, if used according to these instructions and properly maintained, give you years of trouble free performance.



IMPORTANT! ENSURE YOU READ AND UNDERSTAND THESE INSTRUCTIONS FULLY BEFORE ATTEMPTING TO USE THE JACK SADDLE. NOTE THE SAFE OPERATIONAL REQUIREMENTS, DANGERS, WARNINGS AND CAUTIONS. USE THE SADDLE CORRECTLY AND WITH CARE FOR THE PURPOSE FOR WHICH IT IS INTENDED.

WARNING! FAILURE TO APPLY THESE INSTRUCTIONS MAY CAUSE *DAMAGE AND/OR SERIOUS PERSONAL INJURY*. FAILING TO FOLLOW INSTRUCTIONS WILL ALSO INVALIDATE YOUR WARRANTY. KEEP THESE INSTRUCTIONS SAFE FOR FUTURE USE.

NOTE: The use of symbols in this document is to attract your attention to possible danger. The symbols and warnings themselves do not eliminate any danger, nor are they substitutes for proper accident prevention measures.

1. SAFETY INSTRUCTIONS

WARNING! Ensure all preliminary checks are carefully carried out before using saddle and jack. Immediately repair or replace damaged or missing parts (use authorised service agent). Ensure use of *genuine parts only*. *Unauthorised parts may be dangerous and will invalidate the warranty.*

WARNING! Follow the safety instructions issued with the transmission jack.

Before use ensure the transmission weight and size do not exceed the capacity of the saddle or the jack.

WARNING! Ensure load is placed level and centrally on saddle and is fixed in place before attempting to lift, lower, or transport.

Always use load restraint chain and attachments to stabilise and secure the load to the saddle.

DO NOT use the saddle without restraint chain.

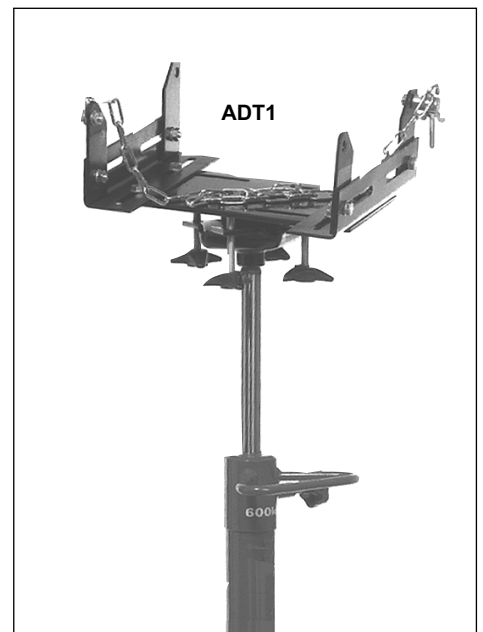
DO NOT replace the chain with an inferior form of restraint.

Care should be taken when using the saddle and vertical transmission jack in conjunction with a vehicle lift to ensure that the vehicle is not lowered whilst the jack is in position.

DO NOT move the jack, with or without a load, with the saddle in the raised position.

DO NOT use the saddle for any purpose other than for vehicle transmissions.

Before storing ensure saddle is clean and free of grease and oil.



2. INTRODUCTION & SPECIFICATIONS

The ADT1 and ADT2 Adjustable Saddles have been manufactured to a high specification to fit Sealey Vertical Transmission Jacks, in place of the standard fixed saddle, thereby increasing the range of transmissions which can be accommodated.

SPECIFICATIONS:

| | ADT1 | ADT2 |
|---------------------|--------------|--------------|
| Rated capacity | 300kg | 750kg |
| Saddle width | 140 to 360mm | 140 to 425mm |
| Saddle length | 350mm | 530mm |
| Saddle pitch & tilt | 20° | 20° |

APPLICATIONS:

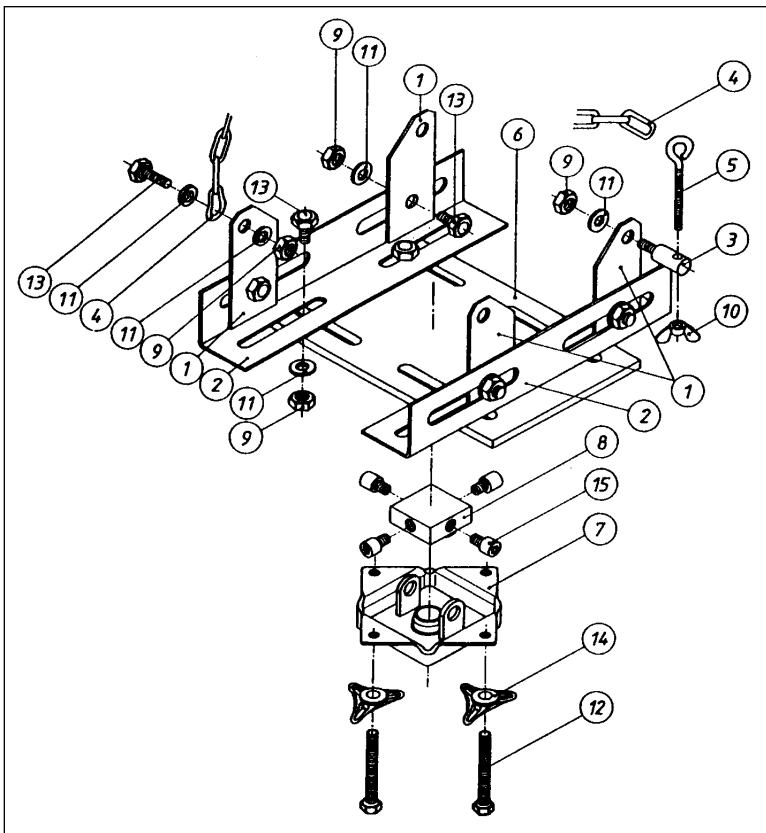
| | ADT1 | ADT2 |
|----------------------|---------|---------|
| To suit Sealey jacks | 300GA | 1000GA |
| | 600GA | 1250GA |
| | 1000GA | 1250GTA |
| | 1250GA | |
| | 1250GTA | |



3. PARTS LIST & ASSEMBLY

| Item | Part No. | Description |
|-----------|-------------|--------------------------|
| 1 - ADT1 | 100/9057600 | Brace |
| 1 - ADT2 | 100/9059100 | Brace |
| 2 - ADT1 | 100/9057700 | Bracket |
| 2 - ADT2 | 100/9059200 | Bracket |
| 3 | 100/9058000 | Retainer, chain adjuster |
| 4 | 100/9058600 | Chain |
| 5 | 100/9058700 | Adjuster, chain |
| 6 - ADT1 | 100/9058900 | Base plate |
| 6 - ADT2 | 100/9058700 | Base plate |
| 7 | 100/9059800 | Housing, universal joint |
| 8 | 100/9059900 | Universal joint |
| 9 | 100/0200200 | Nut |
| 10 | 100/0200900 | Wing nut |
| 11 | 100/0211600 | Washer |
| 12 | 100/0231900 | Screw |
| 13 - ADT1 | 100/0233400 | Screw |
| 13 - ADT2 | 100/0232300 | Screw |
| 14 | 100/0245200 | Handle |
| 15 | 100/0248700 | Screw |

Original Date:- 060899
 Issue Date:- 060899
 Version No:- 1
 Date Modified:- 1st issue



WARNING! Failure to assemble the saddle correctly may result in serious damage and/or personal injury.

Unpack the product and check contents against the parts listed in these instructions. Should there be any damaged or missing parts contact your supplier immediately.

Note: Items 6, 7, 8, 12, 14 and 15 have been pre-assembled.

- 3.1. Attach brackets (2) to the base plate (6) with screws (13), washers (11) and nuts (9).
- 3.2. Attach braces (1) to brackets with screws (13), washers (11) and nuts (9).
- 3.3. Attach chain (large link end) to one brace with screw (13), washers (11) and nut (9).
- 3.4. Fit adjuster retainer (3) to diagonally opposite brace using washer (11) and nut (9).
- 3.5. Slide chain adjuster (5) through retainer and fit wing nut (10).

4. OPERATING INSTRUCTIONS

- WARNING! DO NOT use saddle if any suspect part is found, or if it is believed to have been subjected to abnormal load or shock. Immediately remove from service and contact your authorised service agent.**
- WARNING! Always read, understand and implement these safety and operating instructions supplied with the saddle and those supplied with the jack.**

- 4.1. With jack fully down remove existing fixed saddle from jack and fit the ADT1 or ADT2.
- 4.2. Adjusting the pitch and tilt of saddle will assist you to safely support and transport the transmission. The saddle may be tilted forward, backward and side to side up to 20° by operating the appropriate handles (14).
- WARNING! After adjusting the angle of the saddle always make sure that all four adjusting screws are in contact with the underside of the base plate. This will ensure that the saddle does not move during use, which would endanger both the transmission and the operator.**
- 4.3. Always position brackets (2) and braces (1) to best support/locate transmission and ensure all screws are retightened. Before moving jack and transmission ensure that restraint chain is in place and tensioned by wing nut (10).
- 4.4. Periodically lubricate the saddle pivot points and the adjusting screws.

Declaration of Conformity We, the sole importer into the UK, declare that the products listed here are in conformity with the following standards and directives.

Adjustable Jack Saddle
Models: ADT1 & ADT2

98/37/EC Machinery Directive



The construction files for these products are held by the Manufacturer and may be inspected, by a national authority, upon request to Jack Sealey Ltd.

Signed by Mark Sweetman

10th July 2001

For Jack Sealey Ltd. Sole importer into the UK of Sealey Quality Machinery.

NOTE: It is our policy to continually improve products and as such we reserve the right to alter data, specifications and component parts without prior notice.
IMPORTANT: No liability is accepted for incorrect use of product. **WARRANTY:** Guarantee is 12 months from purchase date, proof of which will be required for any claim. **INFORMATION:** For a copy of our latest catalogue and promotions call us on 01284 757525 and leave your full name and address, including postcode.



Sole UK Distributor, Sealey Group,
 Bury St. Edmunds, Suffolk.



01284 757500



01284 703534

E-mail: sales@sealey.co.uk