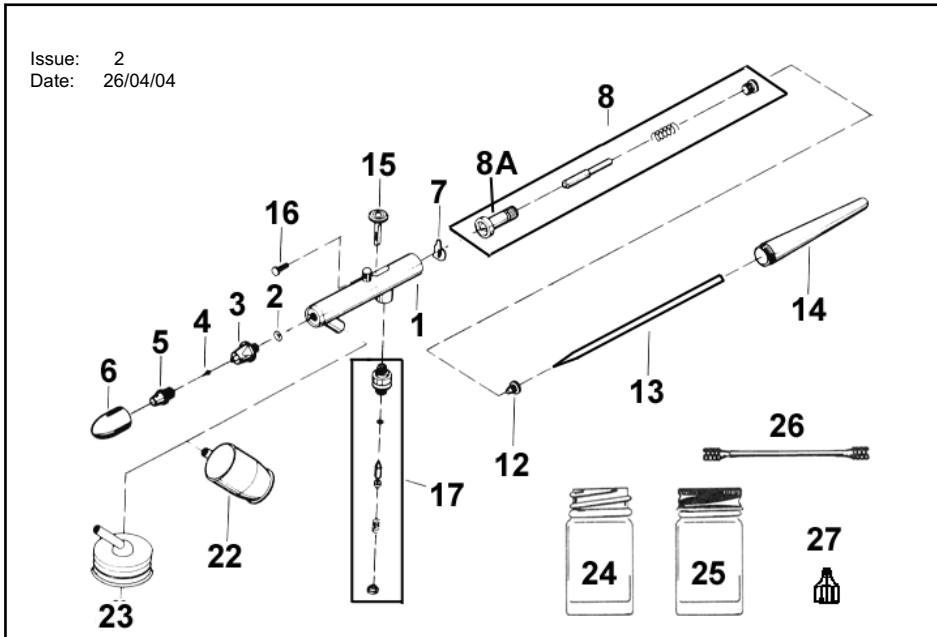


Thank you for purchasing a Sealey Product. Manufactured to a high standard this product will, if used according to these instructions and properly maintained, give you years of trouble free performance.

**IMPORTANT: PLEASE READ THESE INSTRUCTIONS CAREFULLY. NOTE THE SAFE OPERATIONAL REQUIREMENTS, WARNINGS AND CAUTIONS. USE THIS PRODUCT CORRECTLY AND WITH CARE FOR THE PURPOSE FOR WHICH IT IS INTENDED. FAILURE TO DO SO MAY CAUSE DAMAGE AND/OR PERSONAL INJURY AND WILL INVALIDATE THE WARRANTY. PLEASE KEEP INSTRUCTIONS SAFE FOR FUTURE USE.**



| Item | Part No  | Description           | Item | Part No  | Description                |
|------|----------|-----------------------|------|----------|----------------------------|
| 1    | AB932/01 | Frame                 | 14   | AB932/14 | Tail cover                 |
| 2    | AB932/02 | O-Ring                | 15   | AB932/15 | Trigger                    |
| 3    | AB932/03 | Nozzle assembly       | 16   | AB932/16 | Micro adjust screw         |
| 4    | AB932/04 | Fluid tip             | 17   | AB932/17 | Valve assembly             |
| 5    | AB932/05 | Fixing nut            | 22   | AB932/22 | Paint cup                  |
| 6    | AB932/06 | Fixing cap            | 23   | AB932/23 | Jar cover with nozzle      |
| 7    | AB932/07 | Spacer                | 24   | AB930/16 | Jar, 22cc                  |
| 8    | AB932/08 | Needle guide assembly | 25   | AB930/17 | Jar with cover, 22cc       |
| 12   | AB932/12 | Needle fixing screw   | 26   | AB930/19 | Air hose, 5ft              |
| 13   | AB932/13 | Fluid needle          | 27   | AB931/31 | Air hose adaptor, 1/4" BSP |

**NOTE:** It is our policy to continually improve products and as such we reserve the right to alter data, specifications and component parts without prior notice. **IMPORTANT:** No liability is accepted for incorrect use of this equipment. **WARRANTY:** Guarantee is 12 months from purchase date, proof of which will be required for any claim. **INFORMATION:** For a copy of our latest catalogue and promotions, call us on 01284 757525 and leave your full name and address including your postcode.

**SEALEY Professional TOOLS** Sole UK Distributor, Sealey Group, Bury St. Edmunds, Suffolk.

01284 757500      01284 703534      sales@sealey.co.uk      www.sealey.co.uk

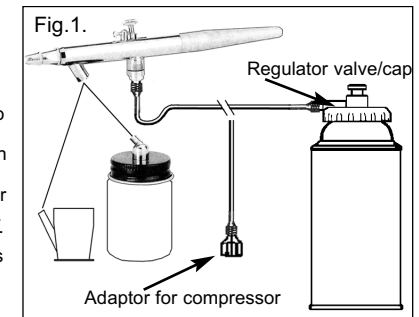
## 1. SAFETY INSTRUCTIONS

- WARNING!** Ensure that Health and Safety, local authority and general workshop practice regulations are adhered to when using tools.
- ✓ Ensure that the air brush and accessories are in a clean, sound condition and good working order. Take action for immediate repair or replacement of damaged parts. *Use recommended parts only. The use of unauthorised parts may be dangerous and will invalidate the warranty.*
- ✓ Ensure the air brush supply hose is not tangled, twisted or pinched.
- ✗ **DO NOT** use air brush or accessories if damaged.
- ✗ **DO NOT** operate air brush while under the influence of drugs, alcohol or intoxicating medication, or if fatigued.
- ✗ **DO NOT** direct spray against yourself, other persons or animals, electrical equipment or the machine itself.
- ✗ **DO NOT** use the air brush for a task it is not designed to perform.
- ✓ Wear approved eye protection and a suitable respirator when painting. A full range of personal safety equipment is available from your Sealey Dealer.
- ✗ **DO NOT** allow smoking or open flame in the work area.

## 2. ASSEMBLY

**Note:** Numbers in brackets refer to item numbers on the parts diagram.

- 2.1. Fit the jar cover with nozzle (23), or the paint cup (22) into the frame (1) as shown in fig.1.
- 2.2. Screw one end of the air hose (26) onto the air hose connection of the air brush and the other end onto the air supply.
- 2.3. To use a propellant can (Sealey Part No: AB/P) a regulator valve/cap (Sealey Part No: AB930/11) is required, see fig.1.
- 2.4. To use a compressor (Sealey Model No: AB900) use the air hose adaptor to connect the air hose to the compressor, as shown in fig.1.



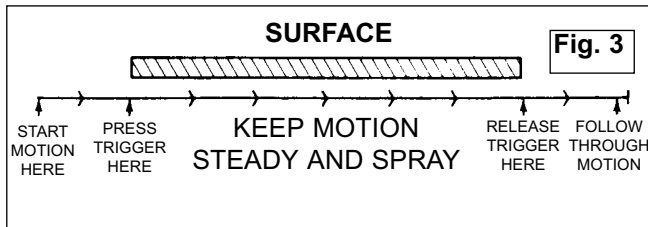
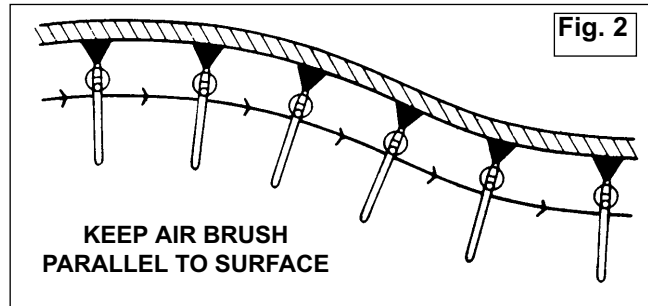
## 3. OPERATING INSTRUCTIONS

**Note:** Numbers in brackets refer to item numbers on the parts diagram.

- 3.1. Mask the area which is NOT to be painted.
  - 3.2. Ensure the object to be painted is free from dust and grease etc.
  - 3.3. After mixing and thinning the paint, as instructed by the paint manufacturer, fill the paint jar or paint cup just over half full.
- Note:** You can mix any colour combinations required for use with your air brush, but ONLY mix compatible paints, i.e mix enamels with enamels, lacquers with lacquers and so on. Mix thoroughly, making sure that the paint is free from lumps. It may be necessary to strain the paint first.
- 3.4. Turn the air ON and test your spray on old newspaper or other material to get the "feel" of your air brush.
- Note:** When using quick drying paints, it is advisable to clean or immerse the fluid end of the air brush in a compatible solvent between sprays.
- 3.5. Make any necessary spray adjustments. The paint spray pattern can be adjusted by turning the fixing nut (5). The nut is fully closed when it has been turned clockwise to the stop point. The volume of paint dispensed can be adjusted by varying the backward movement of the trigger (15). This can be pre-set using the micro adjust screw (16).
  - 3.6. Holding the air brush about 6 inches from the surface press the trigger (15) down. Using short strokes, move the air brush at a steady rate, parallel to the surface, fig.2.
  - 3.7. Apply a light coat of paint, let it dry, then apply another coat. Continue with this method until the desired coverage is reached. **DO NOT** spray too heavily.

- 3.8. Once you are satisfied with the results of your test pieces and have made any necessary adjustments to the air brush, continue with the task to be performed. Best results are achieved with a good constant motion. Start the motion before pressing the trigger, and follow a through motion after releasing the trigger, fig.3.

**CAUTION: ENSURE ADEQUATE VENTILATION. DO NOT SPRAY NEAR NAKED FLAMES.**



## 5. TROUBLESHOOTING

| THE PROBLEM          | THE CAUSE  | THE SOLUTION   |
|----------------------|--|--|
| Paint Runs.          | Too much paint applied.<br>Moving air brush too slowly along workpiece.<br>Not releasing trigger at the end of stroke. | Hold brush further away from object.<br>Press trigger lightly.<br>Move at a constant speed.<br>Release trigger at end of stroke. |
| Grainy Spray.        | Paint too thick.<br>Dried paint deposits on tip, needle or regulator.  | Thin paint.<br>Clean air brush thoroughly,<br>(as described above).  |
| Paint Splattering.   | Needle snapping back into tip.   | Release needle gently.   |
| Curved Stroke.       | Air brush arcing too close to object.  | Keep air brush parallel to the object,<br>unless curved stroke is desired.   |
| Paint Spitting.      | Needle snapping back into tip.   | Release needle gently.   |
| Restricted Spray.    | Regulator screwed in too tight.<br>Paint tube in pot clogged.  | Loosen regulator.<br>Clean as described above.   |
| Bubbles in Paint Jar | Regulator open too loose.<br>Paint tube in pot clogged.  | Tighten regulator.<br>Clean as described above.  |
| Erratic Spray        | Fluid needle bent or paint deposits on needle.   | Replace needle or clean as required.   |

## 4. CLEANING & MAINTENANCE

**Note:** Numbers in brackets refer to item numbers on the parts diagram.

**Note:** To achieve the best results when spraying it is always best to start with the air brush clean and totally free from old paint deposits, dirt etc. Therefore the air brush should be thoroughly cleaned immediately after each operation.

- 4.1. Remove the empty paint container, wipe the inside thoroughly, including the lid.
- 4.2. Fill the container half full of a compatible solvent and re-attach to the air brush.
- 4.3. Spray onto newspaper, this will clean the needle, nozzle assembly and fixing nut. Hold a soft cloth over the fixing nut and spray again, this will force air and the compatible solvent back through the air brush and clean the internal moving parts. Should the air brush become clogged with paint, dismantle the airbrush and clean the component parts as follows:
  - 4.3.1. Turn off the air and disconnect the air hose from the airbrush.
  - 4.3.2.  **WARNING!** The fluid needle has a long sharp point and great care should be exercised when handling it.
  - 4.3.2. Unscrew the tail cover (14), unscrew the needle securing nut (8A) and carefully withdraw the needle and needle guide assembly (8).
  - 4.3.3. Unscrew the needle fixing nut (5) and the nozzle assembly (3). **Note:** Should the nozzle assembly require soaking in a compatible solvent, remove the O-ring (2) to prevent damage.
  - 4.3.4. Clean and dry the component parts taking great care with the needle to ensure it does not get bent.
  - 4.3.5. Should the needle need to be replaced, unscrew the needle securing screw (12), withdraw the needle and replace with a new one (Sealey Part No: AB932/13).
- 4.5. Re-assemble the air brush as follows:
  - 4.5.1. Refit the O-ring removed in paragraph 4.3.3 and screw the nozzle assembly (3) onto the frame (1).
  - 4.5.2. Refit the needle securing nut (8A).
  - 4.5.3. Position the trigger (15) inside the slot in the frame (1) such that the base sits on top of the air valve.
  - 4.5.4. Insert the spacer (7) such that the convex face of the upper section rests against the trigger (15).
  - 4.5.5. Insert the needle (13) into the needle guide assembly (8) and secure by tightening the needle fixing screw (12).
  - 4.5.6. Carefully insert the needle centrally into the frame (1) and secure by tightening the needle securing nut (8A).
  - 4.5.7. Refit the tail cover (14).

**NOTE:** It is our policy to continually improve products and as such we reserve the right to alter data, specifications and component parts without prior notice.

**IMPORTANT:** No liability is accepted for incorrect use of this equipment.

**WARRANTY:** Guarantee is 12 months from purchase date, proof of which will be required for any claim.

**INFORMATION:** For a copy of our latest catalogue and promotions, call us on 01284 757525 and leave your full name and address including your postcode.



Sole UK Distributor, Sealey Group, Bury St. Edmunds, Suffolk.



01284 757500



01284 703534



sales@sealey.co.uk



www.sealey.co.uk