



INSTRUCTIONS FOR :
AIR BRUSH KITS
MODELS: **AB930 & AB9301**

Thank you for purchasing a Sealey Product. Manufactured to a high standard this product will, if used according to these instructions and properly maintained, give you years of trouble free performance.



IMPORTANT: PLEASE READ THESE INSTRUCTIONS CAREFULLY. NOTE THE SAFE OPERATIONAL REQUIREMENTS, WARNINGS AND CAUTIONS. USE THIS PRODUCT CORRECTLY AND WITH CARE FOR THE PURPOSE FOR WHICH IT IS INTENDED. FAILURE TO DO SO MAY CAUSE DAMAGE AND/OR PERSONAL INJURY AND WILL INVALIDATE THE WARRANTY. PLEASE KEEP INSTRUCTIONS SAFE FOR FUTURE USE.

1. SAFETY INSTRUCTIONS

- WARNING!** Ensure that Health and Safety, local authority and general workshop practice regulations are adhered to when using tools.
- ✓ Ensure that the air brush and accessories are in a clean, sound condition and good working order. Take action for immediate repair or replacement of damaged parts. *Use recommended parts only. The use of unauthorised parts may be dangerous and will invalidate the warranty.*
- ✓ Ensure the air brush supply hose is not tangled, twisted or pinched.
- ✗ **DO NOT** use air brush or accessories if damaged.
- ✗ **DO NOT** operate air brush under the influence of drugs, alcohol, intoxicating medication, or if fatigued.
- 8 **DO NOT** direct spray against yourself, other persons or animals, electrical equipment or the machine itself.
- 7 **DO NOT** use the air brush for a task it is not designed to perform.
- ✓ Wear approved eye protection and a suitable respirator when painting. A full range of personal safety equipment is available from your Sealey Dealer.
- 7 **DO NOT** allow smoking or open flame in the work area.

2. ASSEMBLY

Note: Numbers in brackets refer to item numbers in the parts diagram.

- 2.1. Fit the jar adaptor with lid (13) into the fluid needle assembly (24) as shown in fig.1.
- 2.2. Screw one end of the hose assembly (19) onto the air hose fitting (10).
- 2.3. Screw the other end of the hose (19) to the air supply.
- 2.4. When using a compressor (Sealey Model No. AB900), connect the air hose (19) to the air hose adaptor (supplied with the compressor) before connecting to the compressor, fig.2.
- 2.5. When using a propellant can (Sealey Model No. AB/P), connect the air hose (19) to the regulator valve/cap (11).
- 2.6. Ensure the valve is turned fully anti-clockwise before screwing to the top of the propellant can, fig.1.

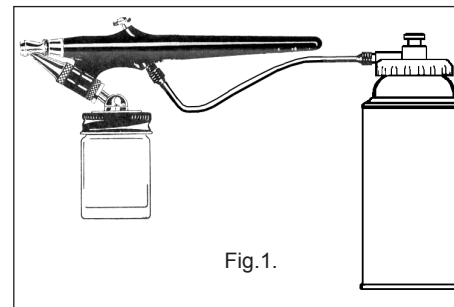


Fig.1.

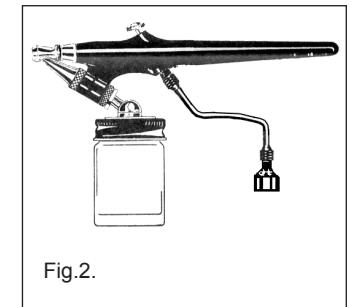


Fig.2.

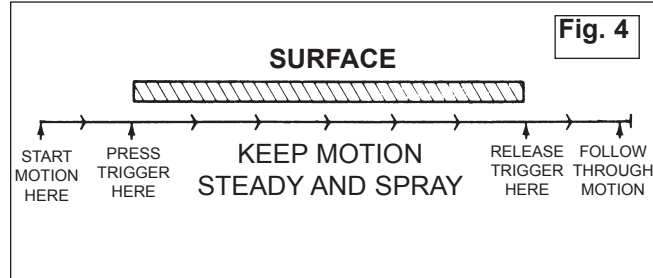
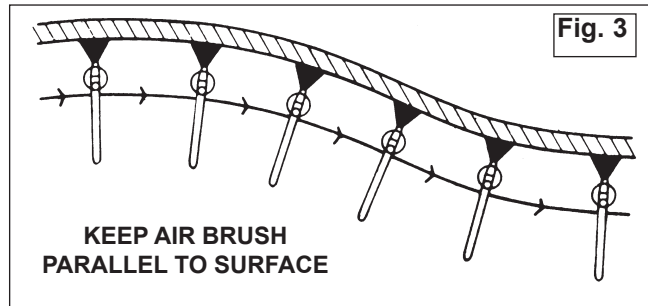
3. OPERATING INSTRUCTIONS

- 3.1. Mask the area which is NOT to be painted.
- 3.2. Ensure the object to be painted is free from dust, grease and the surface has been prepared
- 3.3. After mixing and thinning the paint, as instructed by the paint manufacturer, fill the paint jar just over half full and screw onto the lid of the jar adaptor lid.

Note: Mix thoroughly, making sure that the paint is free from lumps. It may be necessary to strain the paint first.

- 3.4. Turn the air ON and test your spray on a suitable test panel to get the "feel" of your air brush.
 - 3.5. Make any necessary spray adjustments. The paint flow and spray pattern are adjusted by turning the paint seal (24A). The seal is completely closed when it has been turned clockwise to the stop point. To obtain various degrees of paint flow, turn the seal anti-clockwise. The maximum flow will be attained by turning the seal approximately 4 turns anti-clockwise.
 - 3.6. Holding the air brush about 6 inches from the surface press the trigger. Using short strokes, move the air brush at a steady rate, parallel to the surface, fig.3. Best results are achieved with a good constant motion. Start the motion before pressing the trigger, and follow a through motion after releasing the trigger, fig.4.
 - 3.7. Apply a light coat of paint, let it dry, then apply another coat. Continue with this method until the desired coverage is reached. DO NOT spray too heavily.
- Note:** When using quick drying paints, it is advisable to clean or immerse the fluid end of the air brush in a compatible solvent between sprays.

CAUTION: ENSURE ADEQUATE VENTILATION. DO NOT SPRAY NEAR NAKED FLAMES.



4. CLEANING & MAINTENANCE

Note: Numbers in brackets refer to item numbers in the parts diagram.

Note: To achieve the best results when spraying it is always best to start with the air brush clean and totally free from old paint deposits, dirt etc. Therefore the air brush should be thoroughly cleaned immediately after each operation.

- 4.1. Remove the empty paint jar, and wipe the inside thoroughly, including the lid.
- 4.2. Fill the jar half full of thinners and re-attach to the lid.
- 4.3. Spray into a suitable container, this will clean the needle, paint seal and air tip. Hold a soft cloth over the air cap and spray again, this will force air and thinners through the air brush and clean the internal moving parts. Should the air brush become clogged with paint, remove the fluid needle assembly as follows:
 - 4.3.1. Undo the lock nut (24B).
 - 4.3.2. Prevent the paint seal (24A) from rotating and, using the spanner provided, unscrew the fluid needle.
- 4.4. Clean the fluid needle (24C), paint seal (24A) and air tip (1) with a small piece of cotton wool dipped in thinners.
- 4.5. Re-assemble the air brush by reversing the paragraphs 4.3.1 and 4.3.2. above.

AB930 & AB9301 Issue No: 2 - 11/04/08

5. TROUBLESHOOTING

THE PROBLEM	THE CAUSE	THE SOLUTION
Paint Runs.	Too much paint applied. Air brush too close to object. Moving air brush too slowly along workpiece.	Press trigger lightly. Hold further away from object. Move at a faster speed.
Grainy Spray.	Paint too thick. Dried paint deposits on tip, needle or regulator.	Thin paint. Clean air brush thoroughly.
Paint Splattering.	Needle snapping back into tip.	Release needle gently.
Curved Stroke.	Air brush arcing too close to object.	Keep air brush parallel to the object, unless curved stroke is desired.
Paint Spitting.	Needle snapping back into tip. Paint too thick.	Release needle gently. Thin paint.
Restricted Spray.	Air adjusting valve screwed in too tight. Paint tube in pot clogged.	Loosen the air adjusting valve to obtain the correct spray. Clean as described above.
Bubbles in Paint Cup.	Air adjusting valve out too far Paint tube in pot clogged.	Adjust air valve to eliminate bubbles. Clean as described above.
Erratic Spray.	Fluid needle bent or paint deposits on needle.	Replace needle or clean as required.

NOTE: It is our policy to continually improve products and as such we reserve the right to alter data, specifications and component parts without prior notice.

IMPORTANT: No liability is accepted for incorrect use of this equipment.

WARRANTY: Guarantee is 12 months from purchase date, proof of which will be required for any claim.

INFORMATION: For a copy of our latest catalogue and promotions, call us on 01284 757525 and leave your full name and address including your postcode.

	Sole UK Distributor Sealey Group, Bury St. Edmunds, Suffolk.	01284 757500	www.sealey.co.uk
		01284 703534	sales@sealey.co.uk

AB930 & AB9301 Issue No: 2 - 11/04/08