

# SEALEY

## 205,000BTU/HR SPACE WARMER® KEROSENE/ DIESEL HEATER WITH WHEELS

MODEL NO: **AB2050**

Thank you for purchasing a Sealey product. Manufactured to a high standard, this product will, if used according to these instructions, and properly maintained, give you years of trouble free performance.

**IMPORTANT:** PLEASE READ THESE INSTRUCTIONS CAREFULLY. NOTE THE SAFE OPERATIONAL REQUIREMENTS, WARNINGS & CAUTIONS. USE THE PRODUCT CORRECTLY AND WITH CARE FOR THE PURPOSE FOR WHICH IT IS INTENDED. FAILURE TO DO SO MAY CAUSE DAMAGE AND/OR PERSONAL INJURY AND WILL INVALIDATE THE WARRANTY. KEEP THESE INSTRUCTIONS SAFE FOR FUTURE USE.



Refer to  
instructions



Warning!  
automatic  
start-up



Warning!  
Hot surfaces

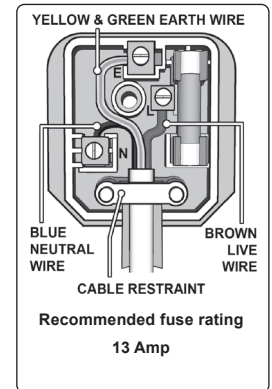


Warning!

### 1. SAFETY

#### 1.1. ELECTRICAL SAFETY

- WARNING!** It is the responsibility of the owner and the operator to read, understand and comply with the following:  
You must check all electrical products, before use, to ensure that they are safe. You must inspect power cables, plugs, sockets and any other connectors for wear or damage. You must ensure that the risk of electric shock is minimised by the installation of appropriate safety devices. A Residual Current Circuit Breaker (RCCB) should be incorporated in the main distribution board. You must also read and understand the following instructions concerning electrical safety.
- ✓ Ensure that cables are always protected against short circuit and overload.
- ✓ Regularly inspect power supply cables and plugs for wear or damage and check all connections to ensure that none are loose.
- ✓ Ensure that the voltage marked on the appliance matches the power supply to be used and that the plug is fitted with the correct fuse - see fuse rating at right.
- ✗ **DO NOT** use worn or damaged cables, plugs or connectors. Have any faulty item repaired or replaced immediately by a competent electrician.
- ✓ It is recommended that this heater is wired directly to a fused isolator switch. If, however, a plug is fitted, the following applies:
- ✓ Fit a new plug according to the following instructions (UK only).
  - a) Connect the GREEN/YELLOW earth wire to the earth terminal 'E'.
  - b) Connect the BROWN live wire to the live terminal 'L'.
  - c) Connect the BLUE neutral wire to the neutral terminal 'N'.
  - d) After wiring, check that there are no bare wires, that all wires have been correctly connected, that the cable restraint is tight.



#### 1.2. GENERAL SAFETY Read instructions carefully. Read and follow all instructions. Place instructions in a safe place for future reference.

- ✓ **DO NOT** allow anyone who has not read these instructions to assemble, light, adjust or operate the heater.
- ✓ If the information in this manual is not followed exactly, a fire or explosion may result causing property damage, personal injury or loss of life.
- ✓ Check that the heater is in sound condition and good working order. Servicing must be performed by qualified operatives only. *Take immediate action to repair or replace damaged parts. Use recommended parts only. Unapproved parts may be dangerous and will invalidate the warranty.*
- ✓ Only use clean kerosene or diesel (**NOT BIO-DIESEL**) to fuel your heater, in accordance with instructions contained in this manual.
- WARNING!** Only use heater in well ventilated areas. Ensure continuous ventilation from outside of the building is provided to the heater operating area. Refer to 5.2 Installation Maximum Opening Size. Unvented portable heaters use air (oxygen) from the area in which it is used. Adequate combustion and ventilation air must be provided.
- WARNING! DO NOT** store or use compressed air cylinders, petrol or other flammable liquids/gases in the vicinity of this or any other appliance.
- WARNING!** fire, burning and inhalation hazard. Keep solid combustibles such as building materials, paper and cardboard away from the heater. Never use the heater in spaces which do or may contain volatile or airborne products such as petrol, solvents, paint thinner, dust particles or unknown chemicals.
- WARNING!** Direct fired heaters may cause carbon monoxide (CO) poisoning when incorrectly used e.g. indoors without adequate air circulation, or if not working properly. CO poisoning may lead to death.
- ✗ **DO NOT** use the heater in closed rooms, living areas, basements or below ground level.
- ✗ **DO NOT** allow untrained persons to operate the heater and **DO NOT** operate the heater without the cover.
- ✗ **DO NOT** move or handle the heater when hot.
- ✗ **DO NOT** leave the heater unattended when in use. Switch the heater off and unplug from the mains before leaving work area.
- ✗ **DO NOT** fill the fuel tank whilst the heater is running or still hot.
- ✗ **DO NOT** overfill the fuel container. Wipe up any spilt fuel immediately.
- ✗ **DO NOT** obstruct the air inlet (rear) and air outlet (front) of the heater. **DO NOT** use duct work in front or at the rear of the heater.
- ✗ **DO NOT** look into the exhaust end of the heater.
- ✗ **DO NOT** allow children or animals near the heater when in use, or while hot.
- WARNING!** not for recreational vehicle use.
- ▲ **DANGER!** the front outlet is very hot during operation. **DO NOT** touch danger of burning.
- WARNING! RISK OF ELECTRIC SHOCK. DO NOT** expose the heater to water spray, rain, dripping water or wind.

- × **DO NOT** operate the heater when you are tired or under the influence of alcohol, drugs or intoxicating medication.
- × **DO NOT** touch the heater outlet or dome when first switched off as these are very hot and will take time to cool.
- ✓ Ensure that the heater is correctly turned off when not in use and store in a safe, dry area, out of reach of children.
- × **DO NOT** unplug the heater to switch it off. Use the ON/OFF switch.
- **WARNING!** Improper maintenance can lead to poor combustion and soot production
- **WARNING!** IF YOU NEED ASSISTANCE OR HEATER INFORMATION SUCH AS AN INSTRUCTIONS MANUAL, LABELS, ETC. CONTACT THE MANUFACTURER.

**NOTE:** This appliance is not intended for persons (including children) with reduced physical, sensory or mental capabilities, or lack of experience and knowledge, unless they have been given supervision or instruction concerning use of the appliance by a person responsible for their safety. Children should be supervised to ensure that they do not play with the appliance.

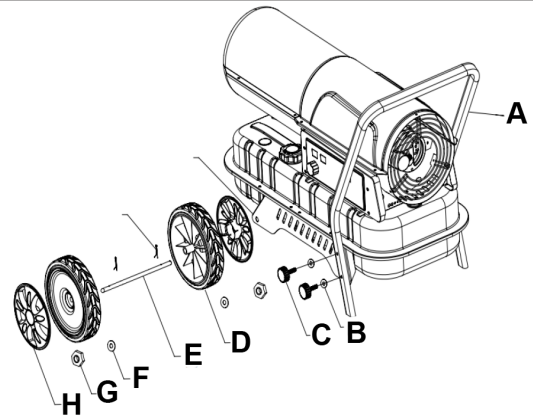
## 2. INTRODUCTION

205,000Btu/hr(60kW) Heat output. Clean burning and proven pump system can operate with either kerosene or diesel. Stainless steel combustion chamber. Can be thermostatically controlled to desired temperature. Fitted with safety cut-outs and fuel gauge. Features sturdy handle and heavy-duty wheels for easy manoeuvrability Complies with rigorous standards.

## 3. SPECIFICATION

Model no.	AB2050
Airflow (cfm)	700
Electrical fuse rating	13A
Electrical Plug type	3-pin BS
Fuel	Kerosene/Diesel
Fuel tank	56L
Heated area	56,500ft <sup>3</sup> (1,600m <sup>3</sup> )
Motor power	340W
Output	205,000Btu/hr(60kW)
Running time per filling (max.)	10hr
Supply	230V~50Hz
Transport wheels	Yes

fig.1



No.	Description	Qty.
A	Handle	1
B	Plain washer Ø6mm	4
C	Clamping screw	4
D	Wheel	2
E	Wheel shaft	1
F	Plain washer Ø12mm	2
G	Nut M12	2
H	Wheel cover	2
I	Cotter pin	2
J	Castor fixing plate	2

## 4. ASSEMBLY

- 4.1. Remove heater from carton.
- 4.2. If unit is damaged in any way **DO NOT** use and contact the Supplier.
- 4.3. Insert the wheel shaft E into the corresponding hole of the caster fixing plate J. Insert the cotter I to the corresponding holes of the wheel shaft. Fit plain washer F to the two sides of shaft, slide the wheel D over the wheel shaft E. Screw the nut G to fix the wheel on the shaft. Install the wheel cover H. Use the clamping screw C and Plain washer ø6 B to install the Handle A into the corresponding hole of the caster fixing plate J.

## 5. INSTALLATION

- 5.1. Position the heater on a flat, level, non-flammable, solid surface.
- 5.2. Direct-fired heaters are intended for use in outdoor open areas or in indoor well ventilated areas. For indoor use, provide permanent ventilation openings of at least 25 cm<sup>2</sup>/kW, equally distributed between floor and high level, with a minimum of 250 cm<sup>2</sup>.  
**Maximum Opening Size:**  
AB2050: 1400cm<sup>2</sup>
  - ✓ Only install the heater in normal upright position.
  - × **DO NOT** place the heater near walls, corners or low ceilings.
  - × **DO NOT** place the heater below a socket outlet.
  - × **DO NOT** place the heater on moving vehicles or where it can tip over.
  - ✓ Keep the heater away from flammable, combustible, explosive or corrosive materials.
  - ✓ Keep the heater away from curtains or similar materials that could block the air inlet and outlet.
  - ✓ Never block or restrict the air inlet and outlet for any reason.
  - ✓ Keep the power cable away from heat sources, sharp edges, cutting and moving parts.
  - × **DO NOT** expose directly to the weather or to excessive humidity.
  - × **DO NOT** place the heater in the immediate surroundings of a bath, shower or swimming pool.
- 5.3. Follow general and special fire safety regulations in force in all fields of applications. In any case ensure the following minimum safety clearances from materials or objects in the surroundings of the heater:  
Side: 0.6 m Air inlet side: 1 m Top: 1.5 m Hot air outlet side: 3 m Floor: 0 m
- 5.4. Floors and ceilings must be made of fireproof materials in the place where the heater is operated.
  - × **DO NOT** connect direct-fired heaters to air ducts

## 6. OPERATING CONDITIONS

### 6.1. KEROSENE AND DIESEL FUEL USAGE

These AB heaters are factory adjusted to give the most efficient burn on kerosene but will also burn diesel. Note that kerosene will tend to burn more cleanly than diesel. Care should be taken to provide at least the minimum amount of ventilation recommended when burning diesel.

### 6.2. STORAGE OF FUEL

Always store kerosene and diesel in a well ventilated area well away from general living space. Do not store in direct sunlight or near a source of heat or other source of ignition such as a torch or a portable generator. Do not use fuel that has been stored from one season to the next as it may have deteriorated and will not burn properly in the heater. Store the fuel in a suitable container which complies with requirements set out in local authority regulations.

- ❑ **WARNING!** Air contaminants taken into the heater may affect the heat output, damage the unit and may cause health problems. Example: Bodyshop filler dust / paint overspray will damage the motor bearing, clog the filter and pump and contaminate the combustion chamber causing flame flutter and health hazards. Please note that any parts damaged by filler dust / paint overspray will not be covered by warranty. Additionally, a cleaning charge will be made for any heaters damaged by filler dust.

## 7. OPERATION (REFER TO FIG.1A)

fig.1A



### 7.1. START UP

- 7.1.1. Fill tank with clean fuel. Only use Diesel or Kerosene. The fuel gauge on top of the tank allows to check fuel level.
- 7.1.2. Connect the power cord plug to a AC220-240V 50 Hz earthed electrical supply system. Earthing is mandatory.
- 7.1.3. Push the power switch to "ON"(1) position.
- 7.1.4. If the ambient temperature is lower than default temperature, the electrodes start sparking, after 7 seconds, the heater starts.
- 7.1.5. If the ambient temperature is higher than default temperature, turn thermostat control knob to desired temperature, the electrodes start sparking, after 7 seconds, the heater starts.

### 7.2. COLD START UP

- 7.2.1. At low temperature keep the air vent hole fig.4 closed by a finger during ignition to make start-up easier.
- 7.2.2. **ABNORMAL OPERATION:** in case of malfunction (flame failure, reduced air flow, bad combustion, etc.) the heater stops and the indicator light starts FLASHING.

### 7.3. MANUAL REST/RESTART

- 7.3.1. If the heater is in lock-out mode, check and remove the cause of lock-out before restarting the heater.
- 7.3.2. To reset, turn the ON/OFF switch to 0 and then again to I. In case of repeated malfunction, call technical service. Turning the thermostat control knob will NOT reset the heater.

### 7.4. SHUT DOWN

- 7.4.1. Move switch to "OFF" (O) position. The heater will run a post-ventilation phase to cool down the combustion chamber. Unplug the unit when not used for a long time.
- 7.4.2. Never disconnect the heater from mains to stop it while in operation. Always allow the cooling sequence to be completed, otherwise the residual heat could damage internal components.
  - × **DO NOT** cover the heater.
  - × **DO NOT** block the air inlet and outlet.
  - ❑ **WARNING!** The heater outlet is very hot during operation and after use. **DO NOT TOUCH!** Use personal protecting equipment if needed.
  - ❑ **WARNING!** Children should be supervised to ensure that they do not play with the appliance.
- 7.4.3. Unplug the heater before moving it. Never pull the cable to unplug or move the unit.
  - × **DO NOT** leave the heater unattended when in use.
  - × Never use the appliance with wet hands or when either the heater or the power cable is wet.
  - ❑ **WARNING!** If the supply cable is damaged, it must be replaced by the manufacturer, by a service agent or a similar qualified person.

## 8. CLEANING & MAINTENANCE

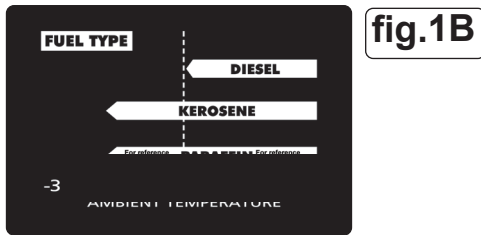
- ❑ **WARNING!** Before starting any maintenance task, shut down, unplug and let the heater cool down for at least 15 minutes.
- × **DO NOT** attempt any electrical repair yourself. If the heater needs service or repair, contact a qualified technician.
- × **DO NOT** use a faulty unit unless a qualified technician has inspected and repaired it.
- ✓ When cleaning, make sure that water does not enter the unit.
- × **DO NOT** open the enclosure to clean the inner parts. **DO NOT** spray water into the heater.
- × Never use solvents, gasoline, toluene and similar aggressive chemicals to clean the heater.
- 8.1. Regularly wipe the enclosure using a soft sponge or cloth. For very dirty parts, use a sponge wetted with lukewarm water and a mild detergent, then dry using a clean cloth.
- 8.2. Keep air inlet and fan free from dust and dirt. To clean inner parts, gently blow compressed air through air inlet.
- 8.3. Regularly inspect the power cable: if worn, cracked or damaged have it replaced by technical service.
- 8.4. Before storing the heater, make sure it is perfectly cool and dry. Cover the unit with a plastic bag, put it in its packing box and store it in a dry, ventilated place.
- 8.5. **LONG TERM STORAGE**

If the heater is to be stored for a long period of time, drain the fuel through the fuel cap opening. Rinse and swirl a small amount of fuel within the tank and then empty it fully. When you come to use the heater again do not use old fuel which has been stored from the previous season. Use of old fuel can damage your heater.

Although our heaters operate with diesel fuel, when the temperature is below 0°C diesel additives are required to maintain the diesel's viscosity. Typically diesel can cloud in freezing conditions and will start to gel. You will need additives for your fuel in these conditions. Kerosene does not start to gel until the ambient temperature is around -40°C.

Refer to fig.1B below.

DO NOT use paraffin in these heaters.



**8.6. MAINTENANCE**

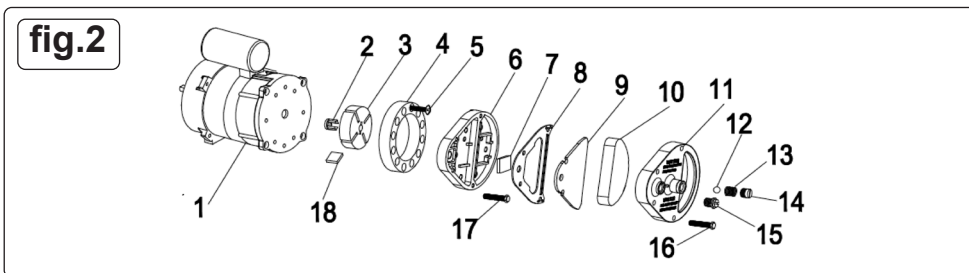
The following checks **BY QUALIFIED PERSONNEL ONLY** are recommended before every seasonal use:

**8.6.1. Nozzle**

Carefully unscrew nozzle from nozzle fitting. Blow compressed air through nozzle orifice to free it from dirt. Replace nozzle if necessary.

**8.6.2. Air Filters**

Clean air filters. Remove filter end cover (11), wash air intake filter (10) using a light detergent and dry it thoroughly before re-installing. Replace air delivery filter (9) once a year fig.2.



**8.6.3. Ignition Electrodes fig.3**

Clean and if necessary replace the ignition electrode. For electrode gaps see fig.3.

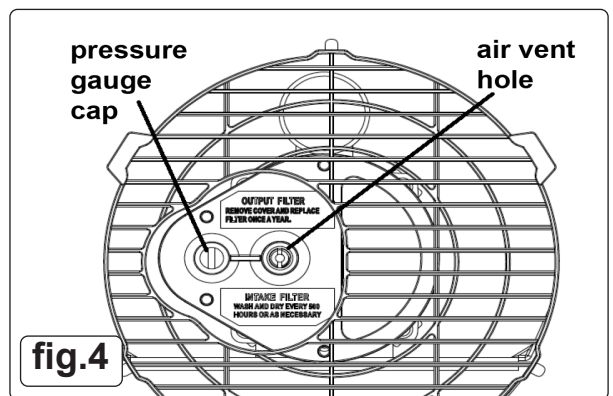


**8.6.4. Compressor Pressure Adjustment fig.4**

**WARNING!** The compressor pressure is factory set and must be checked by qualified technicians only. Tampering with the unit may be dangerous.

Remove pressure gauge cap. Connect a pressure gauge on the pressure measuring port on the rear guard. Start heater and read air pressure value. If necessary adjust pressure to correct value by turning the adjusting screw (the air vent hole in the adjusting screw middle) clockwise to increase, anticlockwise to decrease the pressure.

Model	Air Pressure (bar)
AB2050	0.43



**9. TROUBLESHOOTING**

PROBLEM	CAUSE	REMEDY
Motor does not start	No power or low voltage	Check power line and voltage
	Faulty or damaged mains cable	Check fuse and replace if needed
	Faulty motor/capacitor	Check and if necessary replace
Power indicator light is flashing	Lockout of appliance due to previous overheating	Detect the cause of the overheating Shut the appliance down Check air inlet and outlet Wait a few minutes and restart the heater

Motor runs, but the heater does not ignite and locks out after a short time  Power indicator light is flashing	Empty fuel tank, dirty or wrong fuel	Remove wrong or dirty fuel Fill tank with clean diesel or kerosene
	Fuel filter clogged	Clean or replace fuel filter
	Air leaks on oil line	Check hoses, tighten connections, if necessary replace
	Burner nozzle clogged	Clean nozzle with compressed air, replace if necessary
	Fuel viscosity increased at low temperature	Mix diesel with 10-20% kerosene
Flames come out of flue outlet	Insufficient airflow into combustion chamber	Check air inlet, fan, motor
	Compressor pressure too high	Check air pressure , adjust if needed
Heater stops during operation	The room temperature set on room thermostat has been reached	Normal operation To start turn temperature control knob clockwise onto a higher setting
Heater stops during operation  Power indicator light is flashing	Flame failure	Check and remove the cause of the malfunction To reset, turn On/Off switch to 0 and then to I
	Bad combustion	
	Reduced airflow	Call technical service if problem persists
	Overheating	



#### WEEE REGULATIONS

Dispose of this product at the end of its working life in compliance with the EU Directive on Waste Electrical and Electronic Equipment (WEEE). When the product is no longer required, it must be disposed of in an environmentally protective way. Contact your local solid waste authority for recycling information.



#### ENVIRONMENT PROTECTION

Recycle unwanted materials instead of disposing of them as waste. All tools, accessories and packaging should be sorted, taken to a recycling centre and disposed of in a manner which is compatible with the environment. When the product becomes completely unserviceable and requires disposal, drain any fluids (if applicable) into approved containers and dispose of the product and fluids according to local regulations.

**Note:** It is our policy to continually improve products and as such we reserve the right to alter data, specifications and component parts without prior notice.

**Important:** No Liability is accepted for incorrect use of this product.

**Warranty:** Guarantee is 12 months from purchase date, proof of which is required for any claim.



REGISTER YOUR PURCHASE HERE

Sealey Group, Kempson Way, Suffolk Business Park, Bury St Edmunds, Suffolk. IP32 7AR



01284 757500



01284 703534



sales@sealey.co.uk



www.sealey.co.uk