




INSTRUCTIONS FOR:  
**VERTICAL TRANSMISSION JACK**  
 MODEL No: **500GTA**

Thank you for purchasing a Sealey product. Manufactured to a high standard this product will, if used according to these instructions and properly maintained, give you years of trouble free performance.



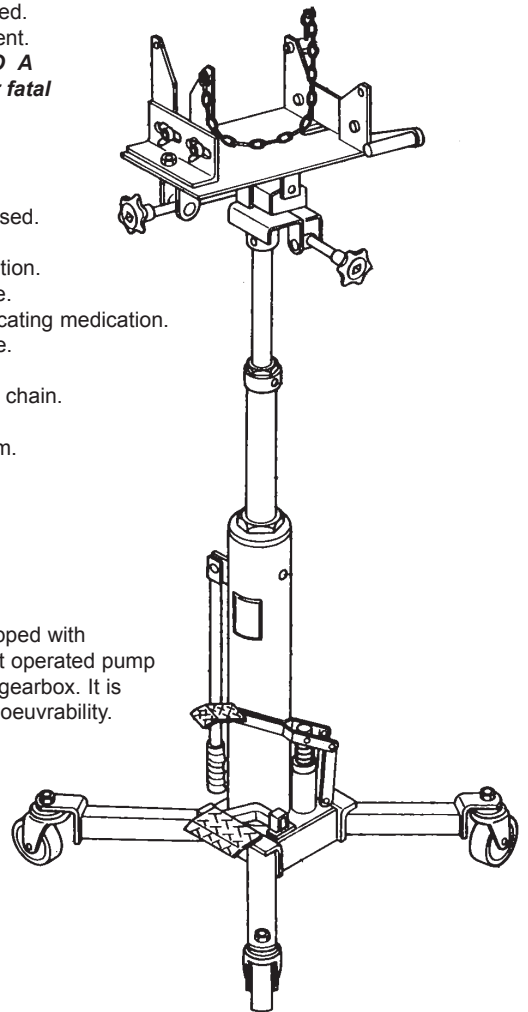
**IMPORTANT!** ENSURE YOU READ AND UNDERSTAND THESE INSTRUCTIONS FULLY BEFORE ATTEMPTING TO USE THE TRANSMISSION JACK. NOTE THE SAFE OPERATIONAL REQUIREMENTS, DANGERS, WARNINGS & CAUTIONS. USE THE JACK CORRECTLY AND WITH CARE FOR THE PURPOSE FOR WHICH IT IS INTENDED.

**WARNING!** FAILURE TO APPLY THESE INSTRUCTIONS MAY CAUSE DAMAGE, SERIOUS PERSONAL OR FATAL INJURY. FAILING TO FOLLOW INSTRUCTIONS WILL ALSO INVALIDATE YOUR WARRANTY. KEEP THESE INSTRUCTIONS SAFE FOR FUTURE USE.

**NOTE:** The use of symbols in this document is to attract your attention to possible danger. The symbols and warnings themselves do not eliminate any danger, nor are they substitutes for proper accident prevention measures.

**1. SAFETY INSTRUCTIONS**

- WARNING!** Ensure all preliminary checks are carefully carried out before use of jack. Immediately repair or replace damaged parts (use authorised service agent). Ensure use of *genuine parts only*. *Non-authorized parts may be dangerous and will invalidate the warranty.*
- WARNING!** Use jack on level and solid ground, preferably concrete. Ensure the floor over which the jack will be transported is swept clean.
- DANGER!** DO NOT use on tarmac, or any other soft surface as jack may sink or topple. Serious personal or fatal injury may result.
- ✓ Use jack in an adequate working area for its function, keep area clean & tidy and free from unrelated materials. Ensure there is adequate lighting.
- ✓ Before use ensure the gearbox weight and size does not exceed the capacity of the jack.
- ✓ Ensure the vehicle is raised and stabilised at the correct height before attempting to move the jack under the vehicle.
- ✓ Keep all unauthorised persons away from the jack during lifting and lowering and when in transit.
- ✓ Maintain correct balance and footing. Ensure the floor is not slippery and wear non-slip shoes.
- ✓ Remove ill fitting clothes. Remove ties, watches, rings, and other loose jewellery, and contain and/or tie back long hair.
- WARNING!** Ensure load is placed level and centrally on jack saddle and load is fixed in place before attempting to lift, lower, or transport.
- ✓ Lowering speed will vary according to the weight of the load and the release valve setting.
- WARNING!** Always use load restraint chain, corner support bracket, and attachments to stabilise and secure the load to saddle. Ensure the chain is tight and correctly positioned to effectively harness the load.
- ✓ Always transport the jack with the saddle fully down in lowest position.
- ✓ Diligence is required in ensuring that you continually monitor the operation until completed.
- ✓ If jack omits any abnormal sounds during use, STOP! and contact your local service agent.
- DANGER!** If jack tips or leans STOP WHAT YOU ARE DOING. MOVE QUICKLY TO A SAFE DISTANCE. DO NOT TRY TO HOLD OR STEADY JACK. Serious personal or fatal injury may result.
- WARNING!** DO NOT operate jack if any parts are damaged or missing.
- DO NOT exceed the rated capacity of the jack.
- DO NOT place any part of your body within or under the jack during use.
- DO NOT raise or lower the vehicle lifting platform whilst the transmission jack is being used.
- DO NOT transport the jack, with or without a load, with the saddle in the raised position.
- DO NOT get jack wet or use in damp or wet locations or areas where there is condensation.
- DO NOT make any modifications to jack. DO NOT adjust or tamper with the safety valve.
- DO NOT operate jack when you are tired, under the influence of alcohol, drugs or intoxicating medication.
- DO NOT lift or support vehicle with jack, and do not use jack as a load sustaining device.
- DO NOT use the jack for any purpose other than for vehicle transmissions.
- DO NOT use jack without restraint chain or substitute an inferior form of restraint for the chain.
- DO NOT use brake fluid to top up hydraulic unit. Use Sealey hydraulic oil only.
- DO NOT remove any labels from the jack. If labels are damaged or unclear replace them.
- ✓ Use qualified person to lubricate and maintain the jack.
- ✓ Before storing ensure jack is clean, free of grease and oil and fully lower the saddle.



**2. INTRODUCTION & SPECIFICATION**

Your Vertical Transmission Jack has been manufactured to a high specification and is equipped with telescopic two-stage hydraulic lift for greater range, precise load control and rapid lift. A foot operated pump system for raising and lowering allows you to use both hands to position the head with the gearbox. It is equipped with a wide base and with swivel ball bearing caster wheels, for stability and manoeuvrability. The saddle tilts 30° forward, 15° backward and 15° either side for precise alignment.

**SPECIFICATION:**

Rated capacity . . . . .	0.5 ton	Saddle backward tilt . . . . .	15°
Saddle height (min.) . . . . .	830mm	Saddle right/left tilt . . . . .	15°
Saddle height (max) . . . . .	1743mm	Base length/width . . . . .	904x904mm
Hydraulic lift . . . . .	913mm	Net weight . . . . .	60kg
Saddle forward tilt . . . . .	30°		

### 3. ASSEMBLY INSTRUCTIONS

Following will assist you identify operating parts. Number reference in figs.1 to 4 correspond with spare parts list to assist with parts order.  
NOTE: Other diagrams use individual identification numbers or letters for ease of use, and do not correspond to fig.1, or part number list.

1.2.	Swivel Caster
3.1A.	Piston rod (large)
3.12.	Piston rod (small)
4.1.	Oil Tank
4.6.	Oil filter plug
5.8.	Foot lifting pedal
6.8.	Foot lowering pedal
7.1.	Saddle base plate
7.18.	Saddle head tilt plate
7.20.	Saddle head bracket type 'A'
7.21.	Saddle head bracket type 'B'
7.22.	Saddle head attachment type 'A'
7.23.	Saddle head attachment type 'B'
7.24.	Saddle head attachment type 'C'
7.30.	Ring chains
7.31.	Hook with screw
7.32.	Hook pin
8.1.	Handle (transport)

fig. 1

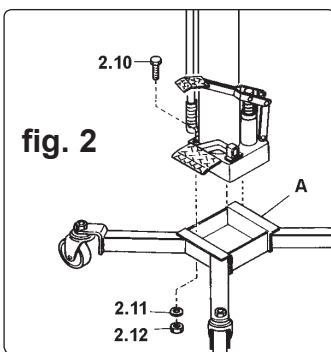
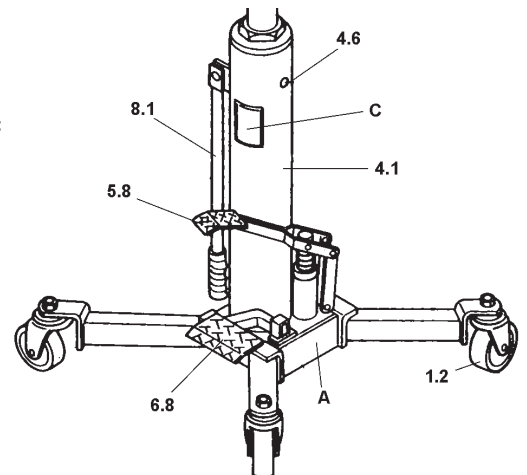
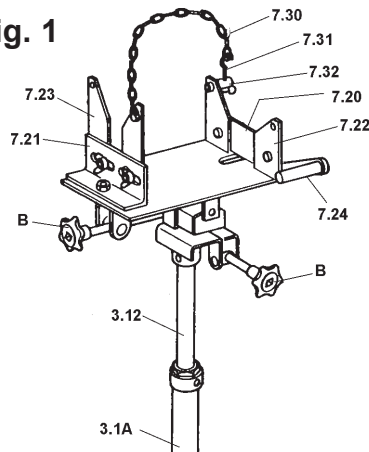


fig. 3

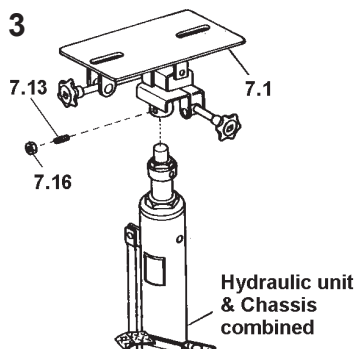
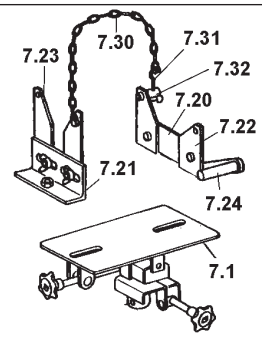


fig. 4



- WARNING! Failure to assemble the jack correctly may result in serious damage, personal or fatal injury.**  
Unpack the product and check contents against the parts listed in these instructions. Should there be any damaged or missing parts contact your supplier immediately.
- Attach power unit (fig.2) onto the chassis legs and castors (A) with assembly bolt (2.10), washer (2.11) and nut (2.12).
  - Attach head plate assembly (fig. 3) with tilt mechanism (7.1) to upper end of hydraulic unit and chassis, and fix with pin bolt (7.13) & nut (7.16).
  - Assemble saddle brackets (fig. 4, 7.20 to 7.24 & 7.30 to 7.32) to saddle base (7.1).

### 4. PRE-USE CHECK LIST

**IMPORTANT: Before EACH use, check jack is in sound working order, use following list to form an habitual pre-check procedure.**  
Check items are not: *broken, cracked, bent, malfunctioning, distorted, worn, loose, damage to welds, leaking, dirty, noisy or missing.*

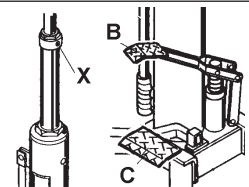
- |                            |                                      |                                   |
|----------------------------|--------------------------------------|-----------------------------------|
| 1..... Saddle attachments  | 6..... Handle                        | 11..... Jack main frame           |
| 2..... Saddle base         | 7..... Cylinder/Hydraulic unit       | 12..... Pump handle.              |
| 3..... Saddle tilt handles | 8..... Stopper rings and Cotter pins | 13..... Foot pumps                |
| 4..... Tilt mechanism      | 9..... All nuts and bolts            | 14..... Swivel caster wheels      |
| 5..... Piston rod          | 10..... All seals                    | 15..... Ring chains, hooks & pins |

**WARNING! DO NOT use jack if any suspect part is found, or if believed to have been subjected to abnormal load or shock. Immediately remove from service and contact your authorised service agent.**

### IMPORTANT: BEFORE THE FIRST USE OF JACK PURGE AIR FROM THE HYDRAULIC CIRCUIT.

Before using the jack for the first time, purge the hydraulic circuit in order to eliminate any air that may have accumulated in the system during transit, as follows:

- Check that pedal (C) is fully closed, and pump foot pedal (B) to raise saddle to the highest position.
- Loosen 'air-purge' plug (X) slowly. Depress foot pedal (B) several times until only oil seeps from the plug.
- Close the plug and lower the jack by depressing foot pedal (C).



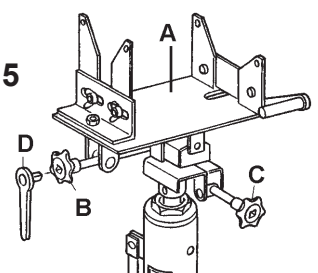
### 5. OPERATING INSTRUCTIONS

#### 5.1. SADDLE TILT MECHANISM.

Adjusting the pitch and tilt of saddle will assist you to safely support and transport the transmission. The saddle (fig.5. A) may be tilted forward 30°, backward 15° by turning knob 'B' and to the left or right 10° by turning 'C'.

**NOTE:** If tilt controls do not turn easily, insert ratchet wrench into hole in handles and rotate accordingly (fig.5. D).

fig. 5



- WARNING! Ensure you prepare vehicle correctly before attempting to use the transmission jack.**
- WARNING! Before use ensure you have read, understood and apply Section 1 safety instructions.**

## 5.2. TO POSITION JACK BENEATH LOAD.

Before use ensure the transmission weight and size does not exceed the capacity of the jack.

- 5.2.1. Ensure the vehicle from which the gearbox is to be removed is correctly positioned, raised and locked on appropriate lift system.
- 5.2.2. Ensure there are no other persons around or under the vehicle.
- 5.2.3. Ensure saddle is in the lowest position and use handle (fig.6. A) to move and centrally position jack beneath gearbox.
- 5.2.4. Check the release pedal (C) is fully closed, and pump foot pedal (fig.6. B) to raise saddle to the load.
- 5.2.5. When the saddle is just beneath transmission re-adjust alignment if necessary to centralise saddle.
- 5.2.6. Position so that the load weight will be equally distributed on saddle, and adjust pitch and tilt controls (fig.5) for final positioning of the saddle.

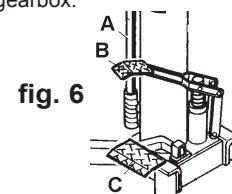


fig. 6

- 5.2.7. Position, adjust and tighten corner support brackets and secure load.

**WARNING! Never place load on the saddle by lowering the vehicle. Always raise jack to the load.**

## 5.3. LOWERING THE LOAD.

**WARNING! Ensure the load is central and stable on the jack saddle before attempting to lower the load.**

**SLOWLY** depress the release pedal (fig.6. C) to **GENTLY** lower the saddle to minimum height before attempting to transport the load.

- \* **IMPORTANT:** Speed of lowering is controlled by amount you depress the pedal. The more the pedal is depressed the more rapid the saddle descent. Ensure the jack's descent is slow and controlled to avoid the risk of sudden dropping.

## 5.4. TRANSPORTING THE LOAD.

**WARNING! Ensure you have read, understood and apply Section 1 safety instructions.**

- 5.4.1. Ensure the jack saddle is fully lowered, then secure the load by placing the support chain over the load, pull taut and engage into slot on opposite side of the saddle. Tighten wing nut.

- 5.4.2. Transport the load over level and solid ground, preferably concrete, and ensure the floor is swept clean.

- 5.4.3. Be diligent in continually monitoring the load in transit. Keep all other persons at a safe distance.

▲ **DANGER! DO NOT use on tarmac, or any soft surface as jack may sink or topple. Serious or fatal injury may result.**

▲ **DANGER! Should jack tip or lean for any reason STOP WHAT YOU ARE DOING AND MOVE QUICKLY TO A SAFE DISTANCE. DO NOT TRY TO HOLD OR STEADY JACK. Serious personal or fatal injury may result.**

## 5.5. RE-INSTALLING A TRANSMISSION.

To transport, reposition beneath a vehicle, and raise a load up, reverse the procedures outlined above.

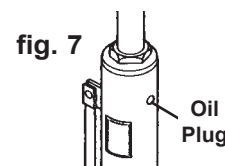


fig. 7

## 6. MAINTENANCE

**IMPORTANT: Only fully qualified personnel should attempt maintenance or repair.**

- 6.1. When the jack is not in use, the saddle must be in the lowest position to minimise ram and piston corrosion.
- 6.2. Lubricate moving parts with acid free oil, and grease the tilt mechanism. Wipe excessive oil and grease off and keep jack clean.
- 6.3. Check hydraulic oil regularly with the saddle in the lowest position.
  - a) Remove oil filler plug (fig.7), add oil to entrance of the oil filling hole and pump up to full height to pour off excess oil. Re-place oil plug.
  - b) The hydraulic oil should be changed once a year. The total capacity is 2,200cc. Contact your authorised dealer for information.
- WARNING! Only use good quality Jack oil, such as SEALEY HYDRAULIC JACK OIL. DO NOT use brake fluid as this will melt seals.**
- 6.4. Before each use check list to ensure components are not damaged, broken, cracked, bent, malfunctioning, distorted, worn, loose, any visible damage to welds, leaking, dirty, noisy or missing, (see Section 4). If any suspect item is found remove jack from service and take necessary action to remedy the problem.
  - DO NOT use the jack if believed to have been subjected to abnormal load or shock. Inspect and take appropriate action.
- 6.5. Periodically check the pump piston and piston rod for signs of corrosion. Clean exposed areas with a clean oiled cloth.

**IMPORTANT: NO RESPONSIBILITY IS ACCEPTED FOR INCORRECT USE OF THE MACHINE.**

Hydraulic products are only repaired by local service agents. We have service/repair agents in all parts of the UK. **DO NOT RETURN JACKS TO US.** Please telephone 01284 757500 to obtain address and phone number of your local agent. If Jack is under guarantee please contact your dealer. **De-commissioning the Jack:** Should the jack become completely unserviceable and require disposal, draw off the oil into an approved container and dispose of the Jack and the oil according to local regulations.

## 7. TROUBLESHOOTING

**IMPORTANT!** Although the following may identify a problem, in most cases the problem must be resolved by your authorised service agent.

THE PROBLEM	THE CAUSE	THE SOLUTION
Jack will not lift	Release valve is open or no hydraulic oil Defective suction valve or delivery valve	Close release valve, adjust oil level. Contact authorised service agent.
Jack will only lift halfway	Hydraulic oil low, or excess of hydraulic oil	Adjust oil level.
Jack will not hold load	Defective valves, or defective piston packing	Contact authorised service agent.
Poor lifting	Defective plunger packing	Contact authorised service agent.
Saddle tilt knob too tight	Bolts and nuts may be bent or rusted.	Check, clean, oil or replace items.
Jack will not lower	Release valve blocked by foreign object	Clear any items from around pedal.

**NOTE:** It is our policy to continually improve products and as such we reserve the right to alter data, specifications and component parts without prior notice.

**IMPORTANT:** No liability is accepted for incorrect use of this product.

**WARRANTY:** Guarantee is 12 months from purchase date, proof of which will be required for any claim.

**INFORMATION:** For a copy of our latest catalogue and promotions call us on 01284 757525 and leave your full name and address, including postcode.



Sole UK Distributor, Sealey Group,  
Kempson Way, Suffolk Business Park,  
Bury St. Edmunds, Suffolk,  
IP32 7AR



01284 757500

01284 703534



www.sealey.co.uk

sales@sealey.co.uk