



## 2/3 TONNE LOW PROFILE/HIGH LIFT TROLLEY JACK WITH ROCKET LIFT

MODEL NO: **3200LEHL**

Thank you for purchasing a Sealey product. Manufactured to a high standard, this product will, if used according to these instructions, and properly maintained, give you years of trouble free performance.

**IMPORTANT:** PLEASE READ THESE INSTRUCTIONS CAREFULLY. NOTE THE SAFE OPERATIONAL REQUIREMENTS, WARNINGS & CAUTIONS. USE THE PRODUCT CORRECTLY AND WITH CARE FOR THE PURPOSE FOR WHICH IT IS INTENDED. FAILURE TO DO SO MAY CAUSE DAMAGE AND/OR PERSONAL INJURY AND WILL INVALIDATE THE WARRANTY. KEEP THESE INSTRUCTIONS SAFE FOR FUTURE USE.



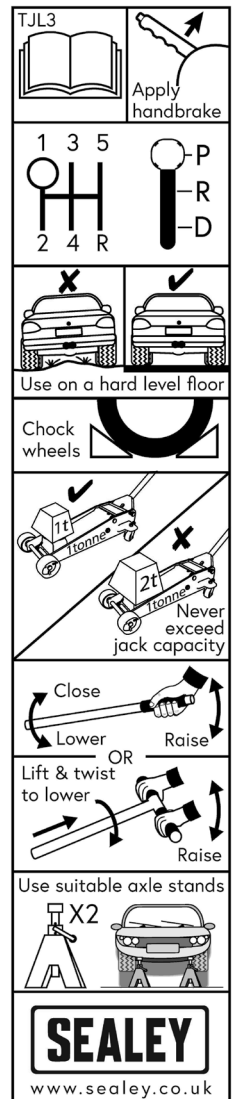
Refer to  
instructions



Wear safety  
footwear

### 1. SAFETY

- ❑ **WARNING!** Please note that the handle socket of this jack is retained under tension and must be released before use. Caution should be taken when releasing, as the handle socket will suddenly raise to its upright position if not controlled.
- ✓ The user shall work only in accordance with this instruction manual.
- ✓ The operator shall be provided with all necessary information about training and about pumping and translating forces.
- ✓ Ensure the jack is in sound condition and good working order. Take action for immediate repair or replacement of damaged parts. Use genuine parts only. **DO NOT** modify the jack. The use of non-genuine parts may be dangerous and will invalidate the warranty.
- ✓ Locate the jack in a suitable, well lit working area.
- ✓ Keep working area clean and tidy and free from unrelated materials. Use jack on level and solid ground, preferably concrete. Avoid tarmac as jack may sink in.
- ✓ Chock wheels of vehicle.
- ✓ Ensure the vehicle handbrake is engaged, engine is switched off and transmission is in gear (or "PARK" if automatic).
- ✓ Ensure minimum distance of 0.5m between vehicle and static objects such as doors, walls, etc. to allow for vehicle tilting.
- ✓ Ensure all non-essential persons keep a safe distance whilst the jack is in use.
- ✓ Ensure there are no passengers in the vehicle.
- ✓ It is necessary that the operator can watch the lifting device and the load during all movements.
- ✓ Place jack under only those lifting points recommended by vehicle manufacturer (see vehicle handbook).
- ✓ Check that the lifting point is stable and centred on the jack saddle.
- ✓ Ensure the jack wheels are free to move and that there are no obstructions.
- ▲ **DANGER:** Use the jack for lifting only, NOT for supporting the lifted load.
- ✓ Ensure there are no persons or obstructions beneath the vehicle before lowering.
- ✓ It is not allowed to work under the raised load until it is secured by suitable means. Use suitable axle stands under the vehicle before proceeding with any task.
- ✓ Use a qualified person to lubricate and maintain the jack.
- ✓ Ensure that only hydraulic jack oil is used in the jack.
- ✗ **DO NOT** operate the jack if damaged.
- ✗ **DO NOT** allow untrained persons to operate the jack.
- ✗ **DO NOT** operate the jack when tired or under the influence of drugs, alcohol or intoxicating medication.
- ✗ **DO NOT** exceed the rated capacity of the jack.
- ✗ **DO NOT** allow the vehicle to move during lifting or lowering, or use the jack to move the vehicle.
- ✗ **DO NOT** jack vehicle if there is a risk of spillage of fuel, battery acid, or other dangerous substances.
- ✗ **DO NOT** work under the vehicle until appropriately rated axle stands have been correctly positioned.
- ✗ **DO NOT** use the jack for purposes other than that for which it is intended.
- ✗ **DO NOT** top up hydraulic system with brake fluid. Use hydraulic jack oil only. (Sealey Part No: HJO500MLS or HJO5LS)
- ✗ **DO NOT** adjust the safety overload valve.
- ✓ When not in use store jack, fully lowered, in a safe, dry, childproof area.
- ✓ If more than 400N of effort is generated in lifting, the efforts shall be lowered by an additional person.
- ✓ Jacks shall be maintained and repaired in accordance with the manufacturer's instructions. Such maintenance and repair shall be carried out by qualified persons.
- ✓ No modifications shall be carried out which adversely affect the compliance of the jack with the standard.
- ✓ Check the state of the markings and that the markings remain as the initial one.



## 2. INTRODUCTION

This 3-in-1 trolley jack, has a lifting span which is quickly and easily adjusted, giving the advantages of a low entry, high lift and super high lift trolley jack all in one. Lifting range from a minimum saddle height of just 98mm for low chassis vehicles, to a maximum saddle height of 770mm for extreme off-road vehicles. Reinforced lifting arm and solid u-channel side plates keeps lift strong and secure. Rocket lift cast iron pump with twin pistons bring the lifting arm into contact with the jacking point in minimal pumps. Long 2-piece handle, to reduce operator effort, supplied with foam bumper to protect bodywork. Rubber pads fitted to both saddles to prevent damage to the underside of the vehicle's jacking point. Heavy-duty 360° castors and large saddle design for easy positioning under vehicle.

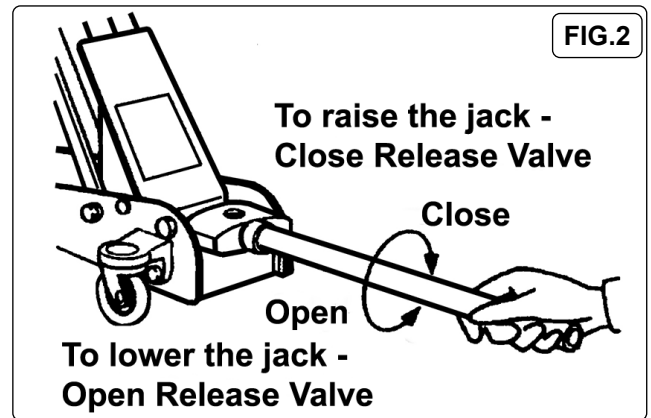
## 3. SPECIFICATION

Model No:.....**3200LEHL**  
 Applicable Standards: ..... EN 1494  
 Capacity:..... Low Profile 2 Tonne/High Lift 3 Tonne  
 Length:..... 805mm

Maximum Chassis Height: ..... 153mm  
 Maximum Saddle Height: ..... 770mm  
 Minimum Saddle Height: ..... 98mm

## 4. OPERATION

- ❑ **WARNING!** Before use ensure you have read, understood and applied Section 1 safety precautions.
- IMPORTANT:** Before use, the operator is to visually inspect the jack for cracked welds, damaged or missing parts or hydraulic leaks.



### 4.1. RELEASING THE RETAINING CLIP (FIG.1)

- ❑ **WARNING!** The handle socket will raise quickly. **DO NOT** place your hand on the top of the handle socket or injury may occur.
- 4.1.1. Seek assistance from a second person if required.
- 4.1.2. Insert a prybar or large screwdriver into the handle socket to aid in releasing pressure in the handle socket.
- 4.1.3. Push down on the handle of the prybar or screwdriver enough to release the tension in the retaining clip, hold down while removing the retaining clip from the end of the handle socket that is securing the handle socket in the down position.
- 4.1.4. Remove the clip from between the handle socket and the lower chassis bar.
- 4.1.5. Using the prybar or screwdriver, gently and in a controlled manner slowly allow the handle socket to raise to its upright position.

### 4.2. BEFORE USE

- 4.2.1. Insert the upper handle into the lower handle.
- 4.2.2. Insert the handle into the handle socket.
- 4.2.3. Tighten the handle retaining bolt.
- 4.2.4. Ensure the handle is secure and fully engaged with the release valve.

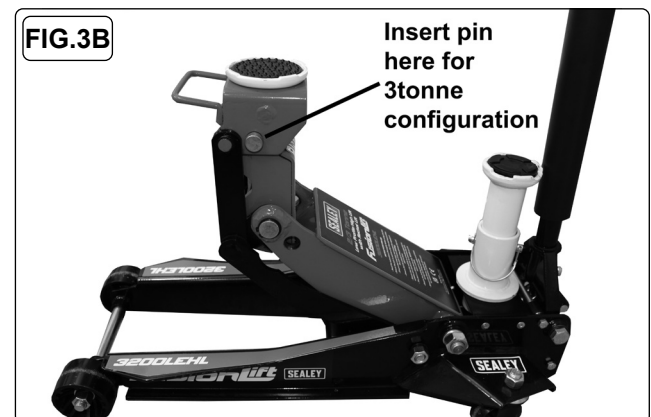
### 4.3. HYDRAULIC SYSTEM PURGING

- 4.3.1. Open the release valve by turning it one full turn counter-clockwise.
- 4.3.2. Pump the handle 20 times.
- 4.3.3. Close the release valve by turning it clockwise.

### 4.4. LOW ENTRY 2TONNE CONFIGURATION FIG.3A



### SUV 3TONNE CONFIGURATION FIG.3B



- 4.4.1. To adjust the trolley jack for each configuration, the head assembly of the lifting arm is moved to the desired position (FIG.3A & 3B) and secured in place with pin. Note pin locations on each configuration.
- 4.4.2. To change the configuration:
  - Raise the jack slightly in Low Entry mode to access the locking pin

- Remove the locking pin
- Holding the handle at the head of the jack pad, lift the jacking head up and back in an arc
- Insert the lock pin into the locking hole in the jacking head

#### 4.5. EXTENSION SADDLE (stowed on top of jack body)

See also pictures of configurations at end of manual

4.5.1. Extension saddle, has 3 adjustable heights. Remove pin and adjust to required height. Refit pin.

#### 4.6. RAISING A VEHICLE

- 4.6.1. We recommend that efforts of raising the load shall be reduced by the use of assistance during this operation.
- 4.6.2. The operator of the jack must watch the jack and the load during all movements.
- 4.6.3. Ensure that the jack and the vehicle are on a hard, level surface.
- 4.6.4. Always ensure that the vehicle handbrake is engaged and that the vehicle wheels are chocked.
- 4.6.5. Consult the vehicle manufacturer's manual to determine the location of correct lifting points.
- 4.6.6. Position the jack under a suitable lifting point.
- 4.6.7. Turn the slow release valve clockwise, to the closed position (FIG.2).

× **DO NOT** over-tighten.

- 4.6.8. Raise the vehicle to the desired height by pumping the handle up and down.
- 4.6.9. Place axle stands beneath the locations recommended by the vehicle manufacturer.
- 4.6.10. Turn the release valve slowly counter-clockwise to lower the vehicle on to the axle stands.

#### 4.7. LOWERING A VEHICLE

- 4.8. Turn the release valve clockwise to the closed position.
- 4.8.1. Pump the handle to raise the vehicle off the axle stands.
- 4.8.2. Remove the axle stands from beneath the vehicle.
- 4.8.3. Turn the release valve slowly counter-clockwise to lower the vehicle to the ground.

**NOTE:** When not in use, ALWAYS leave the saddle and ram fully retracted in their respective storage compartments. Also be aware jack is now fitted with a slow release mechanism for controlled lowering.

## 5. MAINTENANCE

**IMPORTANT:** Only fully qualified personnel should attempt maintenance or repair.

Jacks shall be maintained and repaired in accordance with the manufacturer's instructions. Such maintenance and repair shall be carried out by qualified persons. No modifications shall be carried out which adversely affect the compliance of the jack with the standard. Check the state of the markings and that the markings remain as the initial one.

#### 5.1. MONTHLY MAINTENANCE

Lubrication is critical to jacks. Any restriction due to dirt or rust can cause either slow or extremely rapid jack movement, causing damage to the internal components.

- 5.1.1. Lubricate the ram, all of the pivot points, the linkages and the saddle and pump mechanism with light oil.
- 5.1.2. Grease points: front wheels and handle pivot (FIG.4).
- 5.1.3. Keep all jack surfaces and warning labels clean.
- 5.1.4. Check and maintain the ram oil level.

#### 5.2. THREE MONTHLY MAINTENANCE

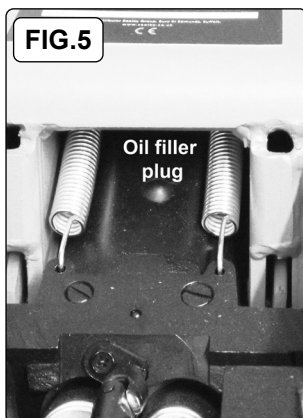
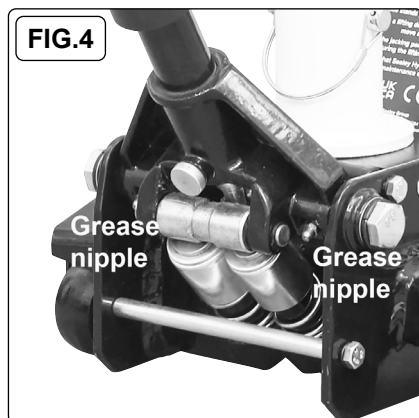
- 5.2.1. At three monthly intervals, check the ram for any signs of rust or corrosion. Clean the ram as required and wipe with an oiled cloth.

#### 5.3. CHECKING THE OIL LEVEL

- 5.3.1. Fully retract the ram by turning the release valve counter-clockwise.
- 5.3.2. With the jack in the level position, remove the oil filler plug (FIG.5).
- 5.3.3. The oil should be level with the bottom of the oil filler hole. If it is not, top up with clean hydraulic jack oil (Sealey Part No. HJO500MLS or HJO5LS)
- 5.3.4. Replace the oil filler plug and check the jack operation.
- 5.3.5. Purge air from the hydraulic unit as required.

**NOTE:** Always store the jack in the fully lowered position. This will protect critical areas from excessive corrosion.

Owing to their size and weight, hydraulic products should ideally be repaired by local service agents. We have service / repair agents in most parts of the UK. Before returning your product please call our technical helpline on **01284 757505** for advice and troubleshooting guidance. *If the jack is under guarantee please contact your stockist.*



2 TONNE CONFIGURATION



3 TONNE CONFIGURATION



3 TONNE SUPER HIGH LIFT CONFIGURATION



**ENVIRONMENT PROTECTION**

Recycle unwanted materials instead of disposing of them as waste. All tools, accessories and packaging should be sorted, taken to a recycling centre and disposed of in a manner which is compatible with the environment. When the product becomes completely unserviceable and requires disposal, drain any fluids (if applicable) into approved containers and dispose of the product and fluids according to local regulations.



REGISTER YOUR PURCHASE HERE

**Note:** It is our policy to continually improve products and as such we reserve the right to alter data, specifications and component parts without prior notice. Please note that other versions of this product are available. If you require documentation for alternative versions, please email or call our technical team on [technical@sealey.co.uk](mailto:technical@sealey.co.uk) or 01284 757505.

**Important:** No Liability is accepted for incorrect use of this product.

**Warranty:** Guarantee is 12 months from purchase date, proof of which is required for any claim.

Sealey Group, Kempson Way, Suffolk Business Park, Bury St Edmunds, Suffolk. IP32 7AR



01284 757500



[sales@sealey.co.uk](mailto:sales@sealey.co.uk)



[www.sealey.co.uk](http://www.sealey.co.uk)