

SEALEY

3 TONNE TROLLEY JACK WITH SUPER ROCKET LIFT & AXLE STANDS (PAIR) - HI-VIS GREEN

MODEL NO: 3015CXHV.V3

Thank you for purchasing a Sealey product. Manufactured to a high standard, this product will, if used according to these instructions, and properly maintained, give you years of trouble free performance.

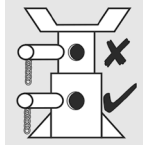
IMPORTANT: PLEASE READ THESE INSTRUCTIONS CAREFULLY. NOTE THE SAFE OPERATIONAL REQUIREMENTS, WARNINGS & CAUTIONS. USE THE PRODUCT CORRECTLY AND WITH CARE FOR THE PURPOSE FOR WHICH IT IS INTENDED. FAILURE TO DO SO MAY CAUSE DAMAGE AND/OR PERSONAL INJURY AND WILL INVALIDATE THE WARRANTY. KEEP THESE INSTRUCTIONS SAFE FOR FUTURE USE.



Refer to instructions



Wear safety footwear

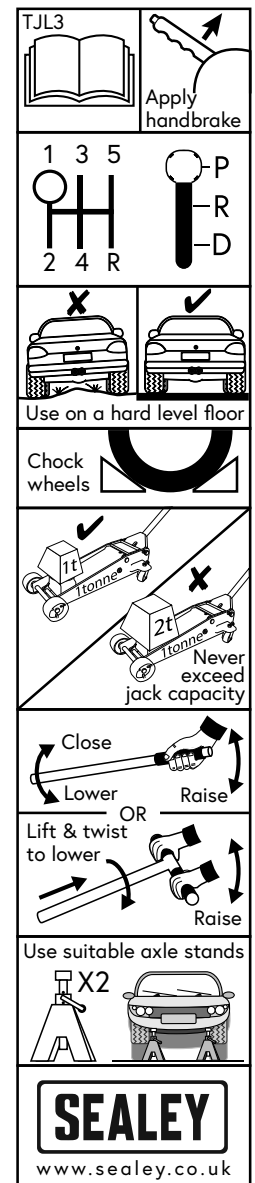


Fit pin through both the stand collar and the centre tube

1. SAFETY

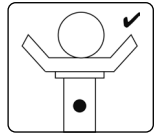
1.1. JACK

- ❑ **WARNING!** Please note that the handle socket of this jack is retained under tension and must be released before use. Caution should be taken when releasing, as the handle socket will suddenly raise to its upright position if not controlled.
- ✓ The user shall work only in accordance with this instruction manual.
- ✓ The operator shall be provided with all necessary information about training and about pumping and translating forces.
- ✓ Ensure the jack is in sound condition and good working order. Take action for immediate repair or replacement of damaged parts. Use genuine parts only. **DO NOT** modify the jack. The use of non-genuine parts may be dangerous and will invalidate the warranty.
- ✓ Locate the jack in a suitable, well lit working area.
- ✓ Keep working area clean and tidy and free from unrelated materials. Use jack on level and solid ground, preferably concrete. Avoid tarmac as jack may sink in.
- ✓ Chock wheels of vehicle.
- ✓ Ensure the vehicle handbrake is engaged, engine is switched off and transmission is in gear (or "PARK" if automatic).
- ✓ Ensure minimum distance of 0.5m between vehicle and static objects such as doors, walls, etc. to allow for vehicle tilting.
- ✓ Ensure all non-essential persons keep a safe distance whilst the jack is in use.
- ✓ Ensure there are no passengers in the vehicle.
- ✓ It is necessary that the operator can watch the lifting device and the load during all movements.
- ✓ Place jack under only those lifting points recommended by vehicle manufacturer (see vehicle handbook).
- ✓ Check that the lifting point is stable and centred on the jack saddle.
- ✓ Ensure the jack wheels are free to move and that there are no obstructions.
- ▲ **DANGER:** Use the jack for lifting only, NOT for supporting the lifted load.
- ✓ Ensure there are no persons or obstructions beneath the vehicle before lowering.
- ✓ It is not allowed to work under the raised load until it is secured by suitable means. Use suitable axle stands under the vehicle before proceeding with any task.
- ✓ Use a qualified person to lubricate and maintain the jack.
- ✓ Ensure that only hydraulic jack oil is used in the jack.
- * **DO NOT** operate the jack if damaged.
- * **DO NOT** allow untrained persons to operate the jack.
- * **DO NOT** operate the jack when tired or under the influence of drugs, alcohol or intoxicating medication.
- * **DO NOT** exceed the rated capacity of the jack.
- * **DO NOT** allow the vehicle to move during lifting or lowering, or use the jack to move the vehicle.
- * **DO NOT** jack vehicle if there is a risk of spillage of fuel, battery acid, or other dangerous substances.
- * **DO NOT** work under the vehicle until appropriately rated axle stands have been correctly positioned.
- * **DO NOT** use the jack for purposes other than that for which it is intended.
- * **DO NOT** top up hydraulic system with brake fluid. Use hydraulic jack oil only. (Sealey Part No: HJO500MLS or HJO5LS)
- * **DO NOT** adjust the safety overload valve.
- ✓ When not in use store jack, fully lowered, in a safe, dry, childproof area.
- ✓ If more than 400N of effort is generated in lifting, the efforts shall be lowered by an additional person.
- ✓ Jacks shall be maintained and repaired in accordance with the manufacturer's instructions. Such maintenance and repair shall be carried out by qualified persons.
- ✓ No modifications shall be carried out which adversely affect the compliance of the jack with the standard.
- ✓ Check the state of the markings and that the markings remain as the initial one.



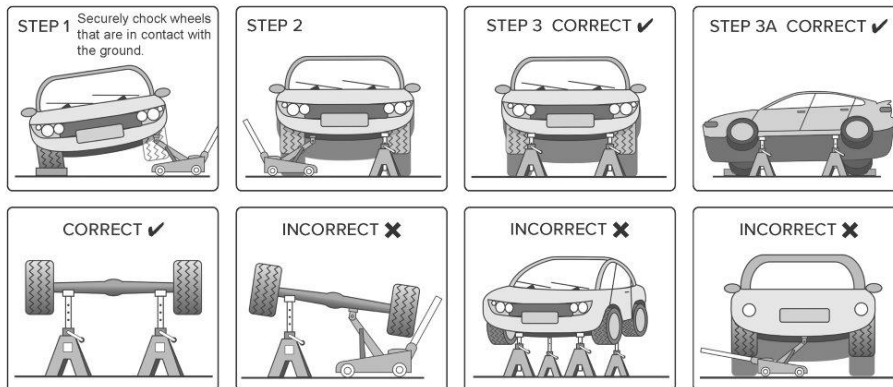
1.2. AXLE STANDS

❑ **WARNING! DO NOT OVERLOAD AXLE STANDS BEYOND RATED CAPACITY. OVERLOADING CAN CAUSE DAMAGE TO, OR FAILURE OF, THE AXLE STANDS. POSITION LOAD ON CENTRE OF CRUTCH/SADDLE ONLY. ALWAYS USE STANDS IN PAIRS ON HARD LEVEL SURFACE CAPABLE OF SUSTAINING THE LOAD. USE OF STANDS ON OTHER THAN HARD LEVEL SURFACES CAN RESULT IN LOAD INSTABILITY AND POSSIBLE LOSS OF LOAD. DO NOT USE ON TARMACADAM. FAILURE TO FOLLOW THESE INSTRUCTIONS MAY RESULT IN DAMAGE TO AXLE STANDS, LOSS OF LOAD RESULTING IN PROPERTY DAMAGE, SERIOUS PERSONAL INJURY OR LOSS OF LIFE.**



▲ **DANGER! GREAT CARE MUST BE TAKEN TO ENSURE YOU LOWER THE VEHICLE (OR OTHER LOAD) SLOWLY AND CAREFULLY ONTO THE CENTRES OF THE CRUTCH/SADDLE OF THE AXLE STANDS.**

- ✓ Fit pin through both the stand collar and the centre tube.
- ✓ Use only as specified by the manufacturer.
- ✓ Ensure the load does not exceed the maximum capacity as marked on the axle stand, per pair.
- ✓ Use no more than a single pair of stands either on the front, rear or one side of the vehicle. Use in pairs.
- ✓ No alterations or modifications shall be made to this product.
- ✓ Use on a hard, level surface, e.g. concrete. **DO NOT** use on uneven ground or tarmac.
- ✓ Securely chock wheels in contact with the ground.
- ✓ Before jacking and placing the stands, apply vehicle handbrake (put automatics in 'Park').
- ✓ Make sure that each stand is securely located under a strong point on the vehicle; consult the vehicle manufacturer's handbook for guidance. Ensure that height adjust locking mechanism is fully located before applying any load to the axle stand.
- ✓ Ensure that the load is located centrally on the saddle, and that the weight is directed through the vertical axis of the stand. Exercise extra care when using with a three wheeled vehicle or a trailer. Refer to vehicle manufacturer's instructions.
- ✓ Once vehicle is supported, ensure that the vehicle and stands are stable before starting work. Ensure that it is not possible for the vehicle to move before commencing any work.
- ✓ Inspect stands before each use. **DO NOT** use if they show signs of damage.
- ✗ **DO NOT** use if it is suspected that they have been overloaded.
- ✓ Before commencing any work or going beneath the vehicle, undertake a risk assessment. Ensure that a responsible person is aware of the work about to be undertaken.
- ✓ Replace any labels on the axle stand should they become unreadable. This applies in particular to any warning or operation instruction labels. If replacement labels are required, contact your Sealey stockist.
- ✗ **DO NOT** use axle stands on the highway, or anywhere else if it is deemed to be unsafe.
- ✗ **DO NOT** push or twist the vehicle/load whilst it is supported on stands.
- ✗ **DO NOT** mix components between stands. Use only as supplied.
- ✗ **DO NOT** allow children or animals in the vicinity of a vehicle supported on axle stands.
- ✗ **DO NOT** leave a vehicle on axle stands in an area that could be considered a hazard to others or property.
- ✓ **FOLLOW STEPS 1, 2, AND 3 TO CORRECTLY PLACE VEHICLE / LOAD ONTO AXLE STANDS.**



2. INTRODUCTION

Single-piece hydraulic unit with heavy chassis design and large jacking saddle (Pad available as optional extra - Model No. JP30). Universal joint release mechanism allows safer, more controlled lowering of the jack. Twin piston Super Rocket Lift feature brings lifting arm straight into contact with the jacking point. Polyurethane wheels for smoother manoeuvrability and helps prevent damage to workshop floor. Fitted with safety overload valve and pump-through valve to prevent handle locking at maximum ram extension. Ideal for loaded vans up to 3.5 Tonne GVW. Supplied with Pin Type Axle Stands, 3 Tonne (3000kg) capacity per stand, 6 Tonne (6000kg) per pair. Min./Max. Working Height: 290/435mm.

3. SPECIFICATION

Model No:..... 3015CXHV.V3

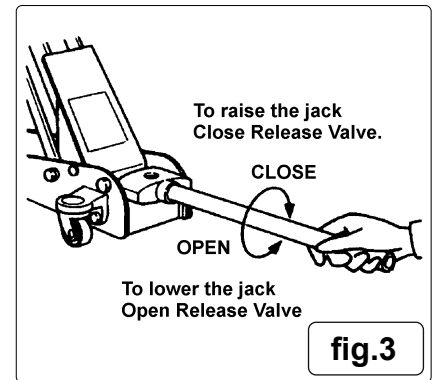
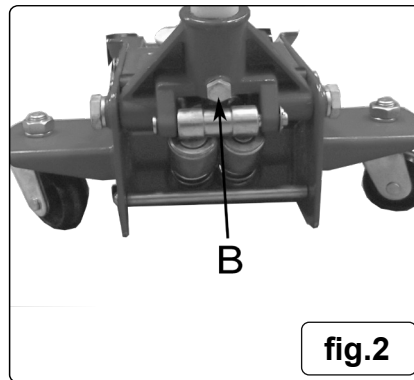
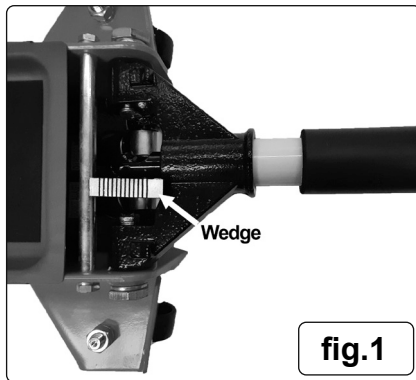
Jacks:

Applicable Standard:..... EN 1494
 Minimum Saddle Height: 120mm
 Maximum Saddle Height: 456mm
 Length:..... 680mm
 Maximum Chassis Height:..... 162mm
 Consumable Parts: Jack Pad - JP30

Axle Stands:

Min. Working Height..... 290mm
 Max. Working Height..... 435mm

4. OPERATION - JACK



4.1. RELEASING THE RETAINING WEDGE (FIG.1)

- 4.1.1. Seek assistance from a second person if required.
- 4.1.2. Insert the lower handle section into the handle socket and secure with the retaining bolt to aid in releasing pressure in the handle socket.
- 4.1.3. Push down on the handle and hold down while removing the retaining wedge that is securing the handle socket in the down position.
- 4.1.4. Remove the wedge.
- 4.1.5. Gently and in a controlled manner slowly allow the lower handle section and handle socket to raise to their upright position.

4.2. Ensure the handle is engaged with the drive of the release valve before tightening the handle socket and screw (fig.2B).

- 4.2.1. Insert the upper half of the handle into the lower half ensuring the lock button engages.

4.3. HYDRAULIC SYSTEM PURGE

- 4.3.1. Before using jack, purge the hydraulic unit in order to eliminate any air in the system. Open the valve by turning the handle anti-clockwise (fig.3), and pumping 8 or 9 times. When complete, close the release valve by turning the handle fully clockwise (fig.3).
- 4.3.2. Place a few drops of hydraulic jack oil onto the pump piston and pump the handle several times to distribute the oil. Thoroughly lubricate all moving parts.

4.4. GENERAL JACKING

- WARNING!** Before lifting ensure Section 1 Safety Instructions are read and understood.
- 4.4.1. Prepare the vehicle as mentioned in the safety instructions ensuring the ground on which the jack is to stand is level and solid (not tarmac/adam) and use chocks under wheels of vehicle.
- 4.4.2. Position the jack saddle under the vehicle manufacturer's recommended lifting point.

4.5. JACKING THE VEHICLE

- 4.5.1. Turn the handle clockwise to close the release valve (fig.3) and commence pumping handle up and down until the jack saddle reaches the vehicle jacking point. Check the jacking point is centrally located on the saddle and continue to pump the handle to raise the vehicle.
- 4.5.2. Should the jack become overloaded, a safety excess pressure valve will open and stop the jack from lifting.

- WARNING!** The jack is a lifting device only and must not be used to support the load. Use correctly rated axle stands to support the load.

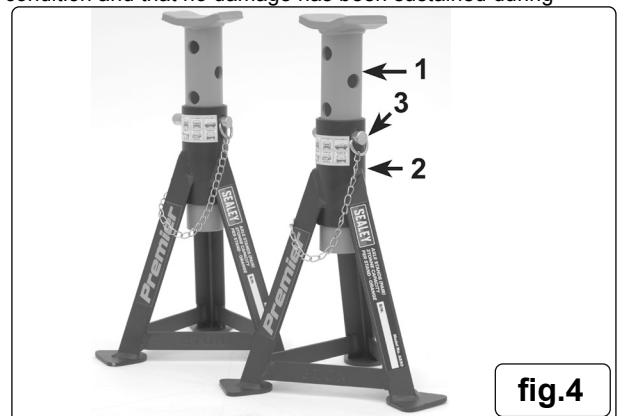
4.6. LOWERING THE VEHICLE

- WARNING!** Ensure there are no persons or obstacles beneath the vehicle, or in the path of its descent.
- 4.6.1. Raise the jack high enough for the axle stands to be easily removed. Then turn the handle slowly anti-clockwise to open the release valve (fig.3).
- 4.6.2. Turn the release valve slowly counter-clockwise to lower the vehicle to the ground.

NOTE: When not in use, ALWAYS leave the saddle and ram fully retracted. Also be aware jack is now fitted with a slow release mechanism for controlled lowering.

5. OPERATION - AXLE STANDS

- 5.1. Familiarise yourself with the product. Check that the stands are in good condition and that no damage has been sustained during transit. Insert the centre column (fig.4-1) in the centre tube (fig.4-2), adjust to height required and insert the locking pin (fig.4-3).
- 5.2. Ensure the maximum load does not exceed 6tonne per pair of axle stands, (3 tonne for each stand).
- 5.3. Refer to vehicle manufacturer's instructions for recommended support points.
- 5.4. Check that the points are in good condition.
- 5.5. Ensure the vehicle brake is on (or in park mode) and wheels are chocked.
- 5.6. Adjust height of stand to correspond with the raised vehicle.
- 5.7. Check that the locking pin is correctly pushed all the way through the stand collar, centre tube and out of the other side, then position stands under vehicle at points recommended by vehicle manufacturer.
- 5.8. Carefully and slowly lower the load onto stands. Ensure the load bearing points sit in the center of the stand saddle and check that the stands are stable and not leaning. Also ensure that there are no objects or persons that could impede the safe lowering of the vehicle onto the stands.
- 5.9. To remove stands jack vehicle slightly so that stand can be removed.
- 5.10. After use, hold the centre column (fig.4-1) firmly when removing the locking pin (fig.4-3). Failure to do so will allow the center column to fall freely through the main center tube which could be dangerous.



6. MAINTENANCE - JACK

IMPORTANT: Only fully qualified personnel should attempt maintenance or repair.

Jacks shall be maintained and repaired in accordance with the manufacturer's instructions. Such maintenance and repair shall be carried out by qualified persons. No modifications shall be carried out which adversely affect the compliance of the jack with the standard. Check the state of the markings and that the markings remain as the initial one.

- ✓ Jacks shall be maintained and repaired in accordance with the manufacturer's instructions. Such maintenance and repair shall be carried out by qualified persons.
- ✓ No modifications shall be carried out which adversely affect the compliance of the jack with the standard.
- ✓ Check the state of the markings and that the marking remain as the initial one.
- ✓ When the jack is not in use, the ram and the handle socket should be in their lowest positions to minimise corrosion. Remove the handle to deactivate the jack.
- ✓ Keep the jack clean and lubricate all moving parts on a regular basis.
- ✓ Before each use, check for broken, cracked, bent, or loose parts, or any visible damage to ram, pump, saddle, lifting arm, frame and all parts including nuts, bolts, pins and other fasteners. If any suspect item is found remove jack from service and take necessary action to remedy the problem.
- ✗ **DO NOT** use the jack if believed to have been subjected to abnormal load or shock load.
- ✓ Periodically check the pump piston and piston rod for signs of corrosion. Clean exposed areas with a clean oiled cloth.
- ✓ After one year the oil should be replaced in order to extend the life of the jack. Use hydraulic jack oil only.
- IMPORTANT:** Only fully qualified personnel should attempt hydraulic maintenance or repair.
- ✓ To check the hydraulic oil level, fully lower the jack and the handle and remove the tray covering the oil filler plug, remove the oil filler plug. The correct oil level should be approximately 5mm below the filler opening. If oil level is low, fill as required. Make sure that dirt is not allowed to enter the hydraulic system. Carefully pump unloaded jack 5 or 6 times to expel any air and then refit oil filler plug.
- NOTE:** Use a good quality hydraulic jack oil, such as SEALEY HYDRAULIC JACK OIL.
- **WARNING: DO NOT** use brake fluid, or any fluid other than hydraulic jack oil, as this may cause serious damage to the jack and will invalidate the warranty!
- IMPORTANT: NO RESPONSIBILITY IS ACCEPTED FOR INCORRECT USE OF THE JACK.**
- Hydraulic products are only repaired by local service agents. We have service/repair agents in all parts of the UK. **DO NOT RETURN JACKS TO US.** Please telephone 01284 757500 to obtain address and 'phone number of your local agent. If Jack is under guarantee please contact your dealer.*
- ✓ Should the jack become completely unserviceable and require disposal, draw off the oil into an approved container and dispose of the jack and the oil according to local regulations.

7. MAINTENANCE - AXLE STANDS

- ✓ Before each use, check that stands and stand welds are not cracked and that there are no missing or damaged parts.
- ✓ Any suspect axle stands must be removed from service immediately.
- ✗ Due to the potential hazards associated with stands, **DO NOT** misuse, or make any modification to, the stands or components.
- ✓ It is the responsibility of the owner to ensure that the operator has read these instructions together with the safety features on the side of the stand and that the operator is aware of the stand uses and limitations.

8. TROUBLESHOOTING - JACK

PROBLEM	POSSIBLE CAUSE	SOLUTION
Jack will not lift the load	1) Overloaded 2) Oil level low 3) Release valve not correctly closed 4) Air in system 5) Piston rod not functioning 6) Packing worn or defective	1) Be sure to use jack with adequate capacity 2) Top up oil level 3) Check and close release valve 4) Open release valve and pump the handle a few times. Close valve and re-try 5) Clean and replace oil 6) Replace packing
Jack does not lift high enough or feels "spongy"	1) Oil level too high or too low 2) Worn seals 3) Air in system 4) Release valve not closed	1) Top up oil level or remove excess oil 2) Return jack to local service agent 3) Open release valve and pump the handle a few times. Close valve and re-try 4) Check and close release valve
Jack lifts poorly	1) Pump packing or valves malfunctioning 2) Oil is dirty 3) Air in the system	1) Replace packing and/or clean valves 2) Replace oil 3) Open release valve and pump the handle a few times. Close valve and re-try
Jack lifts but will not hold load	1) Release valve partially open 2) Dirt on valve seats 3) Air in system 4) Faulty seals 5) Packing worn or defective	1) Check and close release valve 2) Lower jack, close release valve. Place foot on front wheel and pull up lifting arm to it's full height by hand Open the release valve to lower arm 3) Open release valve and pump the handle a few times. Close valve and re-try 4) Replace packing or contact local service agent 5) Replace packing

Jack will not lower completely	<ul style="list-style-type: none"> 1) Unit requires lubrication 2) Piston rod bent or damaged 3) Jack frame/link system distorted due to overloading/poor positioning 4) Air in system 5) Release valve partially open 6) Jack spring damaged 	<ul style="list-style-type: none"> 1) Oil all external moving parts 2) Replace rod or contact local service agent 3) Replace damaged parts or contact local service agent 4) Open release valve and pump the handle a few times. Close valve and re-try 5) Check and fully open release valve 6) Replace spring or contact local service agent
Jack does not lower at all	<ul style="list-style-type: none"> 1) Release valve still closed 	<ul style="list-style-type: none"> 1) Check and fully open release valve



ENVIRONMENT PROTECTION

Recycle unwanted materials instead of disposing of them as waste. All tools, accessories and packaging should be sorted, taken to a recycling centre and disposed of in a manner which is compatible with the environment. When the product becomes completely unserviceable and requires disposal, drain any fluids (if applicable) into approved containers and dispose of the product and fluids according to local regulations.



Note: It is our policy to continually improve products and as such we reserve the right to alter data, specifications and component parts without prior notice. Please note that other versions of this product are available. If you require documentation for alternative versions, please email or call our technical team on technical@sealey.co.uk or 01284 757505.

Important: No Liability is accepted for incorrect use of this product.

Warranty: Guarantee is 12 months from purchase date, proof of which is required for any claim.

Sealey Group, Kempson Way, Suffolk Business Park, Bury St Edmunds, Suffolk. IP32 7AR



01284 757500



sales@sealey.co.uk



www.sealey.co.uk