



3 TONNE LOW ENTRY TROLLEY JACK WITH ROCKET LIFT

MODEL NO: **3000LE.V2 SERIES**

Thank you for purchasing a Sealey product. Manufactured to a high standard, this product will, if used according to these instructions, and properly maintained, give you years of trouble free performance.

IMPORTANT: PLEASE READ THESE INSTRUCTIONS CAREFULLY. NOTE THE SAFE OPERATIONAL REQUIREMENTS, WARNINGS & CAUTIONS. USE THE PRODUCT CORRECTLY AND WITH CARE FOR THE PURPOSE FOR WHICH IT IS INTENDED. FAILURE TO DO SO MAY CAUSE DAMAGE AND/OR PERSONAL INJURY AND WILL INVALIDATE THE WARRANTY. KEEP THESE INSTRUCTIONS SAFE FOR FUTURE USE.



Refer to instructions



Wear safety footwear

1. SAFETY

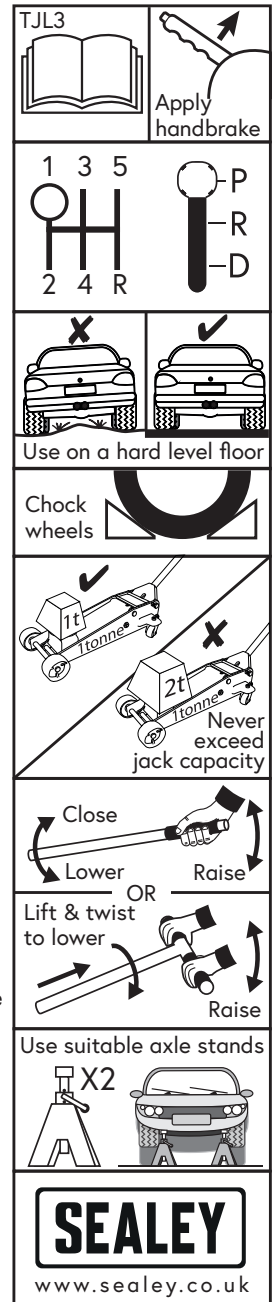
- ✓ Ensure the jack is in sound condition and good working order. Take action for immediate repair or replacement of damaged parts. Use recommended parts only. The use of improper parts may be dangerous and will invalidate the warranty.
- ✓ Locate the jack in an adequate, well lit working area for its function.
- ✓ Keep working area clean and tidy and free from unrelated materials.
- ✓ Use jack on level and solid ground, preferably concrete. Avoid tarmac as jack may sink in.
- ✓ Place wedges under wheels of vehicle (but ensure wheels of jack can move freely).
- ✓ Ensure the vehicle handbrake is engaged (or in "PARKED" mode), and switch the engine off.
- ✓ Ensure minimum distance of 0.5m between vehicle tilt & static objects such as doors, walls, etc.
- ✓ Ensure all non essential persons keep a safe distance whilst the jack is in use.
- ✓ Ensure there are no passengers in the vehicle to be jacked up.
- ✓ Place jack under vehicle manufacturer's recommended lifting points (see vehicle hand book).
- ✓ Check that the lifting point is stable and centred on the jack saddle.
- ✓ Ensure the jack wheels are free to move and that there are no obstructions.
- ☐ **WARNING:** The jack is a lifting device only.
- ✓ To support the load always use axle stands (available from your Sealey stockist).
- ✓ Ensure there are no persons or obstruction beneath the vehicle before lowering.
- ✓ Use a qualified person to lubricate and maintain the jack.
- ✓ Use only hydraulic jack oil.
- ✓ When not in use store jack in a safe, dry, child proof area in the lowered position.
- ✗ **DO NOT** jack vehicle which may result in spillage of fuel, battery acid, or dangerous substances.
- ✗ **DO NOT** work under the vehicle until axle stands have been correctly positioned.
- ✗ **DO NOT** operate the jack if damaged.
- ✗ **DO NOT** exceed the rated capacity of the jack.
- ✗ **DO NOT** use the jack for purposes other than which it is intended.
- ✗ **DO NOT** top up the hydraulic unit with brake fluid. Use hydraulic oil only.
- ✗ **DO NOT** allow untrained persons to operate the jack.
- ✗ **DO NOT** allow the vehicle to move whilst lifting or lowering.
- ✗ **DO NOT** use the jack to move vehicle.
- ✗ **DO NOT** adjust the safety overload valve.

2. INTRODUCTION

Twin piston Rocket Lift feature brings saddle to maximum height in minimal strokes. Universal joint release mechanism allows safer, more controlled lowering of jack. Profiled lifting arm gives low clearance height of just 85mm making it suitable for sports and custom cars. Heavy-duty steel chassis provides stability and endurance. Fitted with an overload valve for added safety. Hydraulic oil bypass system protects ram from being overextended.

3. SPECIFICATION

Model No: 3000LE.V2, LEHV.V2
 Applicable Standards: EN1494
 Capacity: 3tonne
 Consumable Parts:Replacement Rubber Jack Pad - JP17
 Length: 702mm
 Maximum Chassis Height: 153mm
 Maximum Saddle Height: 500mm
 Minimum Saddle Height: 85mm



4. ASSEMBLY

- 4.1. Push top section of handle into bottom section. Rotate until push button locates into hole in top section, to secure.
- 4.2. Loosen location bolt at the side of the handle base. Insert jack handle and tighten the bolt.

5. OPERATION

IMPORTANT SAFETY WARNING: ALWAYS USE AXLE STANDS

Please remember a trolley jack is a lifting device and is not designed to support a load. Never get underneath a vehicle supported only by a jack - your life is at risk. We stock a comprehensive range of axle stands - please see relative section for full details.

5.1. BEFORE FIRST USE

Before using the jack, purge hydraulic circuit in order to eliminate any possible air in the system by turning the handle anti-clockwise to open the release valve, and pumping 15 to 20 times (fig.1). At the end of the last downward stroke shut the valve off again by turning the handle clockwise.

5.2. GENERAL

- **WARNING!** Before lifting ensure chapter 1 safety instructions are strictly followed.

5.2.1. Prepare the vehicle as mentioned in the safety instructions ensuring the ground on which the jack is to stand is level and solid (not tarmacadam).

5.2.2. Position the jack saddle under the vehicle manufacturer's recommended lifting point. (See vehicle handbook for details).

5.3. JACKING THE VEHICLE

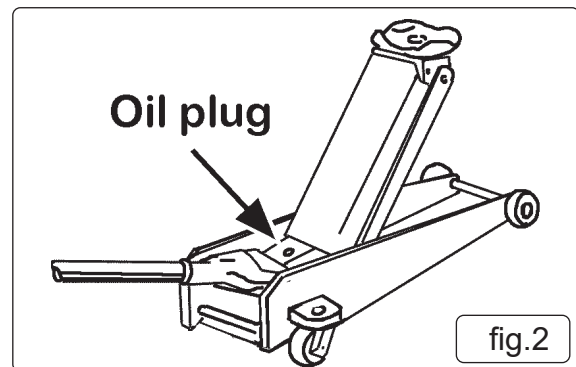
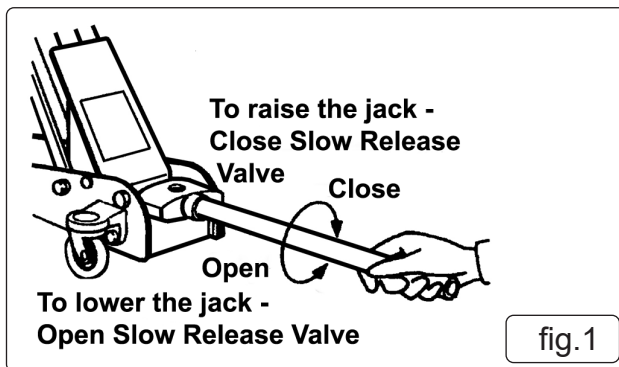
5.3.1. Turn the handle clockwise to close the valve and commence pumping the handle up and down using maximum strokes until the vehicle reaches the desired working height.

5.3.2. Should the jack become overloaded, a safety excess pressure valve will open, and stop the jack from lifting.

5.4. WEIGHT DISTRIBUTION

Up to 80% of the lifted load is carried by the front jack wheels placing exceptional stress on the point of contact with the supporting floor. For this reason use on a hard level concrete surface only.

5.5. LOWERING THE LOAD



The lowering speed is controlled by the amount you turn the handle. Lower slowly and carefully, avoiding sudden release.

- **WARNING!** Ensure there are no persons or obstacles beneath the vehicle, or in the path of its descent.

6. MAINTENANCE

IMPORTANT: Only fully qualified personnel should attempt maintenance or repair.

6.1. When the jack is not in use, the ram should be in its lowest position to minimise corrosion. Remove the handle to deactivate jack.

6.2. Keep the jack clean and lubricate all moving parts with oil on a regular basis.

6.3. To check the oil level, fully lower the jack. Remove filler plug (fig.2). The correct oil level should be approximately 5mm below the filler opening. If oil level is low, fill as required. Pump unloaded jack 15 to 20 times to expel air and then refit plug.

NOTE: Use a good quality jack oil, such as SEALEY HYDRAULIC JACK OIL.

- **WARNING: DO NOT** use brake fluid, or any fluid other than hydraulic jack fluid as this may cause serious damage to the jack and will invalidate the warranty!

6.4. Before each use check for broken, cracked, bent, or loose parts, or any visible damage to welds, ram, pump, saddle, lifting arm, frame and all parts including nuts, bolts, pins and other fasteners. If any suspect item is found remove jack from service and take necessary action to remedy the problem. **DO NOT** use the jack if believed to have been subjected to abnormal load or shock. Inspect and take appropriate action.

6.5. Every three months remove the locking rings on the caster wheels and lubricate the ball bearings with acid free grease.

6.6. After a year of extensive use, the oil should be replaced in order to extend the life of your jack. To drain the oil, remove the filler cap and valve. Make sure that no dirt is allowed to enter the hydraulic system's oil. Dispose of oil according to local authority regulations. See 6.3. for refill instructions.

6.7. Periodically check the pump piston and piston rod for signs of corrosion. Clean exposed areas with a clean oiled cloth.

IMPORTANT: NO RESPONSIBILITY IS ACCEPTED FOR INCORRECT USE OF THE JACK.

Hydraulic products are only repaired by local service agents. We have service/repair agents in all parts of the UK.

DO NOT RETURN JACKS TO US. Please telephone us on 01284 757500 to obtain the address and phone number of your local agent. If jack is under guarantee please contact your stockist.

7. TROUBLESHOOTING

Problem	Possible Cause	Remedy
Jack will not lift the load	Overloaded	Be sure to use jack with adequate capacity
	Oil level low	Top up oil level
	Release valve not correctly closed	Check and close release valve
	Air in system	Check and close release valve and air vent (if fitted) and pump the handle 15 to 20 times. Close valve and re-try.
	Piston rod not functioning	Clean and replace oil
	Packing worn or defective	Replace packing
Jack does not lift high enough or feels "spongy"	Oil level too high or too low	Fill or remove excess oil
	Worn Seals	Return jack to local service agent
	Air in system	Open release valve and air vent (if fitted) and pump the handle 15 to 20 times. Close valve and re-try
	Release valve not closed	Check and close release valve and re-try
Jack lifts poorly	Pump packing or valves malfunctioning	Replace packing and/or clean valves
	Oil is dirty	Replace oil
	Air in the system	Open release valve and air vent (if fitted) and pump the handle 15 to 20 times Close valve and re-try
Jack lifts but will not hold load	Release valve partially open	Check and close release valve
	Dirt on valve seats	Lower jack, close release valve. Place foot on front wheel and pull up lifting arm to it's full height by hand. Open the release valve to lower arm
	Air in system	Open release valve and air vent (if fitted) and pump the handle 15 to 20 times. Close valve and re-try
	Faulty Seals	Replace packing or contact local service agent
	Packing worn or defective	Replace packing
Jack will not lower completely	Unit requires lubrication	Oil all external moving parts
	Piston rod bent or damaged	Replace rod or contact local service agent
	Jack frame/link system distorted due to overloading/poor positioning	Replace damaged parts or contact service agent
	Air in system	Open release valve and air vent (If fitted) and pump the handle 15 to 20 times. Close valve and re-try
	Release valve partially open	Check and fully open release valve
	Jack spring damaged	Replace spring or contact service agent
Jack does not lower at all	Release valve still closed	Check and fully open release valve



ENVIRONMENT PROTECTION

Recycle unwanted materials instead of disposing of them as waste. All tools, accessories and packaging should be sorted, taken to a recycling centre and disposed of in a manner which is compatible with the environment. When the product becomes completely unserviceable and requires disposal, drain any fluids (if applicable) into approved containers and dispose of the product and fluids according to local regulations.



Note: It is our policy to continually improve products and as such we reserve the right to alter data, specifications and component parts without prior notice. Please note that other versions of this product are available. If you require documentation for alternative versions, please email or call our technical team on technical@sealey.co.uk or 01284 757505.

Important: No Liability is accepted for incorrect use of this product.

Warranty: Guarantee is 12 months from purchase date, proof of which is required for any claim.

Sealey Group, Kempson Way, Suffolk Business Park, Bury St Edmunds, Suffolk. IP32 7AR

01284 757500

sales@sealey.co.uk

www.sealey.co.uk