



2.5 TONNE TROLLEY JACK CAR JACK LOW PROFILE WITH ROCKET LIFT

MODEL NO'S: **2500LE.V3, 2501LE.V1**

Thank you for purchasing a Sealey product. Manufactured to a high standard, this product will, if used according to these instructions, and properly maintained, give you years of trouble free performance.

IMPORTANT: PLEASE READ THESE INSTRUCTIONS CAREFULLY. NOTE THE SAFE OPERATIONAL REQUIREMENTS, WARNINGS & CAUTIONS. USE THE PRODUCT CORRECTLY AND WITH CARE FOR THE PURPOSE FOR WHICH IT IS INTENDED. FAILURE TO DO SO MAY CAUSE DAMAGE AND/OR PERSONAL INJURY AND WILL INVALIDATE THE WARRANTY. KEEP THESE INSTRUCTIONS SAFE FOR FUTURE USE.



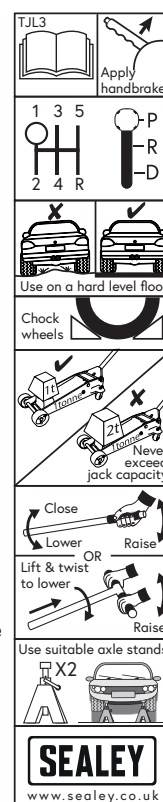
Refer to instructions



Wear safety footwear

1. SAFETY

- ❑ **WARNING!** Please note that the handle socket of this jack is retained under tension and must be released before use. Caution should be taken when releasing, as the handle socket will suddenly raise to its upright position if not controlled.
- ✓ The user shall work only in accordance with this instruction manual.
- ✓ The operator shall be provided with all necessary information about training and about pumping and translating forces.
- ✓ Ensure the jack is in sound condition and good working order. Take action for immediate repair or replacement of damaged parts. Use genuine parts only. **DO NOT** modify the jack. The use of non-genuine parts may be dangerous and will invalidate the warranty.
- ✓ Locate the jack in a suitable, well lit working area.
- ✓ Keep working area clean and tidy and free from unrelated materials. Use jack on level and solid ground, preferably concrete. Avoid tarmac as jack may sink in.
- ✓ Chock wheels of vehicle.
- ✓ Ensure the vehicle handbrake is engaged, engine is switched off and transmission is in gear (or "PARK" if automatic).
- ✓ Ensure minimum distance of 0.5m between vehicle and static objects such as doors, walls, etc. to allow for vehicle tilting.
- ✓ Ensure all non-essential persons keep a safe distance whilst the jack is in use.
- ✓ Ensure there are no passengers in the vehicle.
- ✓ It is necessary that the operator can watch the lifting device and the load during all movements.
- ✓ Place jack under only those lifting points recommended by vehicle manufacturer (see vehicle handbook).
- ✓ Check that the lifting point is stable and centred on the jack saddle.
- ✓ Ensure the jack wheels are free to move and that there are no obstructions.
- ▲ **DANGER:** Use the jack for lifting only, NOT for supporting the lifted load.
- ✓ Ensure there are no persons or obstructions beneath the vehicle before lowering.
- ✓ It is not allowed to work under the raised load until it is secured by suitable means. Use suitable axle stands under the vehicle before proceeding with any task.
- ✓ Use a qualified person to lubricate and maintain the jack.
- ✓ Ensure that only hydraulic jack oil is used in the jack.
- ✗ **DO NOT** operate the jack if damaged.
- ✗ **DO NOT** allow untrained persons to operate the jack.
- ✗ **DO NOT** operate the jack when tired or under the influence of drugs, alcohol or intoxicating medication.
- ✗ **DO NOT** exceed the rated capacity of the jack.
- ✗ **DO NOT** allow the vehicle to move during lifting or lowering, or use the jack to move the vehicle.
- ✗ **DO NOT** jack vehicle if there is a risk of spillage of fuel, battery acid, or other dangerous substances.
- ✗ **DO NOT** work under the vehicle until appropriately rated axle stands have been correctly positioned.
- ✗ **DO NOT** use the jack for purposes other than that for which it is intended.
- ✗ **DO NOT** top up hydraulic system with brake fluid. Use hydraulic jack oil only. (Sealey Part No: HJO500MLS or HJO5LS)
- ✗ **DO NOT** adjust the safety overload valve.
- ✓ When not in use store jack, fully lowered, in a safe, dry, childproof area.
- ✓ If more than 400N of effort is generated in lifting, the efforts shall be lowered by an additional person.
- ✓ Jacks shall be maintained and repaired in accordance with the manufacturer's instructions. Such maintenance and repair shall be carried out by qualified persons.
- ✓ No modifications shall be carried out which adversely affect the compliance of the jack with the standard.
- ✓ Check the state of the markings and that the markings remain as the initial one.



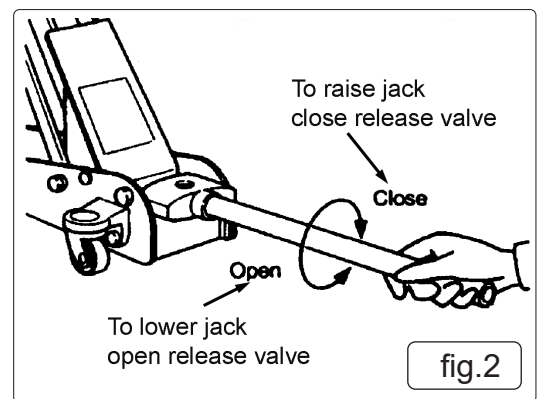
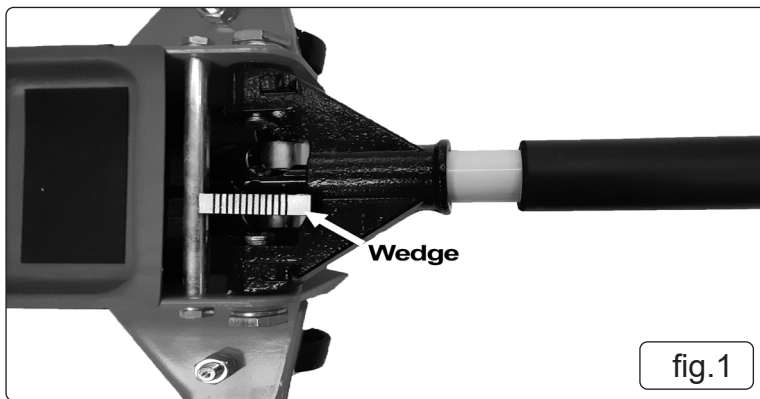
2. INTRODUCTION

Twin piston Rocket Lift feature brings saddle to maximum height in minimal strokes. Universal joint release mechanism allows safer, more controlled lowering of jack. Profiled lifting arm gives low clearance height of just 88mm making it suitable for sports and custom cars. Heavy-duty steel chassis provides stability and endurance. Fitted with an overload valve for added safety. Hydraulic oil by-pass system protects ram from being overextended.

3. SPECIFICATION

Model	2500LE.V3, 2501LE.V1
Applicable Standards:	EN 1494
Capacity	2.5 Tonne
Consumable Parts:	Jack Pad- JP17. Polyurethane wheel kit 2500LE.PW
Length	701mm
Max Chassis Height	151mm
Max Saddle Height	495mm
Min Saddle Height	88mm

4. OPERATION



❑ **WARNING!** Before use ensure you have read, understood and applied Section 1 safety precautions.

IMPORTANT: Before use, the operator is to visually inspect the jack for cracked welds, damaged or missing parts or hydraulic leaks.

4.1. RELEASING THE RETAINING WEDGE (FIG.1)

- 4.1.1. Seek assistance from a second person if required.
- 4.1.2. Insert the lower handle section into the handle socket and secure with the retaining bolt to aid in releasing pressure in the handle socket.
- 4.1.3. Push down on the handle and hold down while removing the retaining wedge that is securing the handle socket in the down position.
- 4.1.4. Remove the wedge.
- 4.1.5. Gently and in a controlled manner slowly allow the lower handle section and handle socket to raise to their upright position.

4.2. BEFORE USE

- 4.2.1. Insert the upper handle into the lower handle.
- 4.2.2. Tighten the handle retaining bolt.
- 4.2.3. Ensure the handle is secure and fully engaged with the release valve.

4.3. HYDRAULIC SYSTEM PURGING

- 4.3.1. Open the release valve by turning it one full turn counter-clockwise.
- 4.3.2. Pump the handle 20 times.
- 4.3.3. Close the release valve by turning it clockwise.

4.4. RAISING A VEHICLE

We recommend that efforts of raising the load shall be reduced by the use of assistance during this operation.

- 4.4.1. Ensure that the jack and the vehicle are on a hard, level surface.
- 4.4.2. Ensure that the vehicle handbrake is engaged and that the vehicle wheels are chocked.
- 4.4.3. Consult the vehicle manual to determine the location of jacking points.
- 4.4.4. Position the jack under a suitable lifting point.
- 4.4.5. Turn the slow release valve clockwise, to the closed position. **DO NOT** over-tighten.
- 4.4.6. Raise the vehicle to the desired height by pumping the handle up and down.
- 4.4.7. Place axle stands beneath the locations recommended by the vehicle manufacturer.
- 4.4.8. Turn the release valve slowly counter-clockwise to lower the vehicle on to the axle stands.

4.5. LOWERING A VEHICLE

- 4.5.1. Turn the release valve clockwise to the closed position.
- 4.5.2. Pump the handle to raise the vehicle off the axle stands.
- 4.5.3. Remove the axle stands from beneath the vehicle.
- 4.5.4. Turn the release valve counter-clockwise to lower the vehicle to the ground.

NOTE: This jack is fitted with a slow release mechanism for controlled descent.

When not in use, leave the saddle and ram fully retracted.

5. MAINTENANCE

IMPORTANT: Only fully qualified personnel should attempt maintenance or repair. Jacks shall be maintained and repaired in accordance with the manufacturer's instructions. Such maintenance and repair shall be carried out by qualified persons. No modifications shall be carried out which adversely affect the compliance of the jack with the standard. Check the state of the markings and that the markings remain as the initial one.

- 5.1. When the jack is not in use, the ram should be in its lowest position to minimise corrosion. Remove the handle to inactivate jack.
- 5.2. Keep the jack clean and lubricate all moving parts with oil on a regular basis.

5.3. To check the oil level, fully lower the jack. Remove filler plug (fig.3). The correct oil level should be approximately 5mm below the filler opening. If oil level is low, fill as required. Pump unloaded jack 15 to 20 times to expel air and then refit plug.

NOTE: Use a good quality jack oil, such as SEALEY HYDRAULIC JACK OIL.

❑ **WARNING: DO NOT** use brake fluid, or any fluid other than hydraulic jack fluid as this may cause serious damage to the jack and will invalidate the warranty!

5.4. Before each use check for broken, cracked, bent, or loose parts, or any visible damage to welds, ram, pump, saddle, lifting arm, frame and all parts including nuts, bolts, pins and other fasteners. If any suspect item is found remove jack from service and take necessary action to remedy the problem. **DO NOT** use the jack if believed to have been subjected to abnormal load or shock. Inspect and take appropriate action.

5.5. Every three months remove the locking rings on the caster wheels and lubricate the ball bearings with acid free grease.

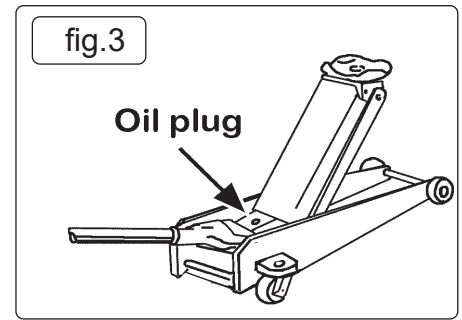
5.6. After a year of extensive use, the oil should be replaced in order to extend the life of your jack. To drain the oil, remove the filler cap and valve. Make sure that no dirt is allowed to enter the hydraulic system's oil. Dispose of oil according to local authority regulations.

5.7. Periodically check the pump piston and piston rod for signs of corrosion. Clean exposed areas with a clean oiled cloth.

IMPORTANT: NO RESPONSIBILITY IS ACCEPTED FOR INCORRECT USE OF THE JACK.

Hydraulic products are only repaired by local service agents. We have service/repair agents in all parts of the UK.

DO NOT RETURN JACKS TO US. Please telephone us on 01284 757500 to obtain the address and phone number of your local agent. If jack is under guarantee please contact your stockist.



6. TROUBLESHOOTING

Problem	Possible Cause	Remedy
Jack will not lift the load	Overloaded	Be sure to use jack with adequate capacity
	Oil level low	Top up oil level
	Release valve not correctly closed	Check and close release valve
	Air in system	Check and close release valve and air vent (if fitted) and pump the handle 15 to 20 times. Close valve and re-try.
	Piston rod not functioning	Clean and replace oil
	Packing worn or defective	Replace packing
Jack does not lift high enough or feels "spongy"	Oil level too high or too low	Fill or remove excess oil
	Worn Seals	Return jack to local service agent
	Air in system	Open release valve and air vent (if fitted) and pump the handle 15 to 20 times. Close valve and re-try
	Release valve not closed	Check and close release valve and re-try
Jack lifts poorly	Pump packing or valves malfunctioning	Replace packing and/or clean valves
	Oil is dirty	Replace oil
	Air in the system	Open release valve and air vent (if fitted) and pump the handle 15 to 20 times Close valve and re-try
Jack lifts but will not hold load	Release valve partially open	Check and close release valve
	Dirt on valve seats	Lower jack, close release valve. Place foot on front wheel and pull up lifting arm to it's full height by hand. Open the release valve to lower arm
	Air in system	Open release valve and air vent (if fitted) and pump the handle 15 to 20 times. Close valve and re-try
	Faulty Seals	Replace packing or contact local service agent
	Packing worn or defective	Replace packing
Jack will not lower completely	Unit requires lubrication	Oil all external moving parts
	Piston rod bent or damaged	Replace rod or contact local service agent
	Jack frame/link system distorted due to overloading/poor positioning	Replace damaged parts or contact service agent
	Air in system	Open release valve and air vent (If fitted) and pump the handle 15 to 20 times. Close valve and re-try
	Release valve partially open	Check and fully open release valve
	Jack spring damaged	Replace spring or contact service agent

Jack does not lower at all

Release valve still closed

Check and fully open release valve



ENVIRONMENT PROTECTION

Recycle unwanted materials instead of disposing of them as waste. All tools, accessories and packaging should be sorted, taken to a recycling centre and disposed of in a manner which is compatible with the environment. When the product becomes completely unserviceable and requires disposal, drain any fluids (if applicable) into approved containers and dispose of the product and fluids according to local regulations.



REGISTER YOUR
PURCHASE HERE

Note: It is our policy to continually improve products and as such we reserve the right to alter data, specifications and component parts without prior notice. Please note that other versions of this product are available. If you require documentation for alternative versions, please email or call our technical team on technical@sealey.co.uk or 01284 757505.

Important: No Liability is accepted for incorrect use of this product.

Warranty: Guarantee is 36 months from purchase date, proof of which is required for any claim.

Sealey Group, Kempson Way, Suffolk Business Park, Bury St Edmunds, Suffolk. IP32 7AR



01284 757500



sales@sealey.co.uk



www.sealey.co.uk