



2.25 TONNE TROLLEY JACK CAR JACK LOW PROFILE WITH ROCKET LIFT

MODEL NO: **2001LEHV.V3 SERIES**

Thank you for purchasing a Sealey product. Manufactured to a high standard, this product will, if used according to these instructions, and properly maintained, give you years of trouble free performance.

IMPORTANT: PLEASE READ THESE INSTRUCTIONS CAREFULLY. NOTE THE SAFE OPERATIONAL REQUIREMENTS, WARNINGS & CAUTIONS. USE THE PRODUCT CORRECTLY AND WITH CARE FOR THE PURPOSE FOR WHICH IT IS INTENDED. FAILURE TO DO SO MAY CAUSE DAMAGE AND/OR PERSONAL INJURY AND WILL INVALIDATE THE WARRANTY. KEEP THESE INSTRUCTIONS SAFE FOR FUTURE USE.



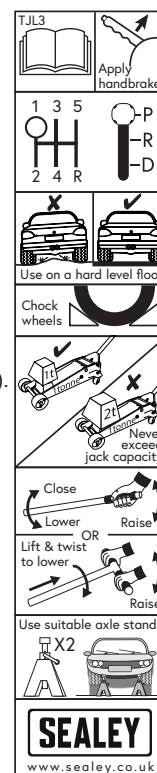
Refer to
instructions



Wear safety
footwear

1. SAFETY

- ❑ **WARNING!** Please note that the handle socket of this jack is retained under tension and must be released before use. Caution should be taken when releasing, as the handle socket will suddenly raise to its upright position if not controlled.
- ✓ The user shall work only in accordance with this instruction manual.
- ✓ The operator shall be provided with all necessary information about training and about pumping and translating forces.
- ✓ Ensure the jack is in sound condition and good working order. Take action for immediate repair or replacement of damaged parts. Use genuine parts only. **DO NOT** modify the jack. The use of non-genuine parts may be dangerous and will invalidate the warranty.
- ✓ Locate the jack in a suitable, well lit working area.
- ✓ Keep working area clean and tidy and free from unrelated materials. Use jack on level and solid ground, preferably concrete. Avoid tarmac/adam as jack may sink in.
- ✓ Chock wheels of vehicle.
- ✓ Ensure the vehicle handbrake is engaged, engine is switched off and transmission is in gear (or "PARK" if automatic).
- ✓ Ensure minimum distance of 0.5m between vehicle and static objects such as doors, walls, etc. to allow for vehicle tilting.
- ✓ Ensure all non-essential persons keep a safe distance whilst the jack is in use.
- ✓ Ensure there are no passengers in the vehicle.
- ✓ It is necessary that the operator can watch the lifting device and the load during all movements.
- ✓ Place jack under only those lifting points recommended by vehicle manufacturer (see vehicle handbook).
- ✓ Check that the lifting point is stable and centred on the jack saddle.
- ✓ Ensure the jack wheels are free to move and that there are no obstructions.
- ▲ **DANGER:** Use the jack for lifting only, NOT for supporting the lifted load.
- ✓ Ensure there are no persons or obstructions beneath the vehicle before lowering.
- ✓ It is not allowed to work under the raised load until it is secured by suitable means. Use suitable axle stands under the vehicle before proceeding with any task.
- ✓ Use a qualified person to lubricate and maintain the jack.
- ✓ Ensure that only hydraulic jack oil is used in the jack.
- ✗ **DO NOT** operate the jack if damaged.
- ✗ **DO NOT** allow untrained persons to operate the jack.
- ✗ **DO NOT** operate the jack when tired or under the influence of drugs, alcohol or intoxicating medication.
- ✗ **DO NOT** exceed the rated capacity of the jack.
- ✗ **DO NOT** allow the vehicle to move during lifting or lowering, or use the jack to move the vehicle.
- ✗ **DO NOT** jack vehicle if there is a risk of spillage of fuel, battery acid, or other dangerous substances.
- ✗ **DO NOT** work under the vehicle until appropriately rated axle stands have been correctly positioned.
- ✗ **DO NOT** use the jack for purposes other than that for which it is intended.
- ✗ **DO NOT** top up hydraulic system with brake fluid. Use hydraulic jack oil only. (Sealey Part No: HJO500MLS or HJO5LS)
- ✗ **DO NOT** adjust the safety overload valve.
- ✓ When not in use store jack, fully lowered, in a safe, dry, childproof area.
- ✓ If more than 400N of effort is generated in lifting, the efforts shall be lowered by an additional person.
- ✓ Jacks shall be maintained and repaired in accordance with the manufacturer's instructions. Such maintenance and repair shall be carried out by qualified persons.
- ✓ No modifications shall be carried out which adversely affect the compliance of the jack with the standard.
- ✓ Check the state of the markings and that the markings remain as the initial one.



2. INTRODUCTION

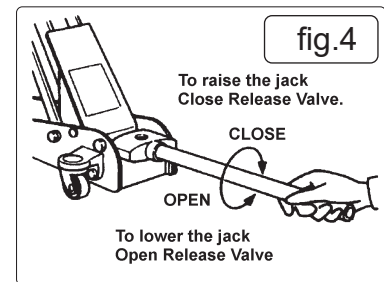
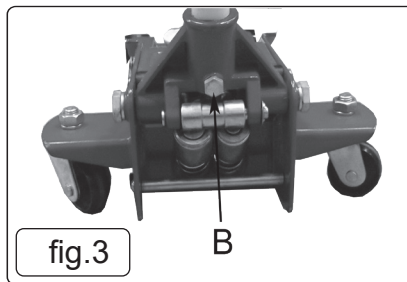
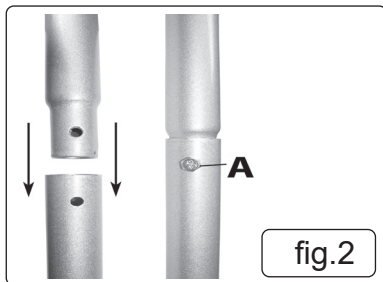
Twin piston Rocket Lift feature brings saddle to maximum height in minimal strokes. Universal joint release mechanism allows safer, more controlled lowering of jack. Profiled lifting arm gives low clearance height of just 73mm making it suitable for sports and custom cars. Heavy-duty steel chassis provides stability and endurance. Fitted with an overload valve for added safety. Hydraulic oil bypass system protects ram from being overextended.

3. SPECIFICATION

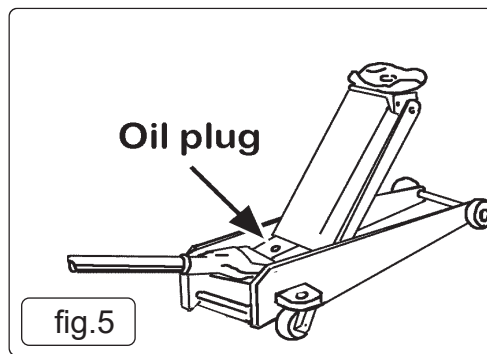
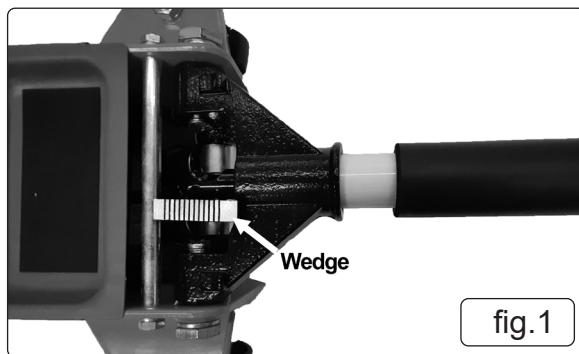
| | |
|------------------------|--|
| Model No: | 2001LEHV.V3, LERE.V3, LEBL.V3, LEOR.V2 |
| Applicable Standards | EN 1494 |
| Capacity: | 2.25 tonne |
| Consumable Parts: | Replacement Rubber Jack Pad - JP30 |
| Length: | 734mm |
| Max Chassis Height | 151mm |
| Maximum Saddle Height: | 495mm |
| Minimum Saddle Height: | 73m |

4. ASSEMBLY

- 7.1. The jack comprises the following parts Steel chassis. Two-part pumping handle (fig.2) with M6x35 bolt (fig.3).
- 7.1.1. Insert the upper handle into the lower handle. See fig. 2.
- 7.1.2. **WARNING:** Before inserting the pump handle into the handle socket see operating instructions in 5. Operation section.



5. OPERATION



- ❑ **WARNING!** Before use ensure you have read, understood and applied Section 1 safety precautions.
- IMPORTANT:** Before use, the operator is to visually inspect the jack for cracked welds, damaged or missing parts or hydraulic leaks.
- 5.1. RELEASING THE RETAINING WEDGE (FIG.1)**
- 5.1.1. Seek assistance from a second person if required.
- 5.1.2. Insert the lower handle section into the handle socket and secure with the retaining bolt 'B' to aid in releasing pressure in the handle socket.
- 5.1.3. Push down on the handle and hold down while removing the retaining wedge that is securing the handle socket in the down position. See fig.1.
- 5.1.4. Remove the wedge.
- 5.1.5. Gently and in a controlled manner slowly allow the lower handle section and handle socket to raise to their upright position.
- 5.2. HYDRAULIC SYSTEM PURGING**
- 5.2.1. Open the release valve by turning it one full turn counter-clockwise. See fig. 4.
- 5.2.2. Pump the handle 20 times.
- 5.2.3. Close the release valve by turning it clockwise. See fig.4.
- 5.3. RAISING A VEHICLE**
- We recommend that efforts of raising the load shall be reduced by the use of assistance during this operation.
- 5.3.1. Ensure that the jack and the vehicle are on a hard, level surface.
- 5.3.2. Ensure that the vehicle handbrake is engaged and that the vehicle wheels are chocked.
- 5.3.3. Consult the vehicle manual to determine the location of jacking points.
- 5.3.4. Position the jack under a suitable lifting point.
- 5.3.5. Turn the slow release valve clockwise, to the closed position. **DO NOT** over-tighten.
- 5.3.6. Raise the vehicle to the desired height by pumping the handle up and down.
- 5.3.7. Place axle stands beneath the locations recommended by the vehicle manufacturer.
- 5.3.8. Turn the release valve slowly counter-clockwise to lower the vehicle on to the axle stands.
- 5.4. LOWERING A VEHICLE**
- 5.4.1. Turn the release valve clockwise to the closed position.

- 5.4.2. Pump the handle to raise the vehicle off the axle stands.
- 5.4.3. Remove the axle stands from beneath the vehicle.
- 5.4.4. Turn the release valve counter-clockwise to lower the vehicle to the ground.
NOTE: This jack is fitted with a slow release mechanism for controlled descent. When not in use, leave the saddle and ram fully retracted.

6. MAINTENANCE

IMPORTANT: Only fully qualified personnel should attempt maintenance or repair. Jacks shall be maintained and repaired in accordance with the manufacture's instructions. Such maintenance and repair shall be carried out by qualified persons. No modifications shall be carried out which adversely affect the compliance of the jack with the standard. Check the state of the markings and that the markings remain as the initial one.

- 6.4.1. Check the condition of the markings. These must be maintained in their original condition.

6.1. MONTHLY MAINTENANCE

Lubrication is critical to jacks, since they support heavy loads. Any restriction due to dirt or rust can cause either slow jack movement, or extremely rapid jerks, causing damage to the internal components. To keep the jack well lubricated, carry out the following steps.

- 6.1.1. Lubricate the ram, the linkages and the saddle and pump mechanism with light oil.
- 6.1.2. Grease the wheel bearings and axles.
- 6.1.3. Keep all jack surfaces and warning labels clean.
- 6.1.4. Check and maintain the ram oil level (Section 6.3).

6.2. THREE MONTHLY MAINTENANCE

- 6.2.1. At three monthly intervals, check the ram for any signs of rust or corrosion. Clean the ram as required and wipe with an oil cloth.

6.3. CHECKING THE OIL LEVEL

- 6.3.1. Fully retract the ram by turning the release valve counter-clockwise.
- 6.3.2. Undo the four top plate retaining screws and remove the top plate.
- 6.3.3. With the jack in the level position, remove the oil filler plugs.
- 6.3.4. The oil should be level with the bottom of the oil filler hole. If it is not, top up with clean hydraulic jack oil (Sealey Part No: HJO500MLS or HJO5LS).
- 6.3.5. Replace the oil filler plug and check the jack operation.
- 6.3.6. Purge any air from the hydraulic unit as required. Refer to Section 5.2.
- 6.3.7. Replace the top plate and secure with the four screws.

- 6.3.8. **NOTE:** Always store the jack in the fully lowered position. This will protect critical areas from excessive corrosion.

IMPORTANT: NO RESPONSIBILITY IS ACCEPTED FOR INCORRECT USE OF THE product.

- 6.3.9. Owing to their size and weight, hydraulic products should ideally be repaired by local service agents. We have service / repair agents in most parts of the UK. Before returning your product please call our technical helpline on 01284 757505 for advice and trouble shooting guidance. If the jack is under guarantee please contact your stockist.

6.4. DE-COMMISSIONING THE JACK

- 6.4.1. Should the jack become completely unserviceable and require disposal, draw off the oil into an approved container and dispose of the jack and the oil according to local regulations.

7. TROUBLESHOOTING

| PROBLEM | CAUSE | REMEDY |
|-----------------------------------|---|---|
| Jack will not lift to full height | Oil Level Low | Check/Top up oil level |
| Jack will not hold the load | Release valve not closing | Contact authorised service agent |
| | Hydraulic jack oil is contaminated | |
| | Pump valves not sealing | |
| Lift arm will not lower | Cylinder ram binding | Contact authorised service agent |
| | Parts worn | |
| | Internal component damage | |
| | Broken or unhooked return spring | |
| | Lift arm linkage either bent or binding | |
| Jack feels spongy when lifting | System requires purging | Refer to air purge procedure in section 5 |



ENVIRONMENT PROTECTION

Recycle unwanted materials instead of disposing of them as waste. All tools, accessories and packaging should be sorted, taken to a recycling centre and disposed of in a manner which is compatible with the environment. When the product becomes completely unserviceable and requires disposal, drain any fluids (if applicable) into approved containers and dispose of the product and fluids according to local regulations.



REGISTER YOUR
PURCHASE HERE

Note: It is our policy to continually improve products and as such we reserve the right to alter data, specifications and component parts without prior notice. Please note that other versions of this product are available. If you require documentation for alternative versions, please email or call our technical team on technical@sealey.co.uk or 01284 757505.

Important: No Liability is accepted for incorrect use of this product.

Warranty: Guarantee is 12 months from purchase date, proof of which is required for any claim.

Sealey Group, Kempson Way, Suffolk Business Park, Bury St Edmunds, Suffolk. IP32 7AR



01284 757500



sales@sealey.co.uk



www.sealey.co.uk