



INSTRUCTIONS FOR:

# FLOOR TRANSMISSION JACK

Model No's: **1000E & 1500E**

Thank you for purchasing a Sealey product. Manufactured to a high standard this product will, if used according to these instructions and properly maintained, give you years of trouble free performance.

**IMPORTANT!** ENSURE YOU READ AND UNDERSTAND THESE INSTRUCTIONS FULLY BEFORE ATTEMPTING TO USE THE JACK. NOTE THE SAFE OPERATIONAL REQUIREMENTS, DANGERS, WARNINGS & CAUTIONS. USE THE JACK CORRECTLY AND WITH CARE FOR THE PURPOSE FOR WHICH IT IS INTENDED. **WARNING!** FAILURE TO APPLY THESE INSTRUCTIONS MAY CAUSE *DAMAGE, SERIOUS PERSONAL OR FATAL INJURY*. FAILING TO FOLLOW INSTRUCTIONS WILL ALSO INVALIDATE YOUR WARRANTY. KEEP THESE INSTRUCTIONS SAFE FOR FUTURE USE.

**NOTE:** The use of symbols in this document is to attract your attention to possible danger. The symbols and warnings themselves do not eliminate any danger, nor are they substitutes for proper accident prevention measures.

## 1. SAFETY INSTRUCTIONS

- p **WARNING!** Ensure all preliminary checks are carefully carried out before use of jack. Immediately repair or replace damaged parts (use authorised service agent). Ensure use of *genuine parts only*. *Non authorised parts may be dangerous and will invalidate the warranty.*
- p **WARNING!** Use jack on level and solid ground, preferably concrete. Ensure the floor over which the jack will be transported is swept clean.
- s **DANGER! DO NOT use on tarmacadam, or any other soft surface as jack may sink or topple. Serious personal or fatal injury may result.**
- 3 Use jack in an adequate working area for its function, keep area clean, tidy and free from unrelated materials. Ensure there is adequate lighting.
- 3 Before use ensure the gearbox weight and size does not exceed the capacity of the jack.
- 3 Ensure the vehicle is raised and stabilised at the correct height before attempting to move the jack under the vehicle.
- 3 Keep all unauthorised persons away from the jack during lifting and lowering and when in transit.
- 3 Maintain correct balance and footing. Ensure the floor is not slippery and wear non-slip shoes.
- 3 Remove ill fitting clothing. Remove ties, watches, rings, and other loose jewellery, and contain and/or tie back long hair.
- p **WARNING!** Ensure load is placed level and centrally on jack saddle and load is fixed in place before attempting to lift, lower, or transport.
- 3 The lowering speed will vary according to the weight of the load and the release valve setting.
- 3 Ensure the jack saddle is fully lowered and is clean, dry, and oil free before attempting to transport the jack with or without a load.
- 3 Fix load with support chain provided, do not substitute an inferior form of restraint for the support chain.
- 3 Diligence is required in ensuring that you continually monitor the operation until completed.
- 3 Should the jack omit any abnormal sounds during use STOP immediately and contact your local service agent.
- s **DANGER! If jack tips or leans STOP WHAT YOU ARE DOING. MOVE QUICKLY TO A SAFE DISTANCE. DO NOT TRY TO HOLD OR STEADY JACK. Serious personal or fatal injury may result.**
- p **WARNING!** DO NOT operate jack if any parts are damaged or missing .
- 7 DO NOT exceed the rated capacity of the jack.
- 7 DO NOT allow untrained persons to operate the jack.
- 7 DO NOT place any part of your body within or under the jack during use.
- 7 DO NOT raise or lower vehicle lifting platform whilst the transmission jack is being used.
- 7 DO NOT transport the jack, with or without a load, with the saddle in the raised position.
- 7 DO NOT get jack wet or use in damp or wet locations or areas where there is condensation.
- 7 DO NOT operate the jack when you are tired, under the influence of alcohol, drugs or intoxicating medication.
- 7 DO NOT lift or support vehicles with jack and do not use jack as a load sustaining device.
- 7 DO NOT use jack for any purpose other than removal, transportation and installation of transmissions.
- 7 DO NOT use jack without support chain or substitute an inferior form of restraint for the chain.
- 7 DO NOT make any modifications to the jack, and DO NOT adjust or tamper with safety valve.
- 7 DO NOT remove any labels from the jack. If labels are damaged or unclear replace them.
- 3 Use a qualified person to lubricate and maintain the jack. DO NOT use brake fluid to top up hydraulic unit. Use Sealey hydraulic oil only.
- 3 Before storing in safe area, ensure all parts are clean, free of grease and oil (especially saddle). Lower saddle to the lowest position.

## 2. INTRODUCTION & SPECIFICATIONS

Your transmission jack has been manufactured to a high specification and is equipped with a precision valve and saddle pitch and tilt controls which allow delicate adjustment when lowering a gearbox from a vehicle body.

**SPECIFICATIONS:**

**Model: 1000E**

Rated capacity . . . . .	1000kg
Saddle base height (min.) . . . . .	256mm
Saddle base height (maximum) . . . . .	843mm
Saddle forward tilt. . . . .	30°
Saddle backward . . . . .	15°
Base length/height/width . . . . .	1040x379x450mm
Saddle lateral travel . . . . .	40mm

**Model: 1500E**

Rated capacity . . . . .	1500kg
Saddle base height (min.) . . . . .	165mm
Saddle base height (maximum) . . . . .	870mm
Saddle forward tilt. . . . .	30°
Saddle backward . . . . .	15°
Base length/height/width . . . . .	1130x290x650mm
Saddle lateral travel . . . . .	40mm

### 3. PRE-USE CHECK LIST

3.1 **IMPORTANT:** Before *EACH* use, check jack is in sound working order, use following list to form a habitual pre-check procedure. Check items are not: *damaged, broken, cracked, bent, malfunctioning, distorted, worn, loose, damage to welds, leaking, dirty, noisy or missing.*

- |                           |                                    |                                |
|---------------------------|------------------------------------|--------------------------------|
| 1... Saddle attachments   | 6... Cylinder/Hydraulic unit       | 10... Jack main frame          |
| 2... Saddle base          | 7... Stopper rings and cotter pins | 11... Pump handle              |
| 3... Saddle tilt controls | 8... All nuts and bolts            | 12... Swivel caster wheels     |
| 4... Tilt mechanism       | 9... All seals                     | 13... Ring chain, hooks & pins |
| 5... Piston rod           |                                    |                                |

p **WARNING! DO NOT use jack if any suspect part is found, or if believed to have been subjected to abnormal load or shock. Immediately remove from service and contact your authorised service agent.**

3.2. **IMPORTANT:** Before using the jack for the first time, purge the hydraulic circuit in order to eliminate any air, that may have accumulated in the system during transit, as follows:

1. Open the release valve by turning knob anti-clockwise.
2. Pump the jack handle up and down 15 to 20 times.
3. Turn the release valve clockwise to close the valve.

### 4. OPERATING INSTRUCTIONS

#### 4.1. SADDLE TILT MECHANISM.

Adjusting the pitch and tilt of saddle will assist you to safely support and transport the gearbox. The saddle (fig.1 C) may be tilted forward 30°, backward 15° by turning handle (A) and moved to the left or right by turning handle (B).

**NOTE:** If the tilt or the travel controls do not turn easily, insert ratchet wrench into hole in control handle and rotate accordingly (fig.1.D).

p **WARNING! Before use ensure you have read, understood and apply Section 1 safety instructions.**  
p **WARNING! Ensure you prepare vehicle correctly before attempting to use the Transmission Jack.**

#### 4.2. POSITIONING JACK BENEATH LOAD.

Before use ensure the transmission weight and size does not exceed the capacity of the jack.

- 4.2.1. Ensure the vehicle from which the gearbox is to be removed is correctly positioned, raised and locked on appropriate lift system.
- 4.2.2. Ensure there are no other persons around or under the vehicle.
- 4.2.3. Ensure saddle is in lowest position and use handle to transport and centrally position jack beneath vehicles transmission.
- 4.2.4. Close the jack release valve by turning knob clockwise.
- 4.2.5. Pump the jack handle up and down and the saddle will rise.
- 4.2.6. When the saddle is just beneath the transmission, re-adjust alignment if necessary to centralise the saddle.
- 4.2.7. Turn tilt handles (fig.1. A & B) for final positioning of the saddle.
- 4.2.8. Position the saddle attachments correctly for further security.
- 4.2.9. Tighten all saddle attachment nuts and bolts to secure the load whilst being lowered.

#### 4.3. LOWERING THE LOAD.

p **WARNING! Ensure the load is central and stable on the jack saddle before attempting to lower the load. SLOWLY** turn the release valve knob anti-clockwise to *GENTLY* lower the saddle to the lowest minimum height before attempting to transport the load.  
Q **IMPORTANT:** Speed of lowering is controlled by release valve. The quicker the valve knob is turned the more rapid the jack's descent. Ensure the jack's descent is slow and controlled to avoid the risk of sudden dropping which would be very dangerous.

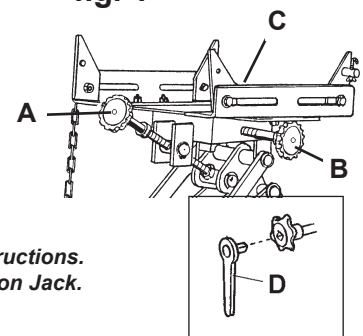
#### 4.4. TRANSPORTING THE LOAD.

p **WARNING! Ensure you have read, understood and apply Section 1 safety instructions.**  
4.4.1. Ensure the jack saddle is fully lowered, then secure the load by placing the support chain over the transmission, pull taut and engage into slot on opposite side of the saddle attachments. Tighten nuts.  
4.4.2. Transport the load over level and solid ground, preferably concrete, and ensure the floor is swept clean.  
4.4.3. Be diligent in continually monitoring the load in transit. Keep all other persons at a safe distance.  
s **DANGER! DO NOT use on tarmacadam, or any soft surface as jack may sink or topple. Serious personal or fatal injury may result.**  
s **DANGER! If jack tips or leans STOP WHAT YOUR ARE DOING. MOVE QUICKLY TO A SAFE DISTANCE. DO NOT TRY TO HOLD OR STEADY JACK. Serious personal or fatal injury may result.**

#### 4.5. RE-INSTALLING A GEARBOX.

To transport, reposition beneath a vehicle, and raise a load up, reverse the procedures outlined above.

fig. 1



## 5. MAINTENANCE

**IMPORTANT: Only fully qualified personnel should attempt maintenance or repair.**

- 5.1. When the jack is not in use, the saddle must be in the lowest position to minimise ram and piston corrosion. Turn the handle back to its storage position for safety.
- 5.2. Keep the jack clean and wipe off any oil or grease. Lubricate all moving parts with acid free oil, and grease tilt mechanism regularly.
- 5.3. The oil tank is a sealed unit and must not be accessed. For service, contact your authorised dealer.
- 5.4. **WARNING! Only a good quality Jack oil, such as SEALEY HYDRAULIC JACK OIL must be used, DO NOT use brake fluid.** Before each use check list to ensure components are not damaged, broken, cracked, bent, malfunctioning, distorted, worn, loose, any visible damage to welds, leaking, dirty, noisy or missing (see Section 3.1). If any suspect item is found remove jack from service and take necessary action to remedy the problem.  
DO NOT use the jack if believed to have been subjected to abnormal load or shock. Inspect and take appropriate action.
- 5.5. Periodically check the pump piston and piston rod for signs of corrosion. Clean exposed areas with a clean oiled cloth.

**IMPORTANT: NO RESPONSIBILITY IS ACCEPTED FOR INCORRECT USE OF THE MACHINE.**

Hydraulic products are only repaired by local service agents. We have service/repair agents in all parts of the UK. **DO NOT RETURN JACKS TO US.** Please telephone 01284 757500 to obtain address and 'phone number of your local agent. If Jack is under guarantee please contact your dealer.

**De-commissioning the jack:** Should the jack become completely unserviceable and require disposal, draw off the oil into an approved container and dispose of the jack and the oil according to local regulations.

## 6. TROUBLESHOOTING

**IMPORTANT!** Although the following may identify a problem, in most cases the problem must be resolved by your authorised service agent.

PROBLEM	CAUSE	SOLUTION
Jack will not lift	No hydraulic oil or defective suction valve or delivery valve Release valve is open	Contact authorised service agent. Close release valve.
Jack will only lift halfway	Hydraulic oil low or excess of hydraulic oil	Contact authorised service agent.
Raised load will not hold	Defective valves or defective piston packing	Contact authorised service agent.
Poor lifting	Defective plunger packing	Contact authorised service agent.
Saddle tilt knob too tight	Bolts and nuts may be bent or rusted.	Check, clean, oil or replace items.

**NOTE:** It is our policy to continually improve products and as such we reserve the right to alter data, specifications and component parts without prior notice.

**IMPORTANT:** No liability is accepted for incorrect use of this product.

**WARRANTY:** Guarantee is 12 months from purchase date, proof of which will be required for any claim.

**INFORMATION:** For a copy of our latest catalogue and promotions call us on 01284 757525 and leave your full name and address, including postcode.



Sole UK Distributor, Sealey Group,  
Kempson Way, Suffolk Business Park,  
Bury St. Edmunds, Suffolk,  
IP32 7AR



01284 757500



www.sealey.co.uk



01284 703534



sales@sealey.co.uk