



INSTRUCTIONS FOR : TROLLEY JACK

MODEL NO : 10Q

Thank you for purchasing a Sealey product. Manufactured to a high standard this product will, if used according to these instructions and properly maintained, give you years of trouble free performance.



IMPORTANT: READ THESE INSTRUCTIONS CAREFULLY. NOTE THE SAFE OPERATIONAL REQUIREMENTS, WARNINGS AND CAUTIONS. USE THIS JACK CORRECTLY AND WITH CARE FOR THE PURPOSE FOR WHICH IT IS INTENDED. FAILURE TO DO SO MAY CAUSE DAMAGE AND/OR PERSONAL INJURY AND WILL INVALIDATE THE WARRANTY. RETAIN THESE INSTRUCTIONS FOR FUTURE USE.

1. SAFETY PRECAUTIONS

- ✓ Ensure the jack is in sound condition and good working order. Take action for immediate repair or replacement of damaged parts. *Use genuine parts only. The use of unauthorised parts may be dangerous and will invalidate the warranty.*
 - ✓ Locate the jack in a suitable, well lit work area.
 - ✓ Keep work area clean and tidy and free from unrelated materials.
 - ✓ Use jack on level and solid ground, preferably concrete. *Avoid tarmac as jack may sink in.*
 - ✓ Place wedges under wheels of vehicle (*but ensure wheels of jack can move freely*).
 - ✓ Ensure the vehicle handbrake is engaged, engine is switched off and transmission is in 1st or reverse gear ("PARK" if automatic).
 - ✓ Ensure minimum distance of 0.5m between vehicle and static objects such as doors, walls, etc., to allow for vehicle tilting.
 - ✓ Ensure there are no passengers in the vehicle.
 - ✓ Ensure all non-essential persons keep a safe distance whilst the jack is in use.
 - ✓ Only place jack under those lifting points recommended by vehicle manufacturer (*see vehicle handbook*).
 - ✓ Check the lifting point is stable and centred on the jack saddle.
 - ✓ Ensure the jack wheels are free to move and that there are no obstructions.
 - ☐ **DANGER:** *Use the jack for lifting only, NOT for supporting the lifted load.*
 - ✓ Use suitable capacity axle stands under the vehicle before proceeding with any task.
 - ✓ Ensure there are no persons or obstructions beneath the vehicle before lowering.
 - ✓ Use a qualified person to maintain or repair the jack hydraulic system.
 - ✗ **DO NOT** operate the jack if damaged.
 - ✗ **DO NOT** allow untrained persons to operate the jack.
 - ✗ **DO NOT** exceed the rated capacity of the jack.
 - ✗ **DO NOT** allow the vehicle to move while supported by the jack, nor use the jack to move the vehicle.
 - ✗ **DO NOT** jack vehicle if there is a risk of spillage of fuel, battery acid, or other dangerous substance.
 - ✗ **DO NOT** work under the vehicle until axle stands have been correctly positioned.
 - ✗ **DO NOT** use the jack for purposes other than that for which it is designed.
 - ✗ **DO NOT** top up hydraulic system with brake fluid. Use hydraulic jack oil only.
 - ✗ **DO NOT** adjust the safety overload valve.
 - ✓ When not in use store jack, fully lowered, in a safe, dry, childproof area.
 - ☐ **WARNING!** *It is very dangerous to go under a vehicle which is supported by a jack even if additional supports are used. DO NOT go under a vehicle unless it is supported by adequately rated axle stands.*
- ▲ **IMPORTANT!** Ensure you can see the saddle and jacking point throughout the jacking operation in case there is any relative movement.

2. SPECIFICATIONS

Capacity	10000kg
Min. Saddle Height	195mm
Max. Saddle Height	650mm
Max. Chassis Height	280mm
Length	1550mm
Weight	145kg

3. ASSEMBLY & PURGING

- Note: Numbers in brackets refer to item numbers shown in the Parts List.**
- 3.1. Place the pumping handle (7) in the tipping gear (6) and screw the locking screw (18) completely into the locking slot in the handle. **(IT IS VERY IMPORTANT YOU CHECK THAT THE SCREW IS ENGAGED INTO THE SLOT.)**
 - 3.2. Oil the mechanical parts before first use - and regularly thereafter.
 - 3.3. Before using for the first time open the release valve and pump the handle for 30-40 seconds. Close the release valve. This will purge any air in the hydraulic system. Jack is now ready for use.

4. OPERATING INSTRUCTIONS

- 4.1. **General jacking**
 - ☐ **WARNING!** *Before lifting, ensure Section 1 safety instructions are strictly followed.*
 - 4.1.1. Prepare vehicle as described in safety instructions ensuring the ground on which jack is to stand is level and solid (not tarmac).
 - 4.1.2. Position the jack saddle under the vehicle manufacturer's recommended lifting point (*see vehicle handbook*).
 - 4.2. **Jacking the vehicle**
 - 4.2.1. Lift and lower the pumping handle or the quick-lift pedal over its entire arc of operation until the saddle reaches the lifting point. Then pump the handle to raise the vehicle.
- Note:** If the jack becomes overloaded, the safety valve will operate and prevent the jack from lifting further.
- 4.3. **Lowering the vehicle**
 - 4.3.1. Pull the handle and turn it clockwise.
 - ☐ **SAFETY WARNING!** *Always lower in a slow and controlled manner and ensure that there are no persons or obstacles beneath the vehicle, or in the path of descent.*

5. OPTIONAL EQUIPMENT

Optional rubber positioning wheels, which bolt to the side of the jack, greatly assist when moving the unladen jack around. When jacking, the rubber wheels compress and the load goes through the main wheels, as normal. These wheels, model number 100/G1, are available through your local Sealey dealer.

6. MAINTENANCE

Lifting Operations and Lifting Equipment Regulations (LOLER) 1998.

This jack, depending on use, may fall within the scope of LOLER. It is the owner's responsibility to determine whether or not it does and, if so, to comply with any applicable requirements, in LOLER, for having the jack thoroughly examined.

IMPORTANT: Only fully qualified personnel should attempt maintenance or repair.

- 6.1. When the jack is not in use, the ram should be in the lowest position to minimise corrosion. Remove the handle to inactivate the jack.
- 6.2. Keep the jack clean and lubricate all moving parts with oil on a regular basis.
- 6.3. The pump and cylinder form a closed hydraulic system and refilling with oil is only necessary in exceptional cases. To check oil level:
 - 1) Place jack on a level surface with the saddle fully lowered.
 - 2) Remove filler screw (52) and check that level is 20mm below top of filler hole. Add hydraulic oil if necessary.

NOTE: Use a good quality jack oil, such as SEALEY HYDRAULIC JACK OIL.

- WARNING: DO NOT use brake fluid, or any fluid other than hydraulic jack oil as this will cause serious damage to the jack and will invalidate the warranty!**
- 6.4. Before each use check for broken, cracked, bent, or loose parts, or any visible damage to ram, pump, saddle, lifting arm, frame and all parts including nuts, bolts, pins and other fasteners. If any suspect item is found, remove jack from service and take the necessary action to remedy the problem.
DO NOT use the jack if it is believed to have been subjected to abnormal or shock loading. Inspect and take appropriate action.
 - 6.5. Periodically check the pump piston and the ram for signs of corrosion. Clean exposed areas with a clean cloth and jack oil.

IMPORTANT: NO RESPONSIBILITY IS ACCEPTED FOR INCORRECT USE OF THIS PRODUCT.

Hydraulic products are repaired by local service agents only. We have service/repair agents in all parts of the UK.

DO NOT RETURN JACKS TO US. Please telephone us on 01284 757500 to obtain the address and telephone number of your local agent. If jack is under guarantee you can also contact your local dealer.


De-commissioning

Should the jack become completely unserviceable, draw off the oil into an approved container and dispose of the jack and the oil according to local regulations.

7. TROUBLESHOOTING

PROBLEM	POSSIBLE CAUSE	REMEDY
Jack will not lift the load properly or will not hold raised load.	<ol style="list-style-type: none"> 1) Overloaded 2) Release valve not closed 3) Air in system 4) Low oil level 5) Internal defect 	<ol style="list-style-type: none"> 1) Be sure to use jack with adequate capacity. 2) Check and close release valve. 3) Open release valve and pump the handle a few times. Close valve and re-try. 4) Check level and replenish if necessary. Use only hydraulic jack oil. 5) Contact Service Agent.
Jack will not lower	<ol style="list-style-type: none"> 1) Unit requires lubrication 2) Piston rod bent or damaged 3) Jack frame/link system distorted due to overloading/poor positioning 4) Air in system 5) Release valve partially closed 6) Release valve blocked 	<ol style="list-style-type: none"> 1) Oil all external moving parts. 2) Contact local Service Agent. 3) Replace damaged parts or contact Service Agent. 4) Open release valve and pump the handle a few times. Close valve and re-try. 5) Check and fully open release valve. 6) Clean release valve.

8. DECLARATION OF CONFORMITY




<p>Declaration of Conformity We, the sole importer into the UK, declare that the product listed below is in conformity with the following standards and directives.</p>	
<p style="text-align: center;">Trolley Jack Models : 10Q 98/37/EC Machinery Directive 93/68/EEC CE Marking Directive</p>	<p style="text-align: center;">CE</p> <p>The construction files for this product is held by the Manufacturer and may be inspected, by a national authority, upon request to Jack Sealey Ltd.</p> <p>Signed by Mark Sweetman  12th November 2001</p> <p style="text-align: center;"><i>For Jack Sealey Ltd. Sole importer into the UK of Sealey Quality Machinery.</i></p>

NOTE: It is our policy to continually improve products and as such we reserve the right to alter data, specifications and component parts without prior notice.

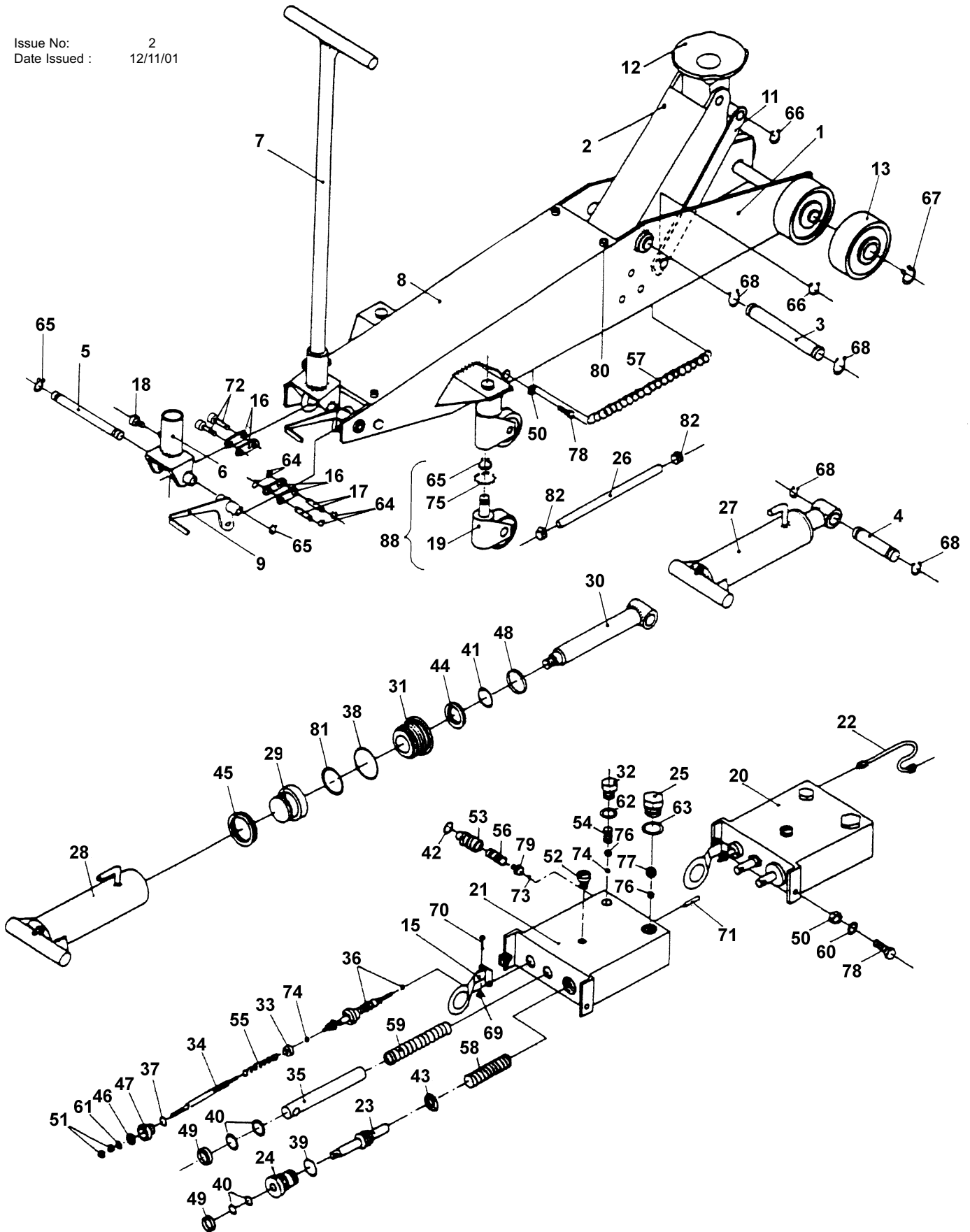
IMPORTANT: No liability is accepted for incorrect use of this product.

WARRANTY: Guarantee is 12 months from purchase date, proof of which will be required for any claim.

INFORMATION: For a copy of our latest catalogue and promotions call us on 01284 757525 and leave your full name and address, including postcode.

	<p>Sole U.K. Distributor, Sealey Group, Bury St. Edmunds, Suffolk.</p>	 01284 757500	 01284 703534	<p>E-mail: sales@sealey.co.uk</p>
---	--	--	--	--

Issue No: 2
Date Issued: 12/11/01



Item	Part No.	Description
1	100/3700100	Base Frame
2	100/3700200	Lifting Arm
3	100/3700300	Axle, Base/Frame Lifting Arm
4	100/3700400	Axle, Cylinder/Lifting Arm
5	100/3700500	Axle, Tipping Gear
6	100/3700600	Tipping Gear
7	100/3700700	Pumping Handle
8	100/3700800	Cover
9	100/3700900	Quick Lift Pedal
11	100/3701300	Steering Rods
12	100/3400200	Saddle
13	100/3702800	Wheels, 130mm dia.
15	100/3702100	Release Bracket
16	100/3201300	Hinged Joint
17	100/3201500	Axle, Hinged Joint
18	100/3201800	Locking Screw
19	100/3400900	Revolving Wheel
20	100/9002500	Pump, Complete
21	100/9002600	Pump Housing
22	100/9003000	Oil Tube
23	100/9003100	Piston Rod, Quick Lift
24	100/9003300	Cylinder Nut
25	100/9003700	Valve Plug
26	100/9004000	Plastic Hose
27	100/9005000	Cylinder, Complete
28	100/9005100	Cylinder
29	100/9005200	Piston
30	100/9005300	Piston Rod
31	100/9005400	Cylinder Nut
32	100/9020100	Valve Plug
33	100/90204	Spring Screw
34	100/90205	Release Shaft
35	100/9021100	Pump Rod
36	100/9022800	Release valve, Complete
37	100/01004	O-Ring ‡
38	100/01010	O-Ring ‡
39	100/01017	O-Ring ‡
40	100/01032	O-Rings ‡
41	100/01036	O-Ring ‡
42	100/01040	O-Ring ‡
43	100/01103	Oil Seal ‡
44	100/01109	Oil Seal ‡
45	100/01117	Oil Seal ‡

Item	Part No.	Description
46	100/01151	Seal ‡
47	100/01225	Nylon Gland ‡
48	100/01258	Scraper Ring ‡
49	100/01267	Scraper Rings ‡
50	100/02002	Nuts
51	100/02014	Nuts
52	100/02023	Filling Screw
53	100/02025	Adjusting Screw
54	100/02031	Valve Spring
55	100/02037	Spring
56	100/02038	Safety Valve Spring
57	100/02043	Springs
58	100/02045	Spring
59	100/02051	Spring
60	100/02103	Spring Washers
61	100/02115	Washer Plate
62	100/02126	Copper Washer ‡
63	100/02127	Copper Washer ‡
64	100/02135	Circlips
65	100/02205	Circlips
66	100/02206	Circlips
67	100/02210	Circlips
68	100/02221	Circlips
69	100/02223	Locking Washer
70	100/02229	Rivet
71	100/02234	Pin
72	100/02248	Rivets
73	100/02290	Ball ‡
74	100/02292	Balls, 6.2mm ‡
75	100/02293	Balls, 7.5mm
76	100/02295	Balls, 11mm ‡
77	100/02296	Balls, 18mm ‡
78	100/02334	Bolts
79	100/02340	Ball Pad
80	100/02350	Screws
81	100/01083	O-Ring ‡
82	100/02400	Hose Clips
	100/02044	Tipping Gear Spring
	100/34013	Revolving Wheel, Complete
	100/GI	Wheels, Transport, Complete
‡	10Q/RK	Repair Kit (contains items marked ‡)