



INSTRUCTIONS FOR: PREMIER SUPER ROCKET LIFT TRANSMISSION JACK

Models: 300TRQ, 600TRQ & 1000TRQ

Thank you for purchasing a Sealey product. Manufactured to a high standard this product will, if used according to these instructions and properly maintained, give you years of trouble free performance.



IMPORTANT! ENSURE YOU READ AND UNDERSTAND THESE INSTRUCTIONS FULLY BEFORE ATTEMPTING TO USE THE JACK. NOTE THE SAFE OPERATIONAL REQUIREMENTS, DANGERS, WARNINGS & CAUTIONS. USE THE JACK CORRECTLY AND WITH CARE FOR THE PURPOSE FOR WHICH IT IS INTENDED.

WARNING! FAILURE TO APPLY THESE INSTRUCTIONS MAY CAUSE DAMAGE AND/OR SERIOUS PERSONAL OR FATAL INJURY. FAILING TO FOLLOW INSTRUCTIONS WILL ALSO INVALIDATE YOUR WARRANTY. KEEP THESE INSTRUCTIONS SAFE FOR FUTURE USE.

1. SAFETY INSTRUCTIONS

- WARNING!** Ensure all preliminary checks are carefully carried out before use of jack. Immediately repair or replace damaged parts (use authorised service agent). Ensure use of *genuine parts only*. *Non authorised parts may be dangerous and will invalidate the warranty.*
- WARNING!** Use jack on level and solid ground, preferably concrete. Ensure the floor over which the jack will be transported is swept clean.
- DANGER!** DO NOT use on tarmac, or any other soft surface as jack may sink or topple. Serious personal or fatal injury may result.
- DANGER!** If jack tips or leans STOP WHAT YOU ARE DOING. MOVE QUICKLY TO A SAFE DISTANCE. DO NOT TRY TO HOLD OR STEADY JACK. Serious or fatal injury may result.
- Use jack in a suitable work area, keep area clean and tidy and free from unrelated materials. Ensure there is adequate lighting.
- Before use ensure the gearbox weight and size does not exceed the capacity of the jack.
- Ensure the vehicle is raised and stabilised at the correct height before attempting to move the jack under the vehicle.
- Keep all unauthorised persons away from the jack during lifting and lowering and when in transit.
- Maintain correct balance and footing. Ensure the floor is not slippery and wear non-slip shoes.
- Remove ill fitting clothing. Remove ties, watches, rings, and other loose jewellery, contain and/or tie back long hair.
- WARNING!** Ensure load is placed level and centrally on jack saddle and is fixed in place before attempting to lift, lower or transport.
- Ensure the jack saddle is fully lowered and is clean, dry and oil free before attempting to move the jack with or without a load.
- Diligence is required in ensuring that you continually monitor any operation until completed.
- WARNING!** DO NOT operate jack if any parts are damaged or missing .
- DO NOT exceed the rated capacity of the jack.
- DO NOT allow untrained persons to operate the jack.
- DO NOT place any part of your body within or under the jack during use.
- DO NOT raise or lower vehicle lifting platform whilst the transmission jack is being used.
- DO NOT transport the jack, with or without a load, with the saddle in the raised position.
- DO NOT get jack wet or use in damp or wet locations or areas where there is condensation.
- DO NOT operate the jack when you are tired or under the influence of alcohol, drugs or intoxicating medication.
- DO NOT lift or support vehicles with jack and do not use jack as a load sustaining device.
- DO NOT move jack without suitable restraint on the load.
- DO NOT make any modifications to the jack, and DO NOT adjust, or tamper with, safety valve.
- DO NOT remove any labels from the jack.
- DO NOT use brake fluid to top up hydraulic unit. Use Sealey hydraulic jack oil only.
- Only a qualified person should lubricate and maintain the jack.
- Before storing in safe area, ensure all parts are clean, free of grease and oil (especially saddle). Lower saddle to the lowest position.

2. SPECIFICATIONS

Super rocket lift to gearbox reducing time and effort needed. Single foot pedal operation keeps hands free during lifting process. Spring loaded dead man's safety release mechanism decreases risk of inadvertent lowering. Saddle is reversible allowing a jack pad to be fitted to support items other than transmissions. Castor wheels and side handle make the units easily manoeuvrable. Can be used in conjunction with adjustable gearbox supports.

| MODEL: |300TRQ |600TRQ |1000TRQ |
|-----------------------------|--------------------|--------------------|--------------------|
| Rated capacity: |300kg |600kg |1000kg |
| Ram extensions: |1 |1 |1 |
| Minimum saddle base height: |1277mm |1267mm |1316mm |
| Maximum saddle base height: |2105mm |2097mm |2146mm |
| Base size: |575mm x 543mm |575mm x 543mm |720mm x 640mm |
| Hydraulic lift: |828mm |830mm |830mm |

3. ASSEMBLY

Unpack the product and check contents. Should there be any damaged or missing parts contact your supplier immediately.

- 3.1. Fix hydraulic unit to the 2 base legs with the 4 long bolts and associated nuts and bolts (fig 1).
- 3.2. Assemble the four wheels onto the base legs using the 4 nuts and washers (fig 1).
- 3.3. Place the saddle on top of the hydraulic ram.

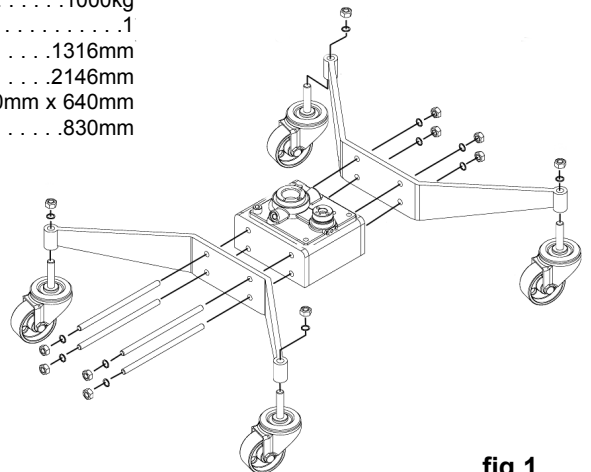


fig 1

4. PRE-USE CHECK LIST

IMPORTANT

4.1. **IMPORTANT:** Before *EACH* use, check jack is in sound working order. Use following list to form a habitual pre-check procedure. Check unit for the following: Damage, Distortion, Leaning, Worn or missing components. The following must also be checked:

- | | | |
|---------------------------------------|----------------------------|------------------------------|
| 1. . . .Saddle base | 5. . . .All nuts and bolts | 8. . . .Foot pumps |
| 2. . . .Piston rod | 6. . . .All seals | 9. . . .Swivel castor wheels |
| 3. . . .Cylinder/Hydraulic unit | 7. . . .Jack main frame | 10. . .Handle |
| 4. . . .Stopper rings and cotter pins | | |

- WARNING!** *DO NOT* use jack if any suspect part is found, or if believed to have been subjected to abnormal load or shock load. Immediately remove from service and contact an authorised service agent.

4.2. IMPORTANT:

Before using the jack for the first time, purge the hydraulic circuit in order to eliminate any air, that may have accumulated in the system during transit, as follows:

1. Hold the jack release valve open by turning it anti-clockwise (fig 2.C) whilst also holding handle (B).
2. Operate the hydraulic lifting pedal (A) by pumping it 15 to 20 times in order to purge any air from the system.
3. Release the jack release valve (C) and the unit is ready for use.

5. OPERATING INSTRUCTIONS

- WARNING!** Before use ensure you have read, understood and apply Section 1 safety instructions.
- WARNING!** Ensure you prepare vehicle correctly before attempting to use the Transmission Jack.

5.1. POSITIONING JACK BENEATH LOAD.

Before use ensure the transmission weight and size does not exceed the capacity of the jack.

- 5.1.1. Ensure the vehicle from which the gearbox is to be removed is correctly positioned, handbrake applied and raised to allow the transmission jack to be positioned correctly.
- 5.1.2. Ensure there are no other persons around or under the vehicle.
- 5.1.3. Ensure saddle is in its lowest position and centrally position jack beneath vehicle transmission.
- 5.1.4. Hold handle (B) to steady the jack and pump foot pedal (A) to raise the saddle.
- 5.1.5. When saddle is just beneath the transmission re-adjust alignment if necessary to centralise the saddle. Continue to pump the foot pedal (A) until saddle locates on the transmission.

5.2. LOWERING THE LOAD.

- WARNING!** Ensure the load is central and stable on the jack saddle and load is fixed in place before attempting to lift, lower, or transport. Turn the jack release valve (C) to lower saddle to the minimum height before attempting to transport load.
- * **IMPORTANT:** The unit is fitted with a safety device which permits the load to be lowered smoothly by automatically controlling the speed at a rate dependant upon the weight of the load.

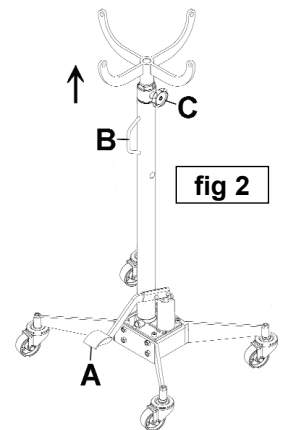
5.3. TRANSPORTING THE LOAD.

- WARNING!** Ensure you have read, understood and apply Section 1 safety instructions.
- 5.3.1. Ensure the jack saddle is fully lowered and load is fixed in place before attempting to lift, or transport.
 - 5.3.2. Transport the load over level and solid ground, preferably concrete, and ensure the floor is swept clean beforehand.
 - 5.3.3. Be diligent in continually monitoring the load in transit. Keep all other persons at a safe distance.
- ▲ **DANGER!** *DO NOT* use on tarmacadam, or any soft surface as jack may sink or topple. Serious or fatal injury may result.
- ▲ **DANGER!** If jack tips or leans STOP WHAT YOUR ARE DOING. MOVE QUICKLY TO A SAFE DISTANCE. DO NOT TRY TO HOLD OR STEADY JACK.

Note this jack may be used with appropriate adaptors in order to handle such components as rear axle units and transfer cases that are within the weight limitations of the jack.

5.4. RE-INSTALLING A GEARBOX.

Reposition beneath vehicle and raise the load up, reversing the procedures outlined above.



6. MAINTENANCE

- 6.1. When the jack is not in use, the saddle must be in the lowest position to minimise ram and piston corrosion.
- 6.2. Keep the jack clean and wipe off any oil or grease. Lubricate all moving parts with acid free oil.
- 6.3. Before each use, follow the pre-check list to ensure components are in good working order. If any suspect item is found remove jack from service and take necessary action to remedy the problem.
DO NOT use the jack if you believe it has been subjected to an abnormal load or shock load. If in doubt contact your local service agent.
- 6.4. Periodically check the pump piston and piston rod for signs of corrosion. Clean exposed areas with a clean oiled cloth.
IMPORTANT: All other maintenance and repair (including oil change) must only be undertaken by fully qualified personnel. Contact your local authorised service agent.
- 6.5. The oil cylinder is a sealed unit and in principle should not be accessed. To check and top-up the oil, remove oil plug (item 3 in parts list). The oil level should be just below the oil plug hole - with the saddle in the lowest position.

WARNING! Only a good quality hydraulic jack oil, such as SEALEY HYDRAULIC JACK OIL must be used, DO NOT use brake fluid. DO NOT overfill as this will render the jack inoperative.

IMPORTANT: NO RESPONSIBILITY IS ACCEPTED FOR INCORRECT USE OF THE JACK.

Hydraulic products are only repaired by local service agents. We have service/repair agents in all parts of the UK. **DO NOT RETURN JACKS TO US.** Please telephone 01284 757500 to obtain address and 'phone number of your local agent. If Jack is under guarantee please contact your dealer.

De-commissioning the Jack: Should the jack become completely unserviceable and require disposal, draw off the oil into an approved container and dispose of the jack and the oil according to local regulations.

7. TROUBLESHOOTING

IMPORTANT! Although the following may identify a problem, we recommend the problem be resolved by an authorised service agent.

| PROBLEM | CAUSE | SOLUTION |
|-----------------------------|---|---|
| Jack will not lift | No hydraulic oil, or defective suction valve or delivery valve Release valve is open | Contact authorised service agent. Close release valve. |
| Jack will only lift halfway | Hydraulic oil low, or excess hydraulic oil | Contact authorised service agent. |
| Raised load will not hold | Defective valves, or defective piston packing | Contact authorised service agent. |
| Poor lifting | Defective plunger packing | Contact authorised service agent. |

Declaration of Conformity We, the sole importer into the UK, declare that the products listed below are in conformity with the following standards and directives.

**Premier Super Rocket Lift
Transmission Jacks**

Models: 300TRQ, 600TRQ & 1000TRQ

98/37/EC Machinery Directive
93/68/EEC Marking Directive



The construction files for these products are held by the Manufacturer and may be inspected, by a national authority, upon request to Jack Sealey Ltd.

Signed by Mark Sweetman

4th April 2006

For Jack Sealey Ltd., Sole importer into the UK of Sealey Quality Machinery.

NOTE: It is our policy to continually improve products and as such we reserve the right to alter data, specifications and component parts without prior notice.

IMPORTANT: No liability is accepted for incorrect use of this product.

WARRANTY: Guarantee is 12 months from purchase date, proof of which will be required for any claim.

INFORMATION: For a copy of our catalogue and latest promotions call us on 01284 757525 and leave your full name, address and postcode.



Sole UK Distributor
Sealey Group,
Bury St. Edmunds, Suffolk.



01284 757500



01284 703534



www.sealey.co.uk



sales@sealey.co.uk