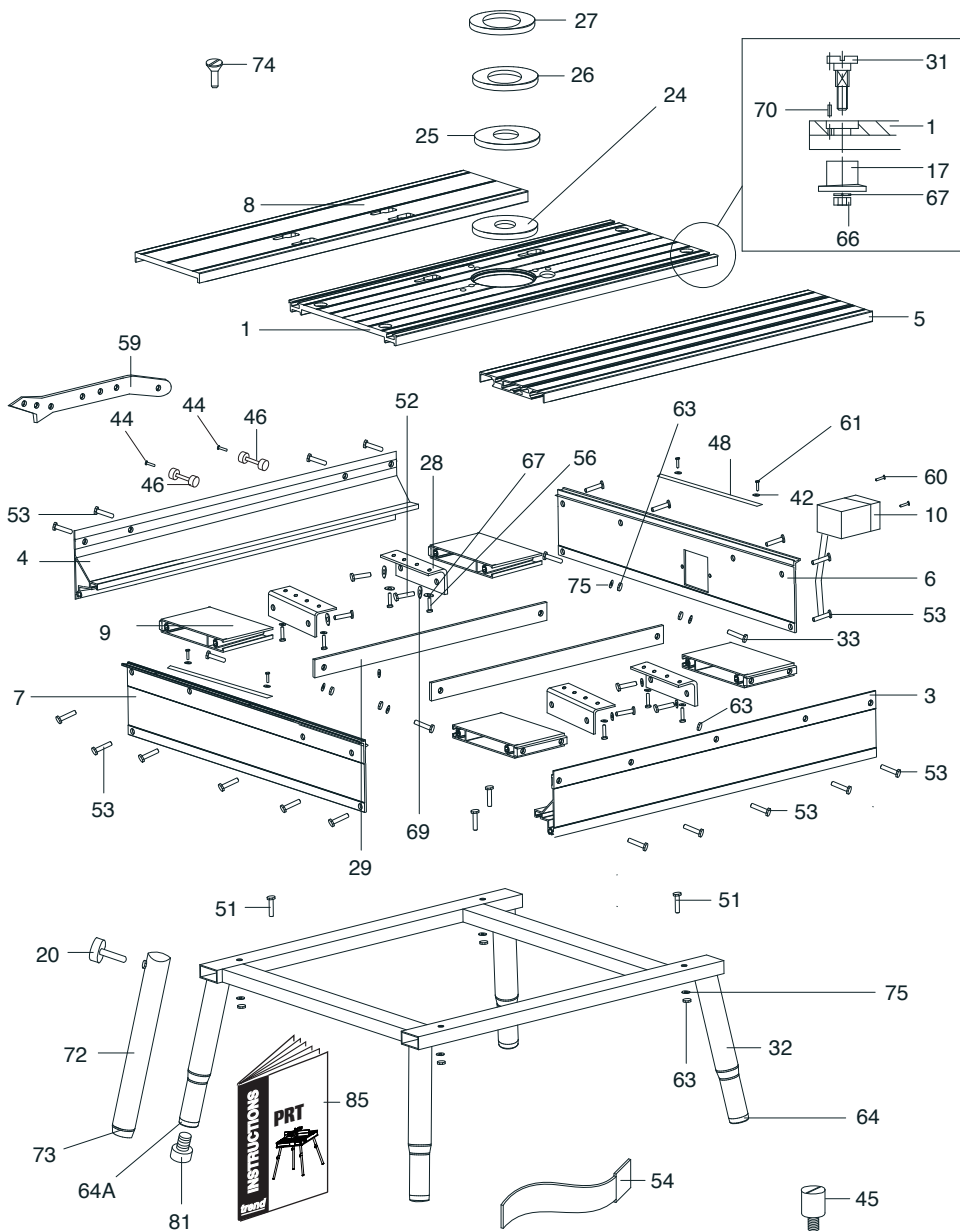


**PRT - SPARE PARTS DIAGRAM**

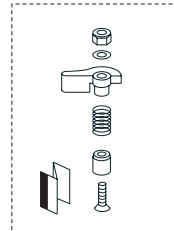
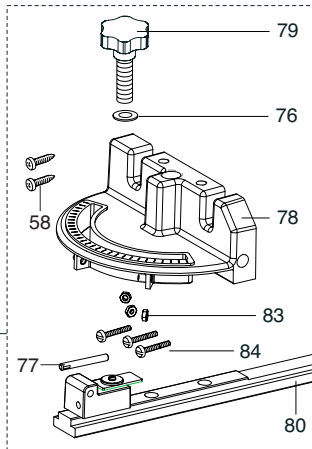
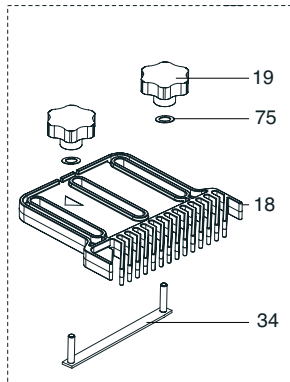
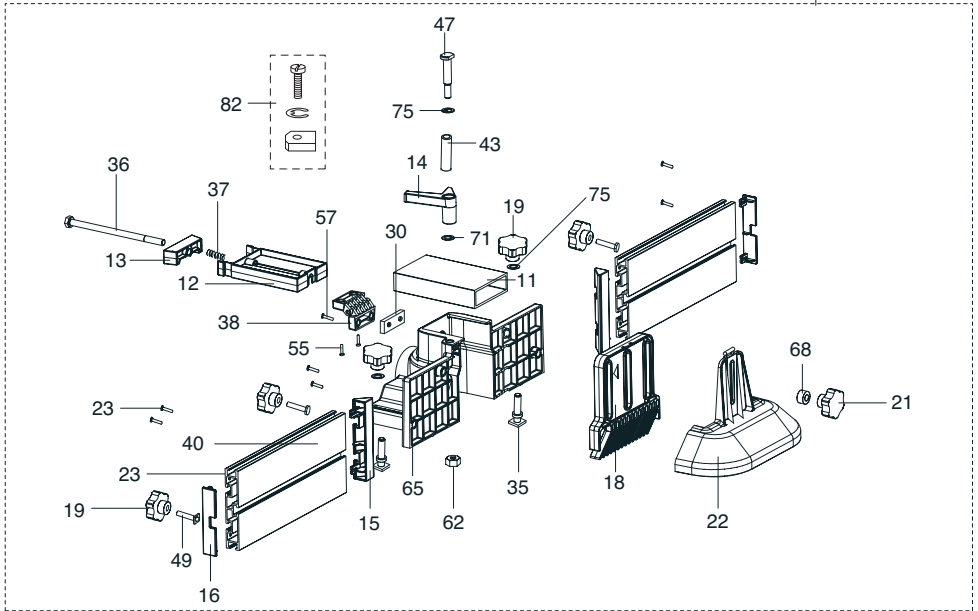
**V2.0 12/2005**



**PRT - SPARE PARTS DIAGRAM**

**V2.0 12/2005**

2



Please use only Trend original spare parts.

<b>PRT - SPARE PARTS LIST</b>			<b>V2.0 12/2005</b>
<b>No.</b>	<b>Qty.</b>	<b>Desc.</b>	<b>Ref.</b>
1	1	Extrusion Top Middle	WP-PRT/01
2	0	Back Fence Complete	WP-PRT/02
3	1	Extrusion Side Front	WP-PRT/03
4	1	Extrusion Side Back	WP-PRT/04
5	1	Extrusion Top Front	WP-PRT/05
6	1	Extrusion Side Right	WP-PRT/06
7	1	Extrusion Side Left	WP-PRT/07
8	1	Extrusion Top Back	WP-PRT/08
9	4	Extrusion Bracket Front	WP-PRT/09
10	1	No Volt Release Switch 230V UK	WP-PRT/10
	0	No Volt Release Switch 230V Euro	WP-PRT/EURO
	0	No Volt Release Switch 115V UK	WP-PRT/10/L
11	1	Pivot Guard Housing	WP-PRT/11
12	1	Pivot Guard Slider	WP-PRT/12
13	1	Pivot Guard Clamping Wedge	WP-PRT/13
14	1	Pivot Guard Cam Locking Lever	WP-PRT/14
15	2	Cheek End Cap Angled	WP-PRT/15
16	2	Cheek End Cap	WP-PRT/16
17	4	Extrusion Cam Lock	WP-PRT/17
18	2	Finger Pressure Only	WP-PRT/18
19	8	Lobe Knob 40mm Dia M8 Female	WP-PRT/19
20	4	Lobe Knob 40mm Dia M8 x 15mm Male	WP-PRT/20
21	1	Lobe Knob 30mm for Guard M8 Female	WP-PRT/21
22	1	Clear Visor	WP-PRT/22
23	7	Screw Self Tapping Csk 3mm x 9.5mm Pozi	WP-PRT/23
24	1	Insert Ring 20mm ID	WP-PRT/24
25	1	Insert Ring 35mm ID	WP-PRT/25
26	1	Insert Ring 54mm ID	WP-PRT/26
27	1	Insert Ring 68mm ID	WP-PRT/27
28	4	Extrusion Support Bracket	WP-PRT/28
29	2	Extrusion Vertical Support	WP-PRT/29
30	1	Pivot Guard Spacer Plate	WP-PRT/30
31	4	Extrusion Lock Screw M6 x 27mm Slot	WP-PRT/31
32	1	Table Frame Welded	WP-PRT/32
33	4	Set Screw Hex M8 x 22mm	WP-PRT/33
34	1	Side Pressure Holder	WP-PRT/34
35	2	Back Fence Fixing Bolt M8	WP-PRT/35
36	1	Pivot Guard Slider Bolt M8 x 150mm	WP-PRT/36
37	1	Pivot Guard Slider Spring	WP-PRT/37
38	1	Pivot Guard Hinge	WP-PRT/38
39	1	Mitre Fence Complete	MITRE/1
40	2	Sliding Extrusion Cheek	WP-PRT/40
41	0	Side Finger Pressure Assembly	PRESSURE/2
42	4	Washer for Scale	WP-PRT/42

<b>PRT - SPARE PARTS LIST</b>			<b>V2.0 12/2005</b>
<b>No.</b>	<b>Qty.</b>	<b>Desc.</b>	<b>Ref.</b>
43	0	Cam Lever Lock Bush 12mm	WP-PRT/43
44	2	Pushstick Park Screw M4 x 20mm Pozi	WP-PRT/44
45	1	Lead-On Pin M6	WP-PRT/45
46	2	Pushstick Park Bush	WP-PRT/46
47	1	Cam Lever Set Screw M8 x 60mm	WP-PRT/47
48	2	Scale	WP-PRT/48
49	4	Cheek T Slot Bolt M8 x 27mm	WP-PRT/49
51	4	Set Screw Hex Bolt M8 x 35mm	WP-BOLT/10
52	8	Set Screw Hex Bolt M8 x 16mm	WP-BOLT/11
53	20	Machine Screw Cap M8 x16mm Socket	WP-SCW/92
54	1	Router Switch Lock	PRT/LOCK
55	2	Machine Screw Cap M6 x 16mm Socket	WP-SCW/87
56	8	Screw Hex Bolt M6 x 8mm Socket	WP-SCW/88
57	2	Machine Screw Csk M6 x 20mm Socket	WP-SCW/89
58	2	Screw Self Tapping Pan No 12 x 32mm Pozi	WP-SCW/110
59	1	Push Stick	PUSHSTICK/1
60	2	Screw Self Tapping Pan 4.2mm x 13mm Pozi	WP-PRT/60
61	4	Machine Screw Cap M4 x 6mm Socket Slot for Scale	WP-PRT/61
62	1	Nut Hex M8	WP-NUT/08
63	8	Nut Nylon M8	WP-NUT/09
64	3	Short Leg Plastic Foot 30mm	WP-PRT/64
64A	1	Short Adjustable Leg Plastic Foot 30mm	WP-PRT/64A
65	1	Back Fence Casting	WP-PRT/65
66	4	Nut Hex M6	WP-NUT/06
67	13	Washer 6.6mm x 12mm x 1.6mm	WP-WASH/11
68	1	Spacer 8mm Bore	WP-PRT/68
69	8	Washer 8.3mm x 24mm x 1.8mm	WP-PRT/69
70	4	Pin For Extrusion Cam Lock	WP-PRT/70
71	1	Cam Lock Washer 12mm	WP-PRT/71
72	4	Floor Leg	WP-PRT/72
73	4	Floor Leg Rubber Foot	WP-PRT/73
74	3	Machine Screw Csk M6 x 20mm Socket	WP-SCW/89
75	20	Washer 8.3mm x 15.8mm x 1.6mm	WP-WASH/15
76	1	Washer 6.4mm x 16mm x 1.0mm	WP-PRT/76
77	1	Mitre Fence Location	WP-PRT/77
78	1	Mitre Fence Body	WP-PRT/78
79	1	Mitre Fence Knob M6 x 20mm Male	WP-PRT/79
80	1	Mitre Fence Rail and Index Head	WP-PRT/80
81	1	Short Leg Adjustable Foot	WP-PRT/81
82	1	Back Fence Vertical Adjuster Set (Retrofit) < 04/2005	WP-PRT/82
	1	Back Fence Vertical Adjuster Set > 04/2005	WP-PRT/82A
83	3	Nut Hex M5	WP-NUT/05
84	3	Machine Screw Pan M5 x 20mm Slot	WP-SCW/16
85	1	Manual	MANU/PRT