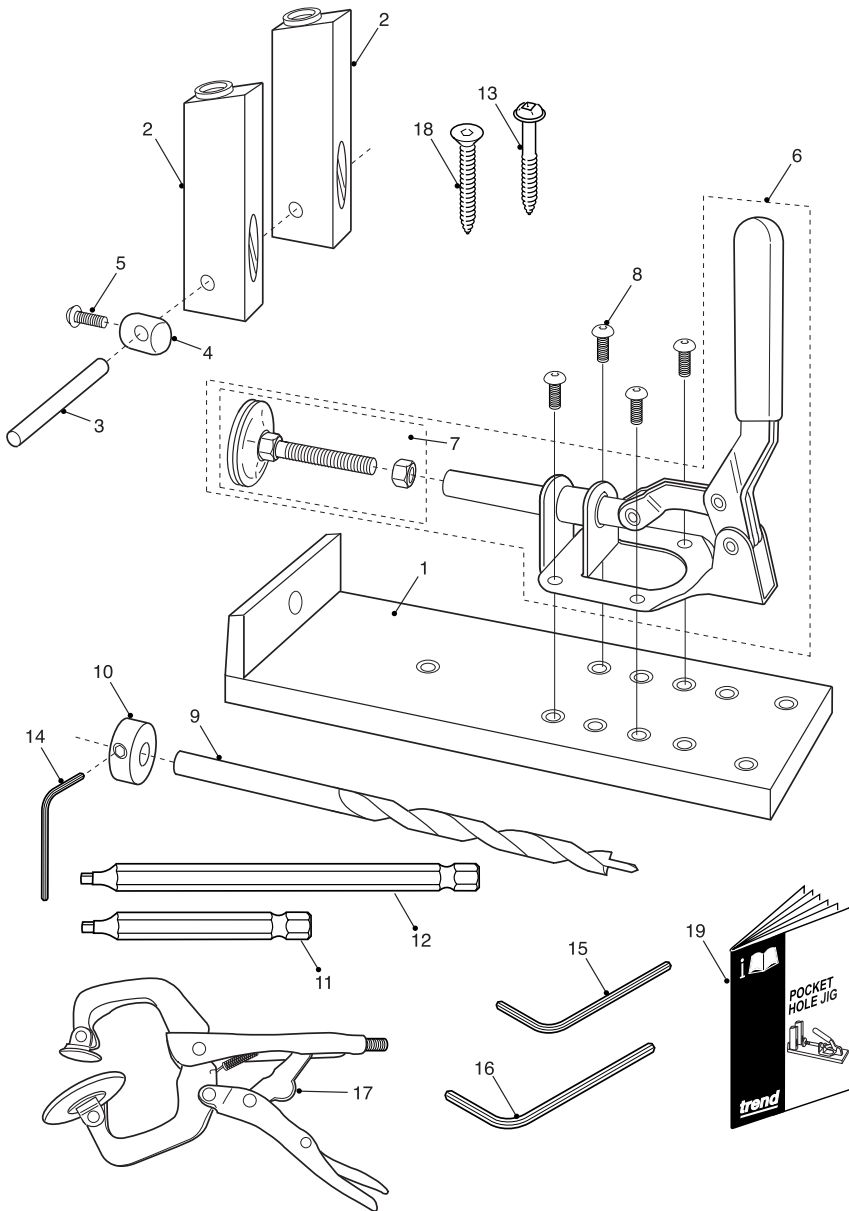


**PH/JIG - SPARE PARTS DIAGRAM**

v2.0 08/2003



<b>PH/JIG - SPARE PARTS LIST</b>			<b>v2.0 8/2003</b>
<b>No.</b>	<b>Qty.</b>	<b>Desc.</b>	<b>Ref.</b>
1	1	Jig Body	WP-PHJ/01
2	2	Guide Column with Solid Bush	WP-PHJ/02
3	1	Guide Column Rod	WP-PHJ/03
4	1	Guide Column Nut	WP-PHJ/04
5	1	Machine Screw Dome M6 x 12mm Socket	WP-SCW/72
6	1	Push-pull Clamp Complete	WP-PHJ/06
7	1	Push-pull Clamp Adjustable Pad & Stud Assembly	WP-PHJ/07
8	4	Machine Screw Dome M5 x 10mm Socket	WP-SCW/71
9	1	Stepped Drill 9.5mm (3/8") Diameter x 150mm Long HSS	PH/DRILL/95
10	1	Depth Collar for Stepped Drill	PH/COLL/95
11	1	Snappy Square Drive Screwdriver Bit No. 2 x 75mm long	SNAP/SQ/2A
12	1	Snappy Square Drive Screwdriver Bit No. 2 x 150mm long	SNAP/SQ/2B
13	1	Screw Pocket Hole Self Tapping Dome No. 7 x 30mm Square Pack of 500	PH/7X30/500
14	1	Hex Key 2.5mm A/F	WP-AP/25
15	1	Hex Key 3mm A/F	WP-AP/03
16	1	Hex Key 4mm A/F	WP-AP/04
17	1	Face Clamp 152mm Long x 42mm Throat x 42mm Opening	PH/CLAMP/F6
18	3	Bench Fixing Screws Csk No. 8 x 25mm Pozi	WP-SCW/100
19	1	Manual	MANU/PH