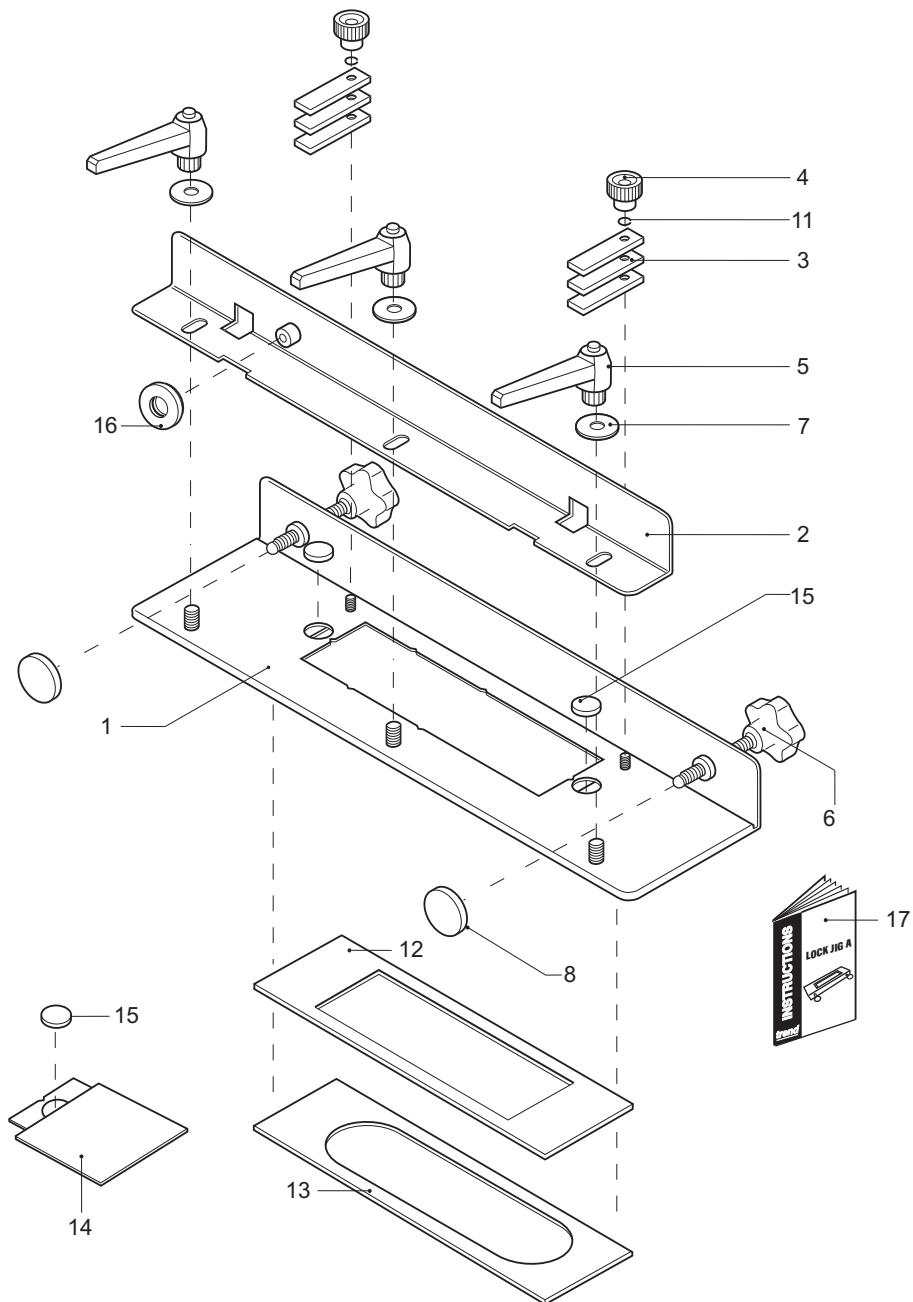


LOCK/JIG/A - SPARE PARTS DIAGRAM

v2.0 06/2011



Please use only Trend original spare parts.

LOCK/JIG/A - SPARE PARTS LIST			v2.0 06/2011
No.	Qty.	Desc.	Ref.
1	1	Lock Jig A Body	WP-LOCK/A/01
2	1	Clamp Bar for Lock Jig A	WP-LOCK/A/02
3	6	Spacer Finger	WP-LOCK/03
4	2	Mini Knob 15mm Female M5 x 15mm	WP-LOCK/04
5	3	Adjustable Lever Female M8	WP-LOCK/05
6	2	Lobe Knob Male M10 x 40mm Ball End	WP-LOCK/06A
7	3	Washer 8.5mm x 25mm x 1.5mm	WP-WASH/17
8	2	Plastic Cap Ball End	WP-LOCK/08A
9	-	-	-
10	-	-	-
11	2	Spring Washer M5	WP-WASH/29
12	1	Mortise Template A (35mm x 198mm)	WP-LOCK/A/T/A
13	1	Face Plate Template 1 (38mm x 253mm)	WP-LOCK/A/T/1
	1	Face Plate Template 2 (42mm x 253mm)	WP-LOCK/A/T/2
14	1	Adaptor Plate for Smaller Templates	WP-LOCK/A/14
15	1	Magnet 15mm x 3mm (4 Pack)	MAG/PACK/1
16	1	Guide Bush Collar 16mm to 30mm	GB/COLL/1630
17	1	Manual	MANU/LOCK/A