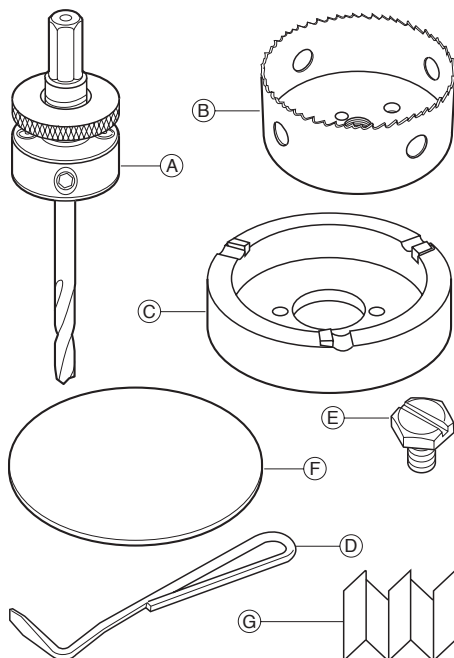


**CAS/KIT - SPARE PARTS DIAGRAM**

**V1.0 12/2009**



Item	Qty	Desc.	Ref. (1 off)
A	1	Heavy Duty Arbor UNF5/8-18 with 6.35mm Drill	WP-CAS/01
	1	Arbor Drill Bit 6.35mm Dia.	WP-CAS/02
B	1	Hole Saw 102mm Dia.	WP-CAS/03
D	1	Waste Removal Tool	WP-CAS/04
E	2	M/C Screw Hex M8 x 12mm Slot	WP-CAS/05
F	1	Steel Covers 102mm Dia. (Pk5)	CAS/SC/5
	1	Carry Case	CASE/CAS
G	1	Instructions	INST/CAS