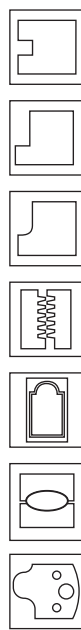
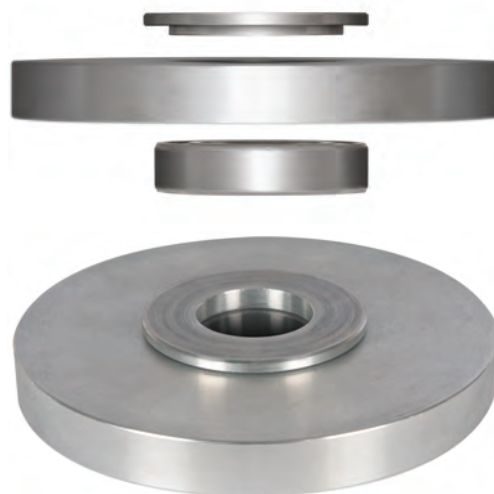
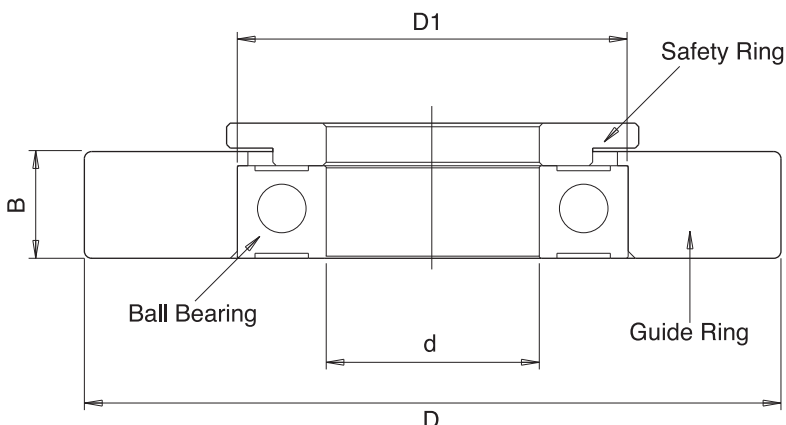


Ball Bearing Guide Rings

- A complete range of alloy guide rings for use in conjunction with a ball bearing and security ring.
- Enables cutter blocks to be used with a template or directly onto the work piece for shaping work.
- Choose required diameter guide ring from this table and corresponding ball bearing and safety ring from the second table depending on shaft diameter.

D	D1	B	Description	Product Ref.	Stock	Price
75	55	15	Guide Ring	IT/192 581 0	Y	£18.90
80	55	15	Guide Ring	IT/192 582 0	Y	£19.85
85	55	15	Guide Ring	IT/192 583 0	Y	£20.79
90	55	15	Guide Ring	IT/192 584 0	Y	£21.74
95	55	15	Guide Ring	IT/192 585 0	Y	£22.68
100	55	15	Guide Ring	IT/192 586 0	Y	£27.41
105	55	15	Guide Ring	IT/192 587 0	Y	£28.35
110	55	15	Guide Ring	IT/192 588 0	Y	£29.30
115	55	15	Guide Ring	IT/192 589 0	Y	£30.77
120	55	15	Guide Ring	IT/192 590 0	Y	£22.05
125	55	15	Guide Ring	IT/192 591 0	Y	£36.86
130	55	15	Guide Ring	IT/192 592 0	Y	£24.15
135	55	15	Guide Ring	IT/192 593 0	Y	£28.35
140	55	15	Guide Ring	IT/192 594 0	Y	£29.40
145	55	15	Guide Ring	IT/192 595 0	Y	£31.50
150	55	15	Guide Ring	IT/192 596 0	Y	£32.55

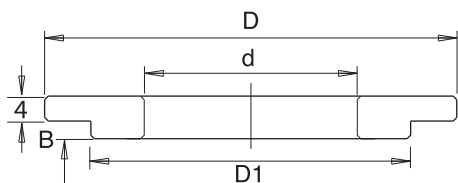
D1	B	Description	30mm Bore d	1 1/4" Bore d	Stock	Price
55	13	Ball Bearing	IT/191 023 0	IT/191 023 7	Y	£19.85
		Safety Ring	IT/192 510 0	IT/192 510 7	Y	£8.51



Reduction Bush

- Steel reduction bush to reduce bore of a 1 1/4" bore block to 30 mm. To be used as a pair.

D	D1	d	B	Product Ref.	Stock	Price
55	1 1/4"	30	5	IT/BUSH/31830	Y	£10.92



Key

Stock - Y means normally kept in stock for next day delivery.
N means not normally held in stock, delivery in a short time.