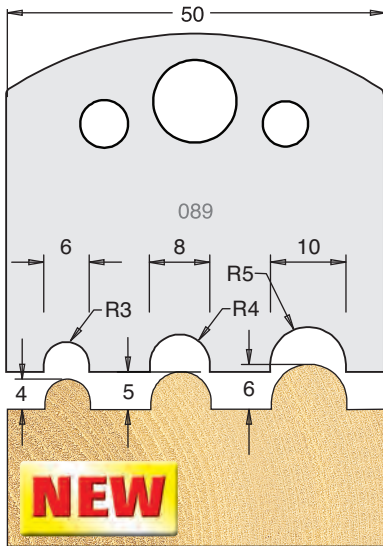


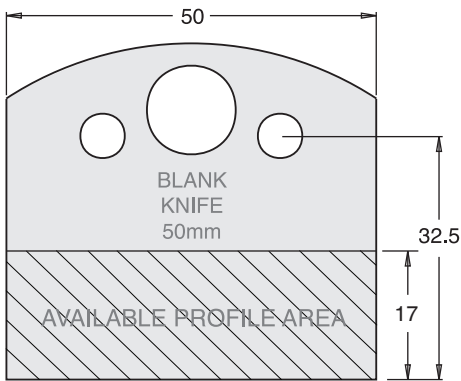
All drawings are actual size
 Profile drawing shows back of knife

Tool Steel Multi Profile Cutter - 50x4mm

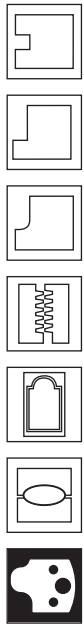


Knives	IT/33 089 50	£20.48
Limitors	IT/34 089 50	£17.12

Blank Knife



Tool Steel	IT/335 004 6	£7.56
High Speed Steel	IT/ST/HSSB02	£29.82
Limitors	IT/345 004 6	£4.73



All blades sold as a pair
 All prices are exclusive of VAT