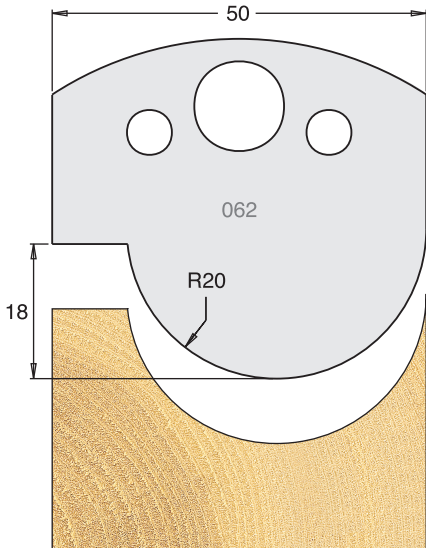
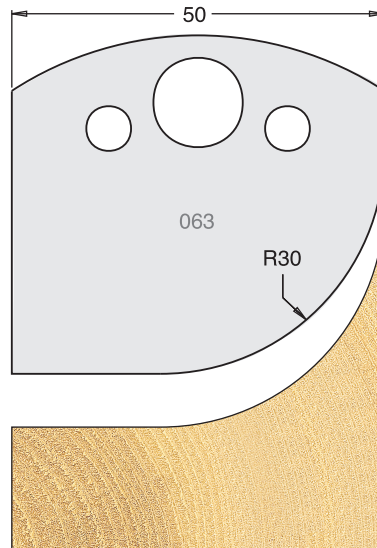


All drawings are actual size
Profile drawing shows back of knife

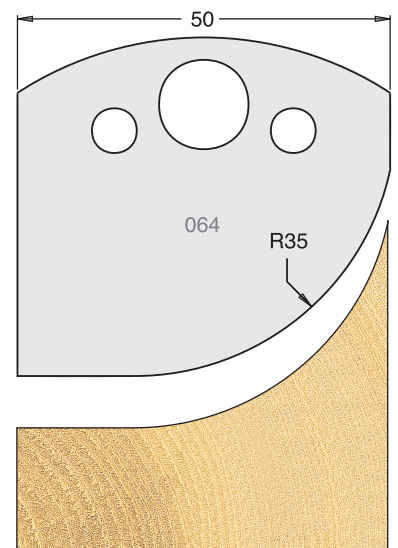
Tool Steel Multi Profile Cutters - 50x4mm



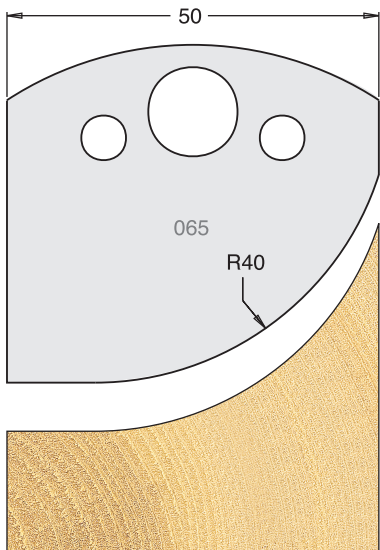
Knives	IT/33 062 50	£20.48
Limitors	IT/34 062 50	£17.12



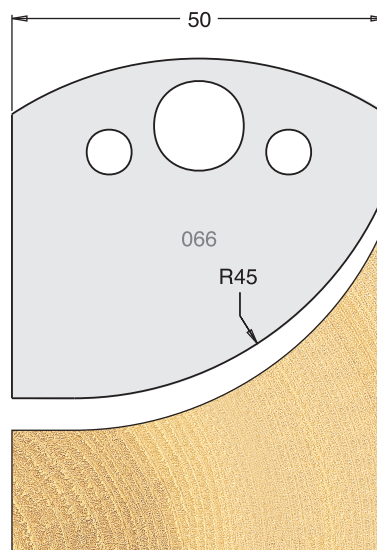
Knives	IT/33 063 50	£20.48
Limitors	IT/34 063 50	£17.12



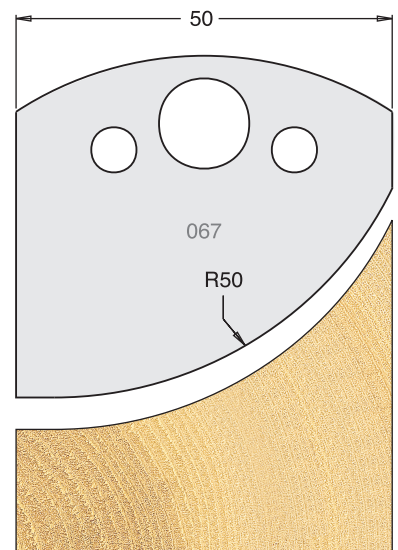
Knives	IT/33 064 50	£20.48
Limitors	IT/34 064 50	£17.12



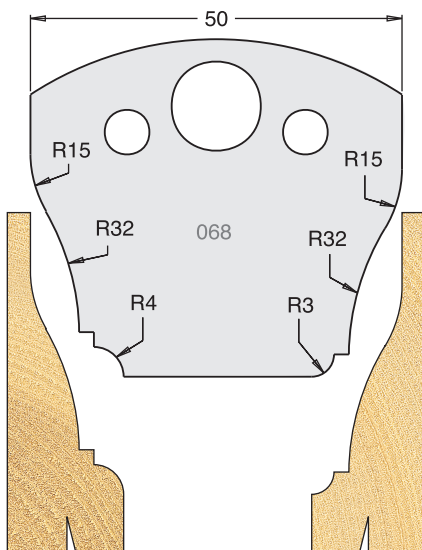
Knives	IT/33 065 50	£20.48
Limitors	IT/34 065 50	£17.12



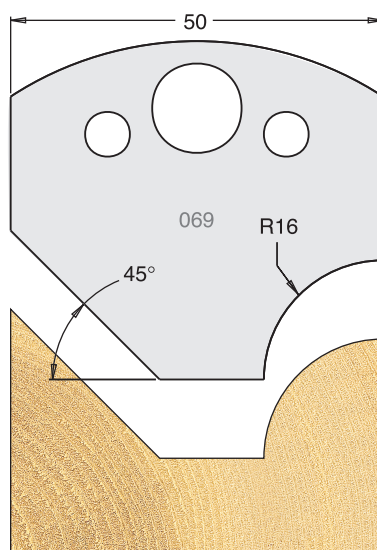
Knives	IT/33 066 50	£20.48
Limitors	IT/34 066 50	£17.12



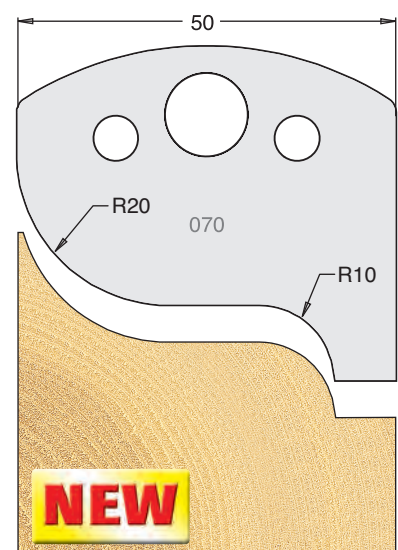
Knives	IT/33 067 50	£20.48
Limitors	IT/34 067 50	£17.12



Knives	IT/33 068 50	£20.48
Limitors	IT/34 068 50	£17.12



Knives	IT/33 069 50	£20.48
Limitors	IT/34 069 50	£17.12



Knives	IT/33 070 50	£20.48
Limitors	IT/34 070 50	£17.12

All blades sold as a pair
All prices are exclusive of VAT

