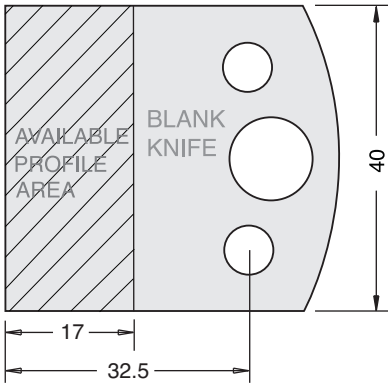


Blank Knife



Tool Steel	IT/33 000 46	£5.40
High Speed Steel	IT/ST/HSSB01	£21.20
Limitors	IT/34 000 46	£4.00

Multi Profile Six Piece Cutter Block Set

- Multi Profile Cutter Block Set complete in a wooden storage box.
- Set comes complete with profile knives and limiter plates 001 to 006 and hard wearing alloy cutter block IT/776 020 1 (30mm bore) or IT/776 010 7 (1 1/4" bore).
- Suitable for jointing, rebating and profiling in un-bonded softwood and hardwood.
- Suitable for Hand Feeding (MAN).



IT/33 001 40 Knives
IT/34 001 40 Limitors



IT/33 002 40 Knives
IT/34 002 40 Limitors



IT/33 003 40 Knives
IT/34 003 40 Limitors



IT/33 004 40 Knives
IT/34 004 40 Limitors



IT/33 005 40 Knives
IT/34 005 40 Limitors



IT/33 006 40 Knives
IT/34 006 40 Limitors

D	B	z	Profiles	30mm Bore	1 1/4" Bore	Stock	Price
100	40	2	001 - 006	IT/ST/SET001	IT/ST/SET007	Y	£167.79

Key

Stock - Y means normally kept in stock for next day delivery.
N means not normally held in stock, delivery in a short time.