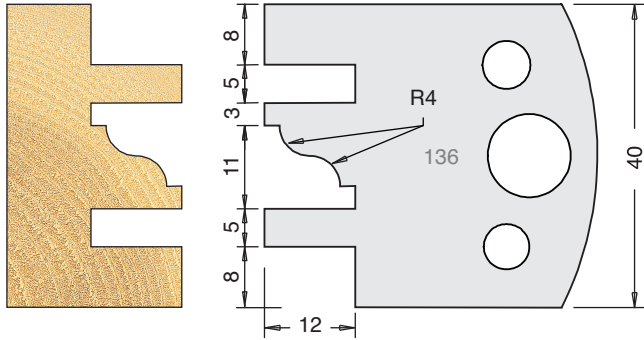


All drawings are actual size
Profile drawing shows back of knife

Tool Steel Multi Profile Cutters - 40x4mm

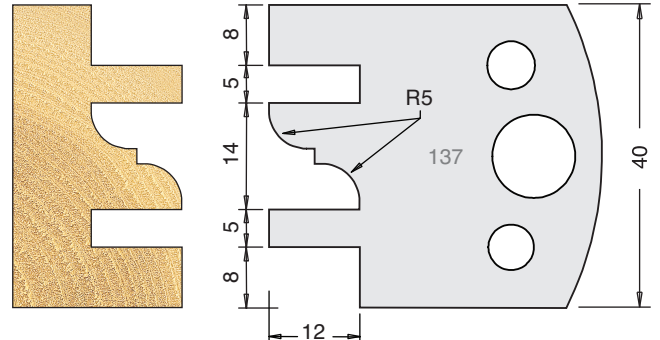
Max. timber thickness 25mm



Knives	IT/33 136 40	£14.00
Limitors	IT/34 136 40	£11.00

NEW

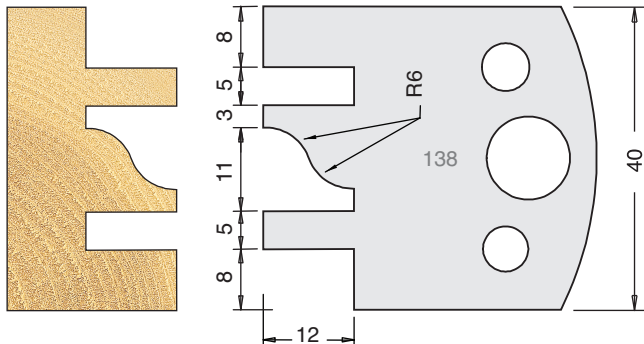
Max. timber thickness 25mm



Knives	IT/33 137 40	£14.00
Limitors	IT/34 137 40	£11.00

NEW

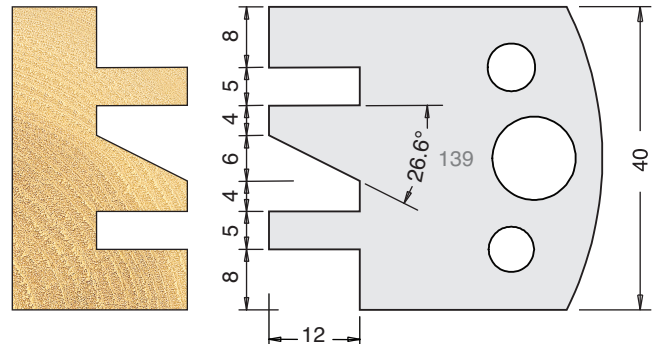
Max. timber thickness 25mm



Knives	IT/33 138 40	£14.00
Limitors	IT/34 138 40	£11.00

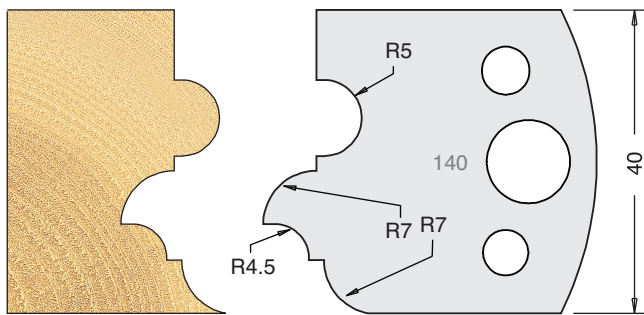
NEW

Max. timber thickness 25mm



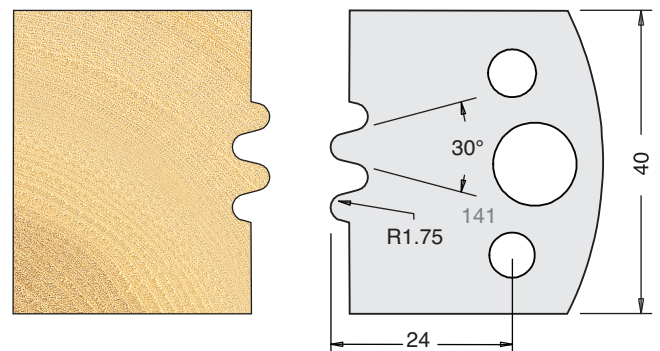
Knives	IT/33 139 40	£14.00
Limitors	IT/34 139 40	£11.00

NEW



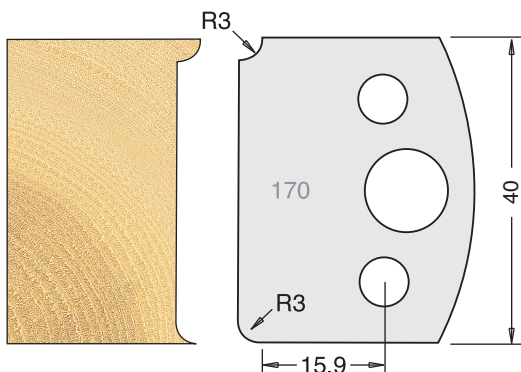
Knives	IT/33 140 40	£14.00
Limitors	IT/34 140 40	£11.00

NEW

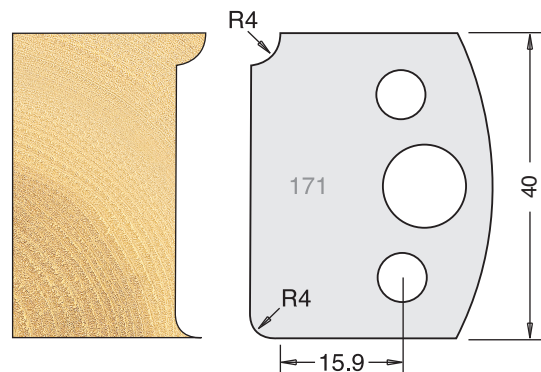


Knives	IT/33 141 40	£14.00
Limitors	IT/34 141 40	£11.00

NEW



Knives	IT/33 170 40	£9.00
Limitors	IT/34 170 40	£8.50



Knives	IT/33 171 40	£9.00
Limitors	IT/34 171 40	£8.50

All blades sold as a pair
All prices are exclusive of VAT