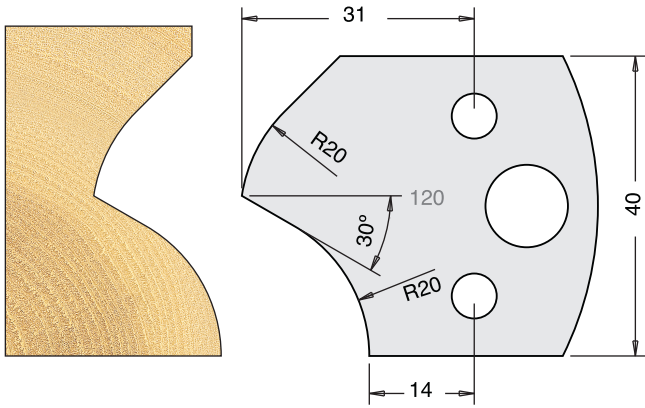
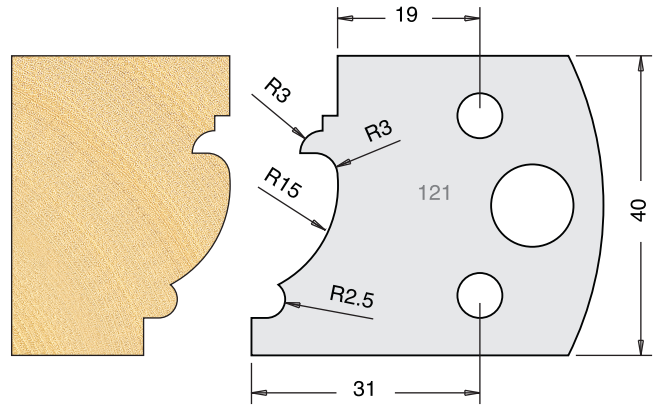


All drawings are actual size
Profile drawing shows back of knife

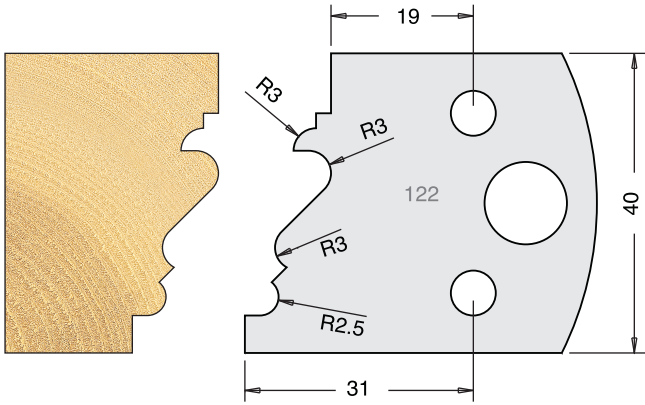
Tool Steel Multi Profile Cutters - 40x4mm



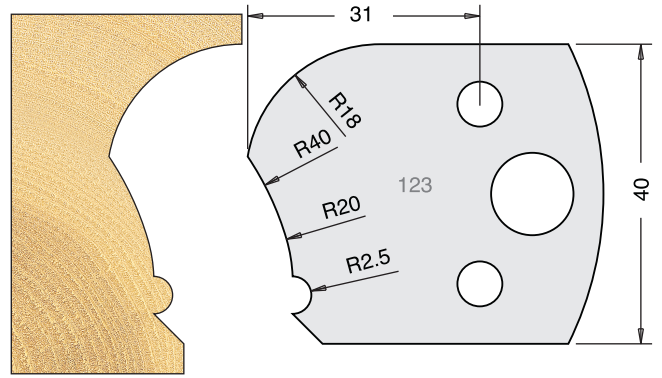
Knives	IT/33 120 40	£9.00
Limitors	IT/34 120 40	£8.50



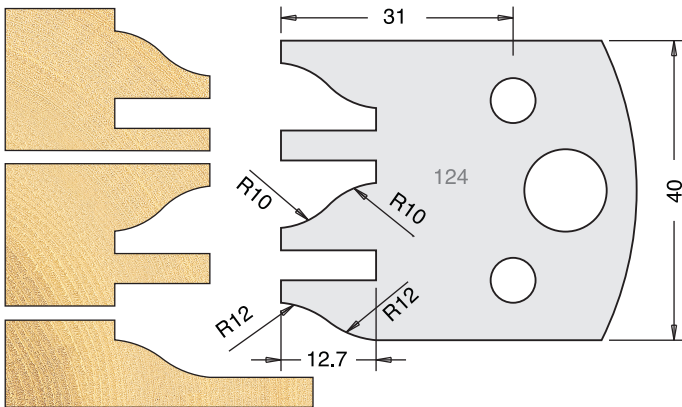
Knives	IT/33 121 40	£9.00
Limitors	IT/34 121 40	£8.50



Knives	IT/33 122 40	£9.00
Limitors	IT/34 122 40	£8.50

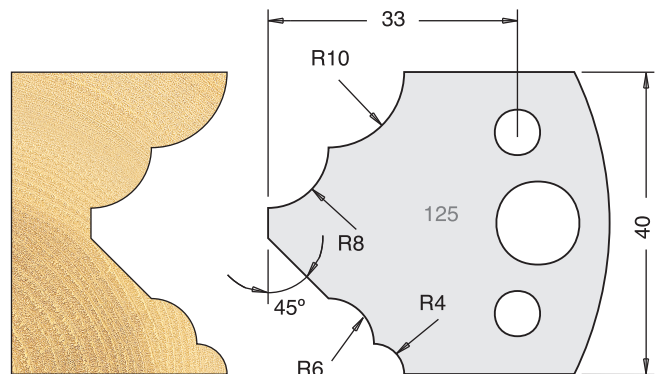


Knives	IT/33 123 40	£9.00
Limitors	IT/34 123 40	£8.50

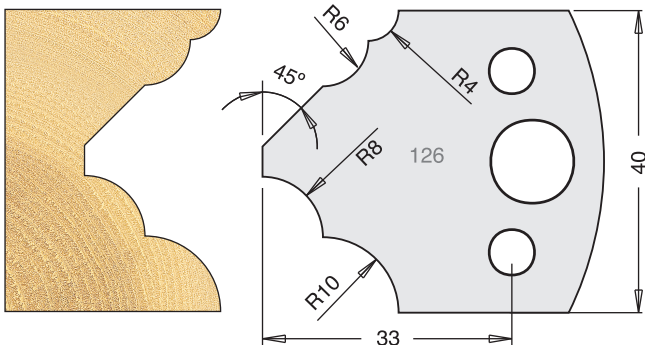


Knives	IT/33 124 40	£9.00
Limitors	IT/34 124 40	£8.50

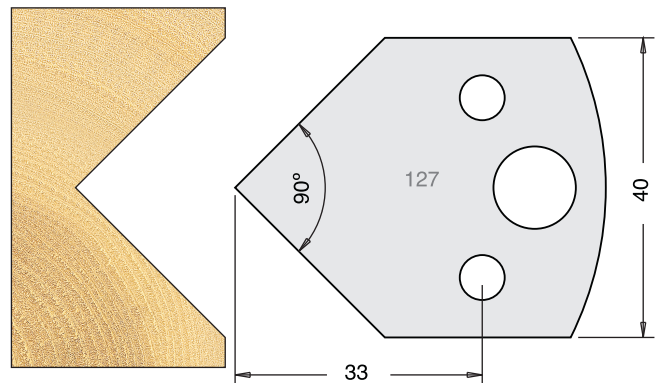
For moulding on one side only
Max. timber thickness 18mm



Knives	IT/33 125 40	£9.00
Limitors	IT/34 125 40	£8.50



Knives	IT/33 126 40	£9.00
Limitors	IT/34 126 40	£8.50



Knives	IT/33 127 40	£9.00
Limitors	IT/34 127 40	£8.50

All blades sold as a pair
All prices are exclusive of VAT

