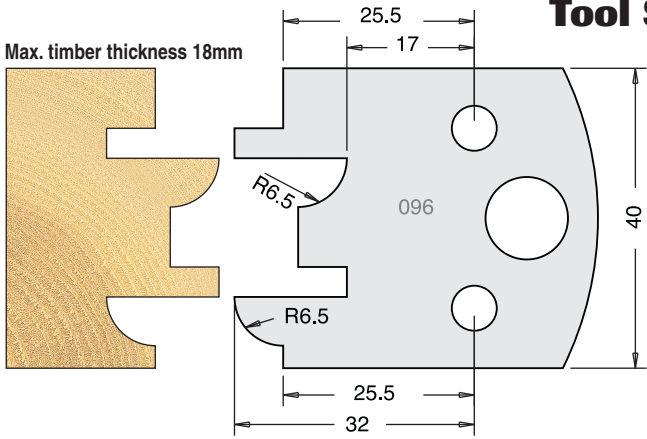
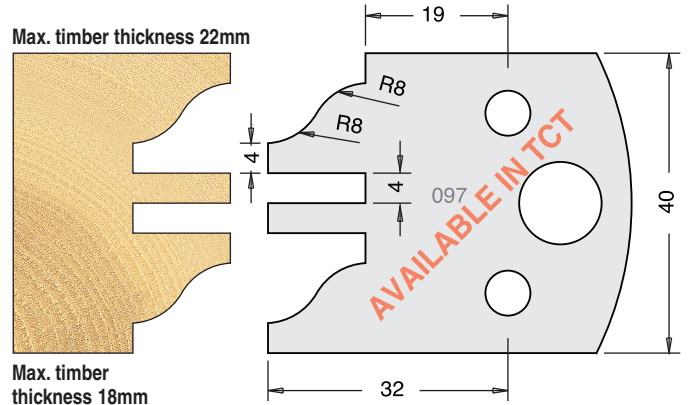


All drawings are actual size  
Profile drawing shows back of knife

### Tool Steel Multi Profile Cutters - 40x4mm

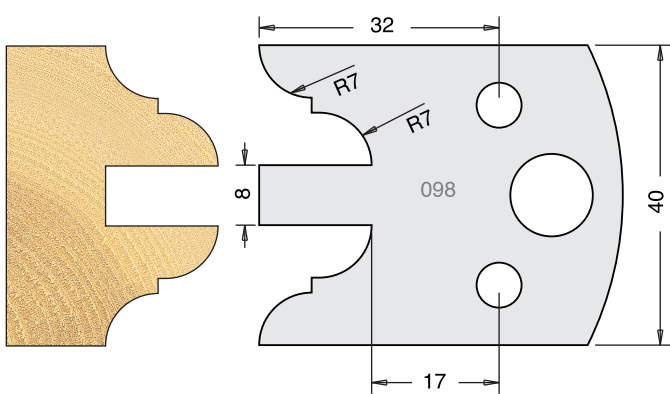


Knives	IT/33 096 40	£9.00			
Limitors	IT/34 096 40	£8.50			

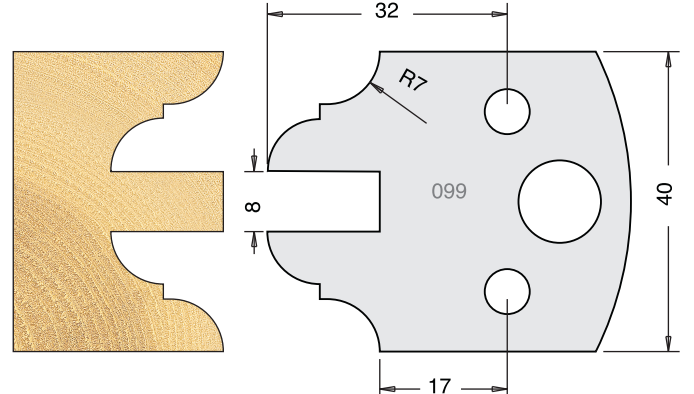


Max. timber thickness 18mm

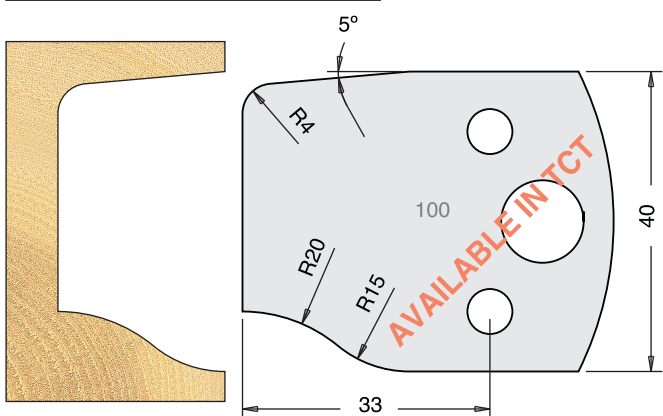
Knives	IT/33 097 40	£9.00	TCT	IT/33 097 42	£38.30
Limitors	IT/34 097 40	£8.50			



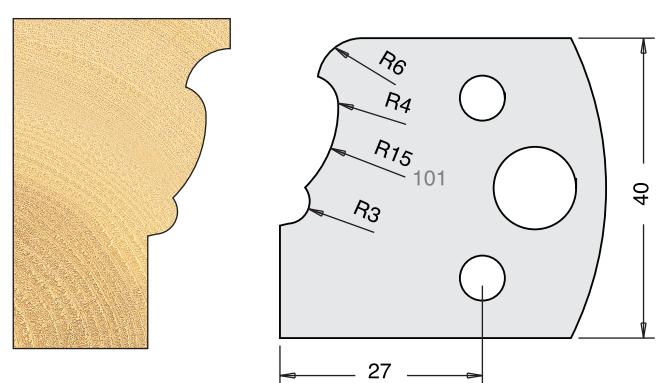
Knives	IT/33 098 40	£9.00			
Limitors	IT/34 098 40	£8.50			



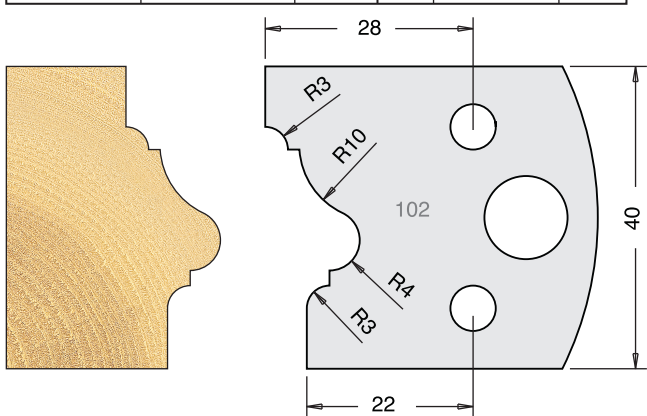
Knives	IT/33 099 40	£9.00			
Limitors	IT/34 099 40	£8.50			



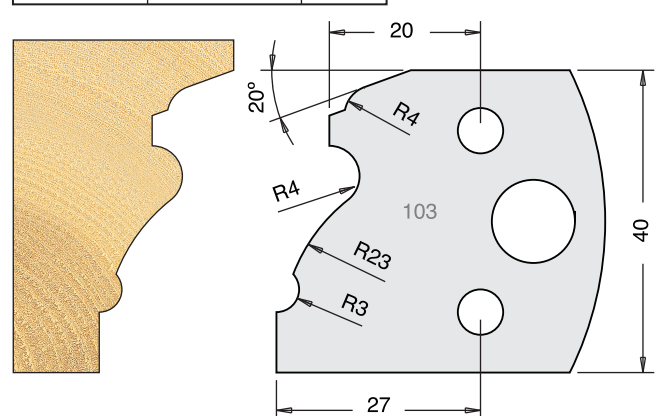
Knives	IT/33 100 40	£9.00	TCT	IT/33 100 42	£32.40
Limitors	IT/34 100 40	£8.50			



Knives	IT/33 101 40	£9.00			
Limitors	IT/34 101 40	£8.50			



Knives	IT/33 102 40	£9.00			
Limitors	IT/34 102 40	£8.50			



Knives	IT/33 103 40	£9.00			
Limitors	IT/34 103 40	£8.50			

All blades sold as a pair  
All prices are exclusive of VAT