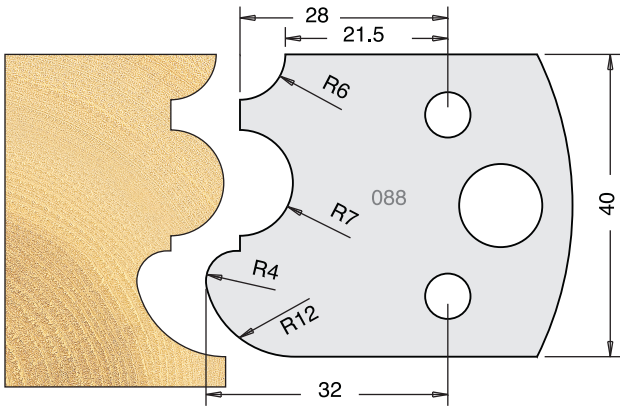
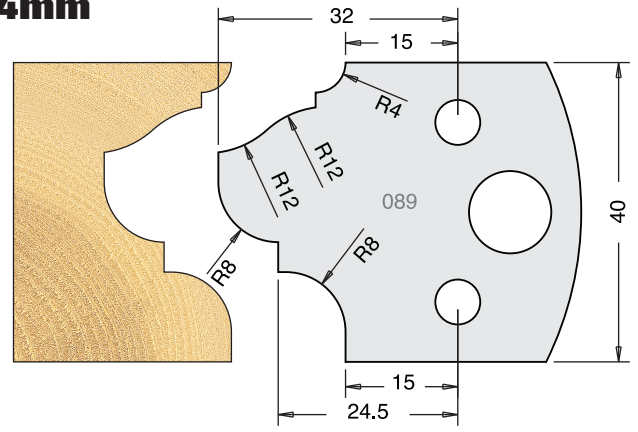


All drawings are actual size
Profile drawing shows back of knife

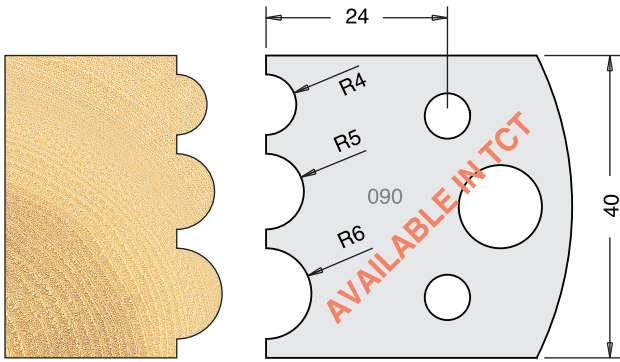
Tool Steel Multi Profile Cutters - 40x4mm



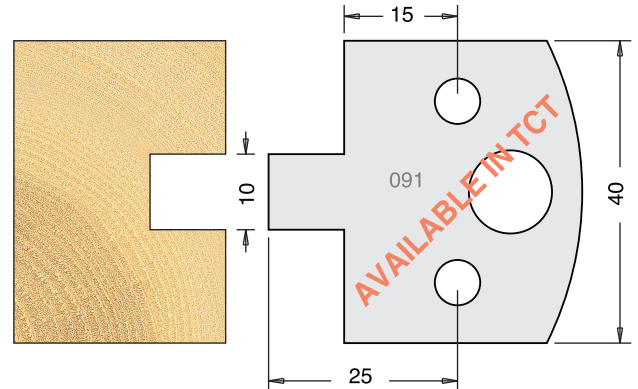
Knives	IT/33 088 40	£9.00
Limitors	IT/34 088 40	£8.50



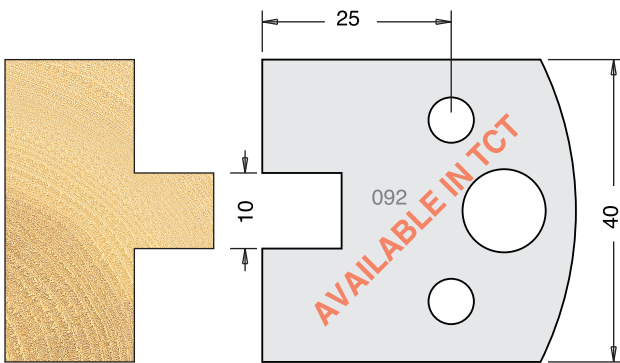
Knives	IT/33 089 40	£9.00
Limitors	IT/34 089 40	£8.50



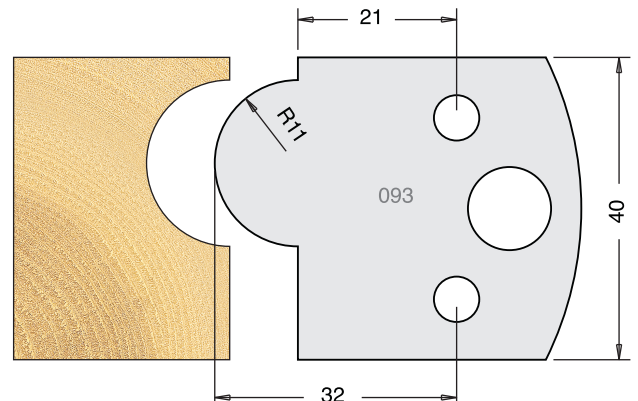
Knives	IT/33 090 40	£9.00	TCT	IT/33 090 42	£38.30
Limitors	IT/34 090 40	£8.50			



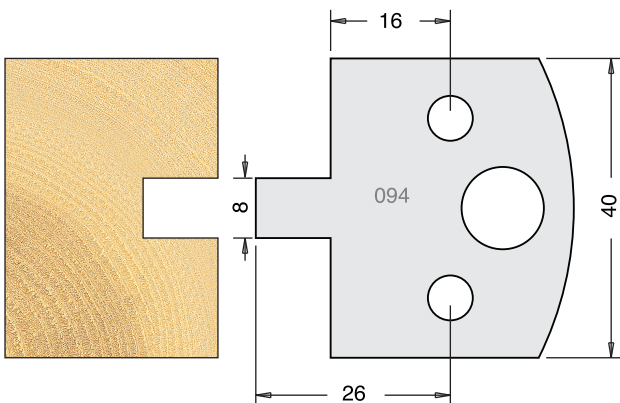
Knives	IT/33 091 40	£9.00	TCT	IT/33 091 42	£38.30
Limitors	IT/34 091 40	£8.50			



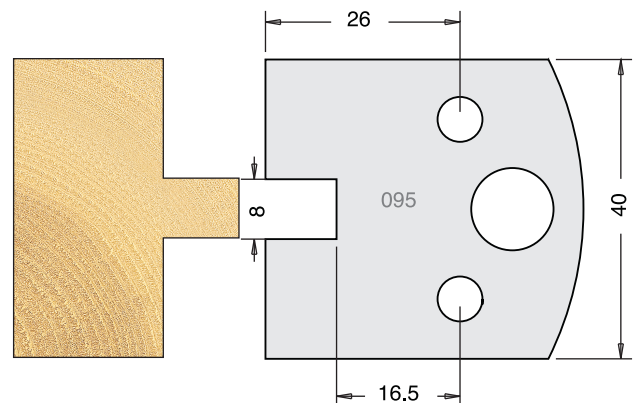
Knives	IT/33 092 40	£9.00	TCT	IT/33 092 42	£38.30
Limitors	IT/34 092 40	£8.50			



Knives	IT/33 093 40	£9.00
Limitors	IT/34 093 40	£8.50



Knives	IT/33 094 40	£9.00
Limitors	IT/34 094 40	£8.50



Knives	IT/33 095 40	£9.00
Limitors	IT/34 095 40	£8.50

All blades sold as a pair
All prices are exclusive of VAT

