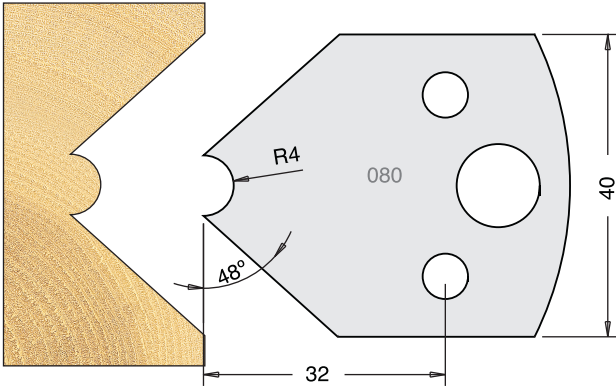
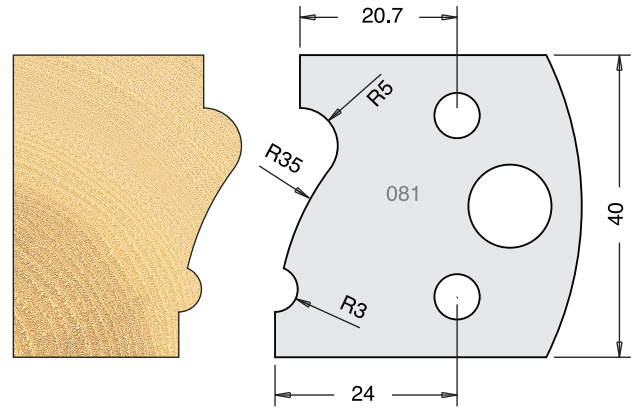


All drawings are actual size
Profile drawing shows back of knife

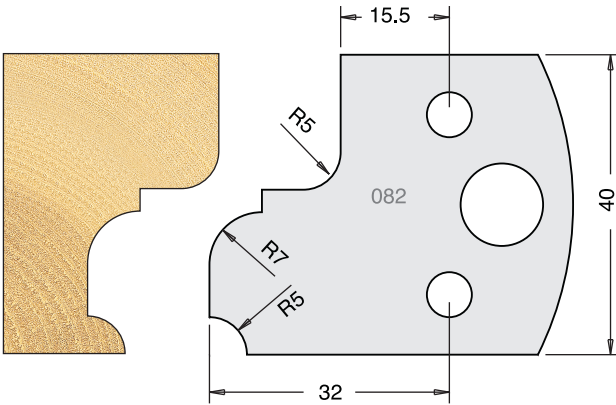
Tool Steel Multi Profile Cutters - 40x4mm



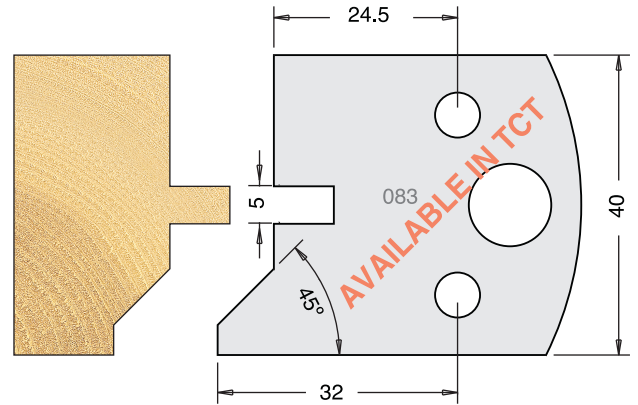
Knives	IT/33 080 40	£9.00
Limitors	IT/34 080 40	£8.50



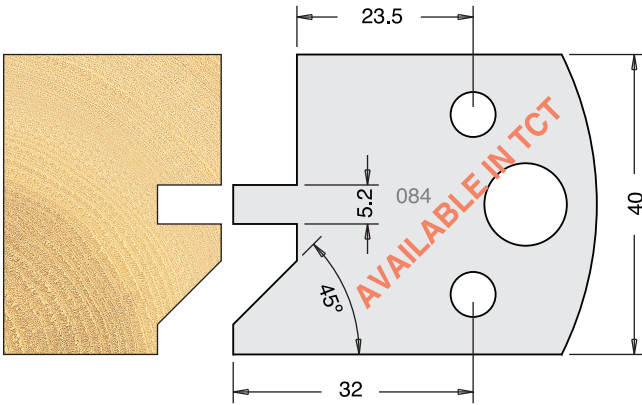
Knives	IT/33 081 40	£9.00
Limitors	IT/34 081 40	£8.50



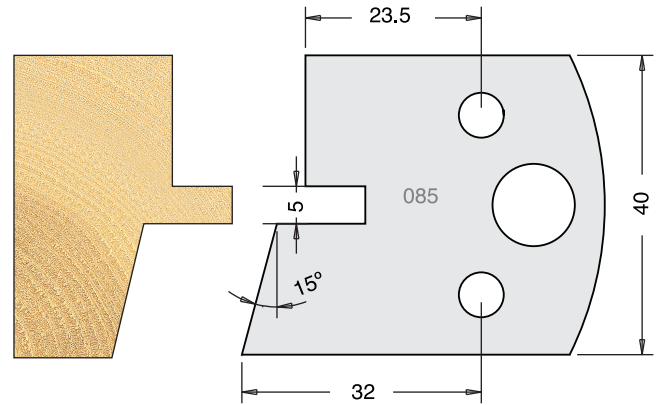
Knives	IT/33 082 40	£9.00
Limitors	IT/34 082 40	£8.50



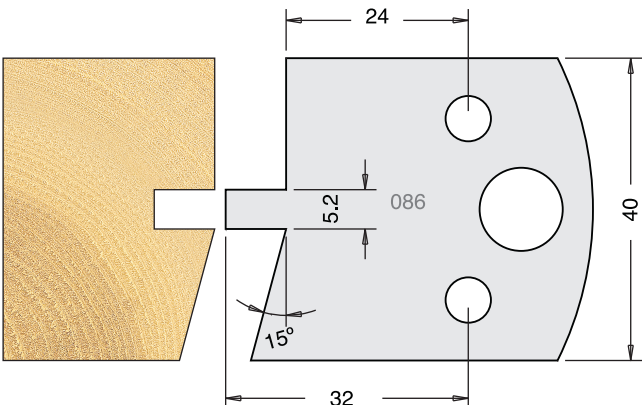
Knives	IT/33 083 40	£9.00	TCT	IT/33 083 42	£38.30
Limitors	IT/34 083 40	£8.50			



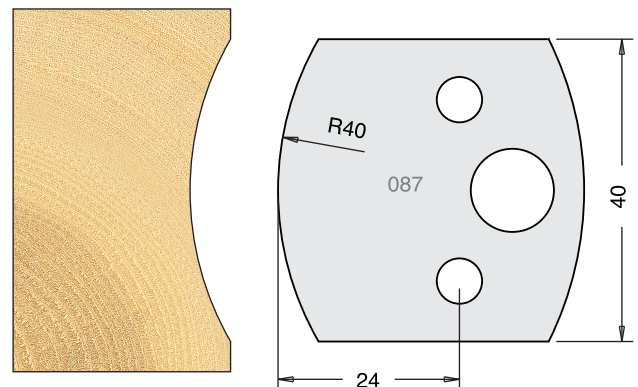
Knives	IT/33 084 40	£9.00	TCT	IT/33 084 42	£38.30
Limitors	IT/34 084 40	£8.50			



Knives	IT/33 085 40	£9.00
Limitors	IT/34 085 40	£8.50



Knives	IT/33 086 40	£9.00
Limitors	IT/34 086 40	£8.50



Knives	IT/33 087 40	£9.00
Limitors	IT/34 087 40	£8.50

All blades sold as a pair
All prices are exclusive of VAT