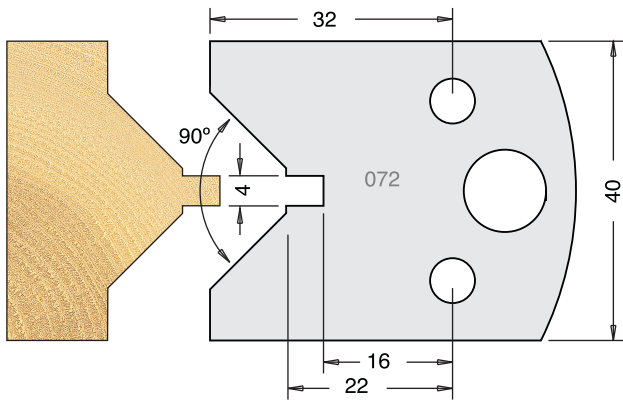
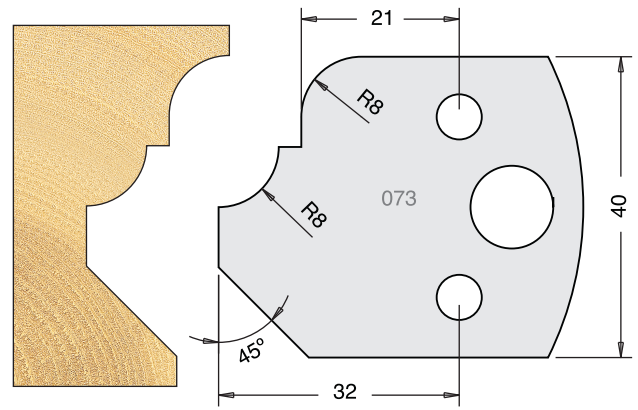


All drawings are actual size
Profile drawing shows back of knife

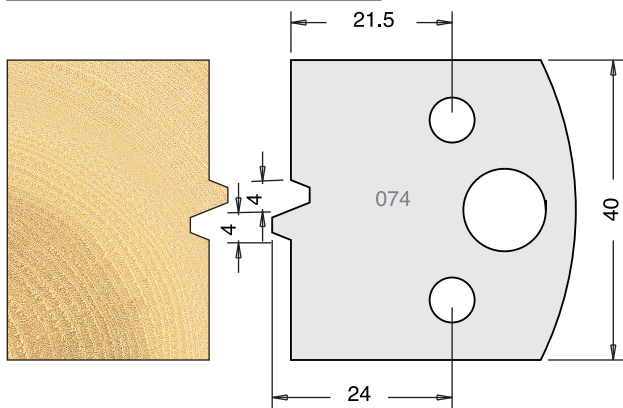
Tool Steel Multi Profile Cutters - 40x4mm



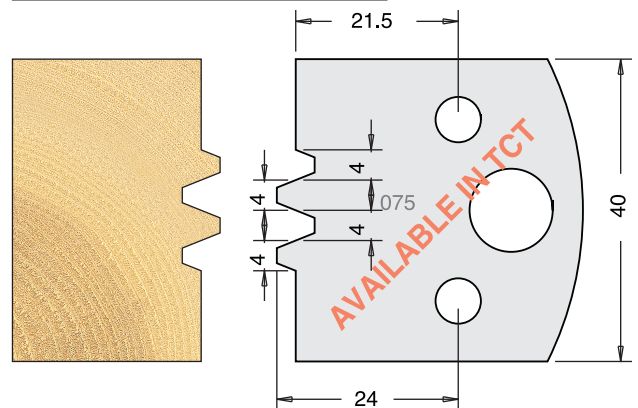
Knives	IT/33 072 40	£9.00
Limitors	IT/34 072 40	£8.50



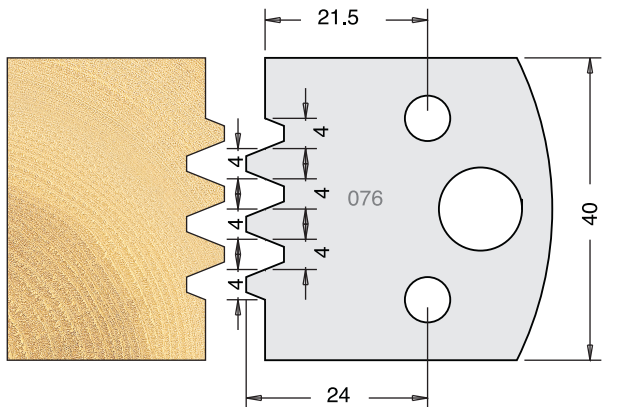
Knives	IT/33 073 40	£9.00
Limitors	IT/34 073 40	£8.50



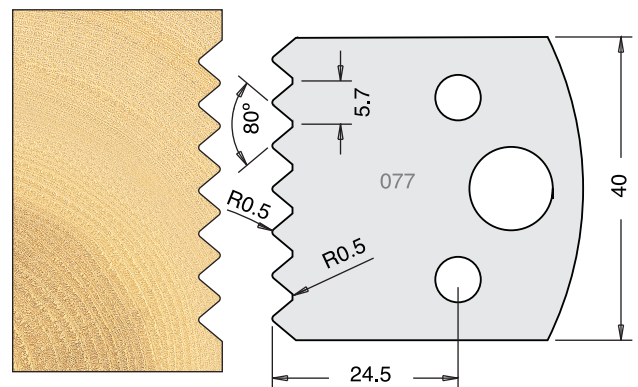
Knives	IT/33 074 40	£9.00
Limitors	IT/34 074 40	£8.50



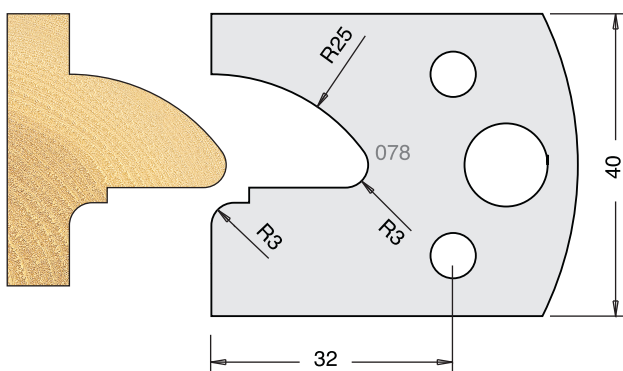
Knives	IT/33 075 40	£9.00	TCT	IT/33 075 42	£38.30
Limitors	IT/34 075 40	£8.50			



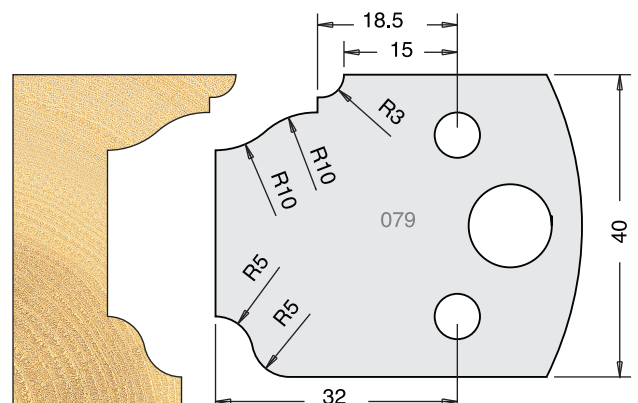
Knives	IT/33 076 40	£9.00
Limitors	IT/34 076 40	£8.50



Knives	IT/33 077 40	£9.00
Limitors	IT/34 077 40	£8.50



Knives	IT/33 078 40	£9.00
Limitors	IT/34 078 40	£8.50



Knives	IT/33 079 40	£9.00
Limitors	IT/34 079 40	£8.50

All blades sold as a pair
All prices are exclusive of VAT

