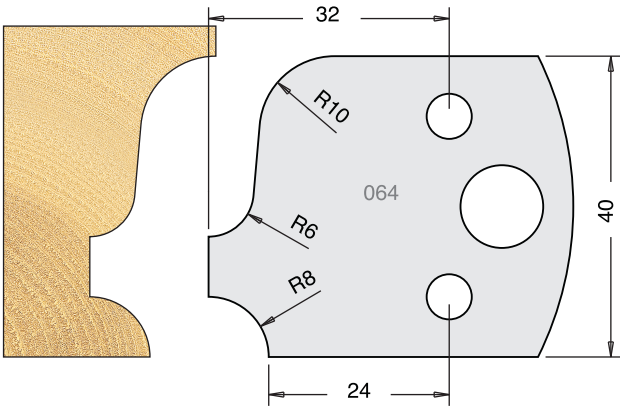
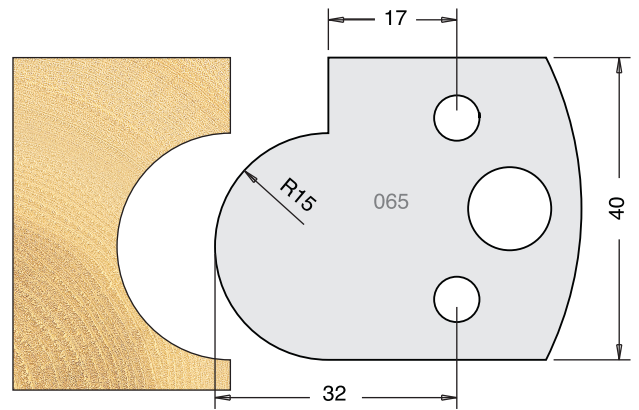


All drawings are actual size
Profile drawing shows back of knife

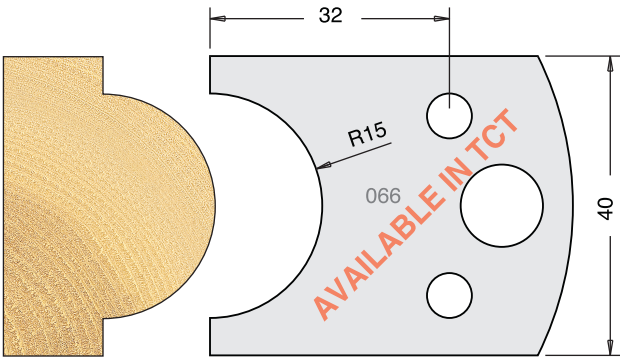
Tool Steel Multi Profile Cutters - 40x4mm



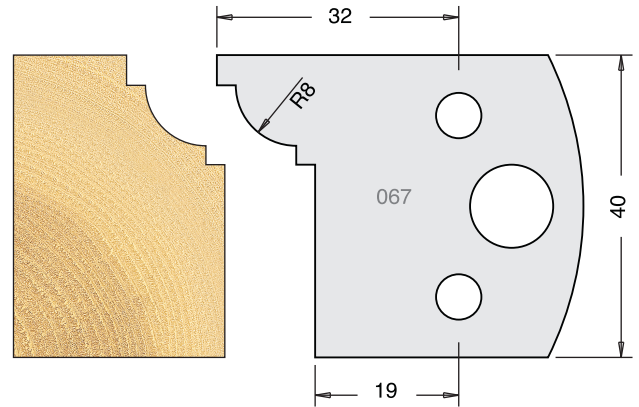
Knives	IT/33 064 40	£9.00
Limitors	IT/34 064 40	£8.50



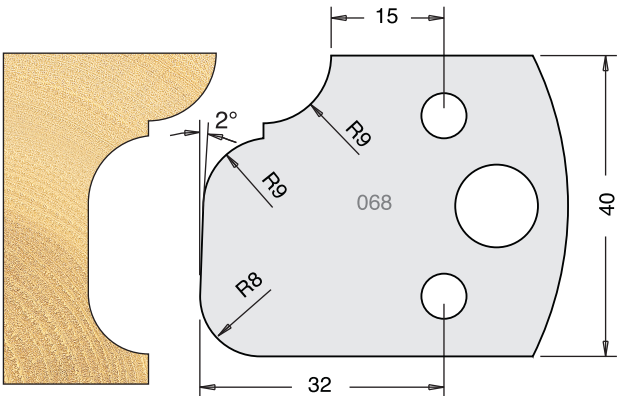
Knives	IT/33 065 40	£9.00
Limitors	IT/34 065 40	£8.50



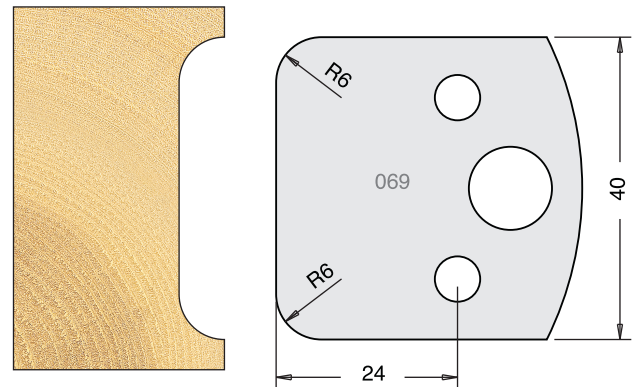
Knives	IT/33 066 40	£9.00	TCT	IT/33 066 42	£32.40
Limitors	IT/34 066 40	£8.50			



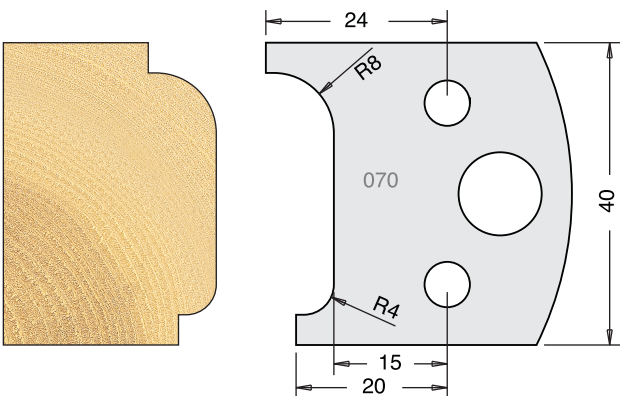
Knives	IT/33 067 40	£9.00
Limitors	IT/34 067 40	£8.50



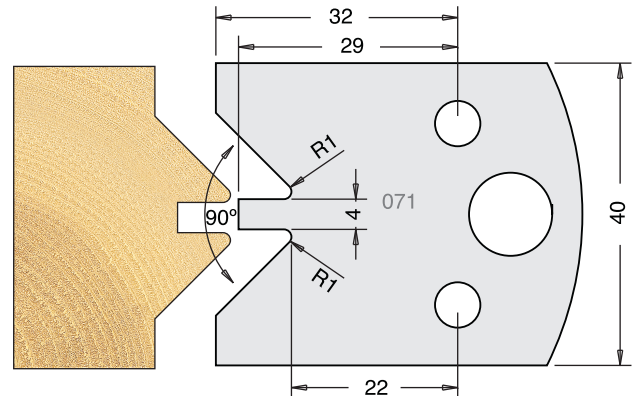
Knives	IT/33 068 40	£9.00
Limitors	IT/34 068 40	£8.50



Knives	IT/33 069 40	£9.00
Limitors	IT/34 069 40	£8.50



Knives	IT/33 070 40	£9.00
Limitors	IT/34 070 40	£8.50



Knives	IT/33 071 40	£9.00
Limitors	IT/34 071 40	£8.50

All blades sold as a pair
All prices are exclusive of VAT