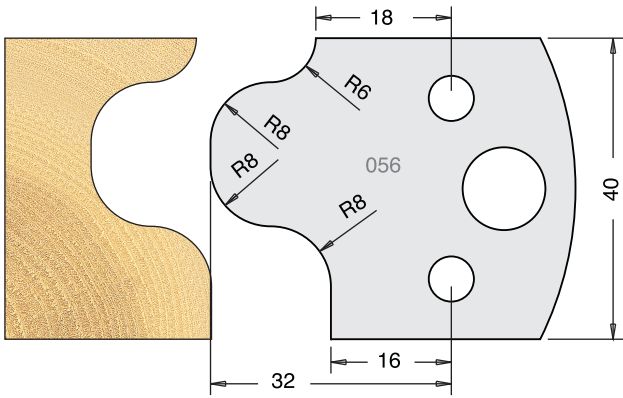
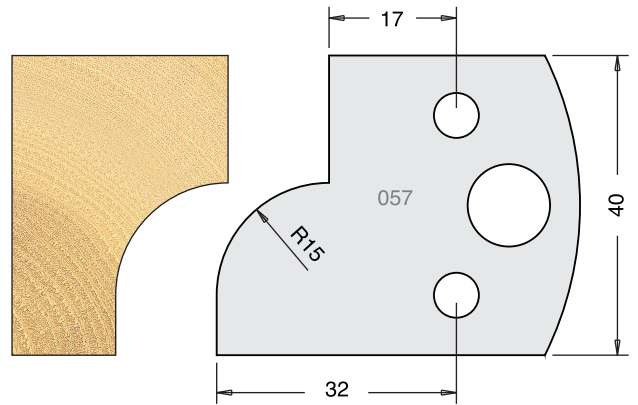


All drawings are actual size  
Profile drawing shows back of knife

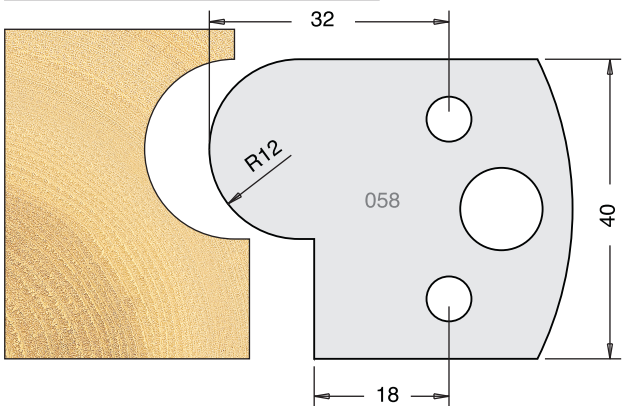
## Tool Steel Multi Profile Cutters - 40x4mm



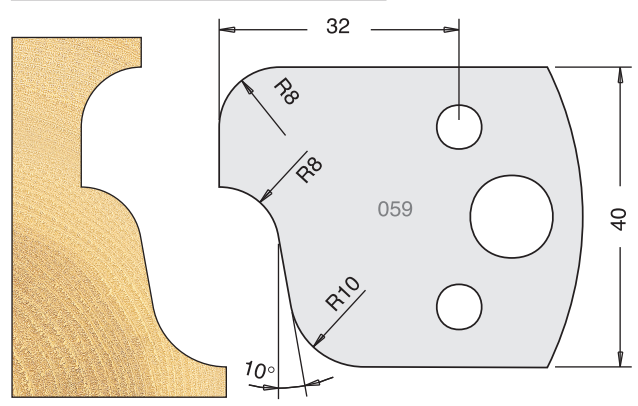
Knives	IT/33 056 40	£9.00
Limitors	IT/34 056 40	£8.50



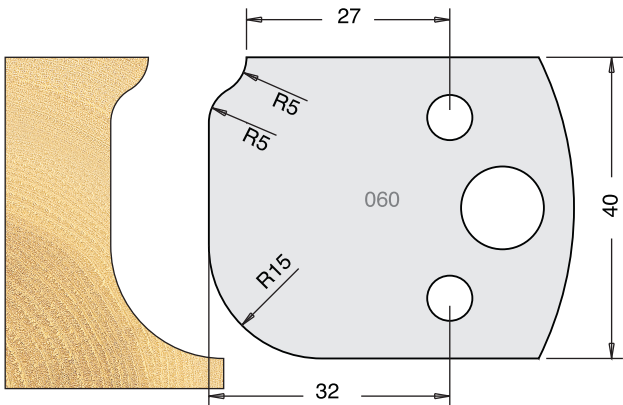
Knives	IT/33 057 40	£9.00
Limitors	IT/34 057 40	£8.50



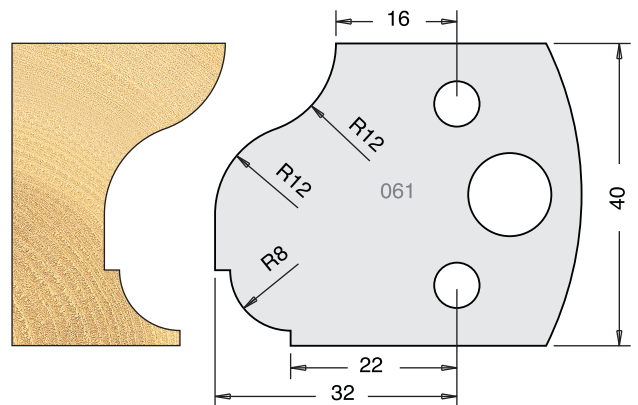
Knives	IT/33 058 40	£9.00
Limitors	IT/34 058 40	£8.50



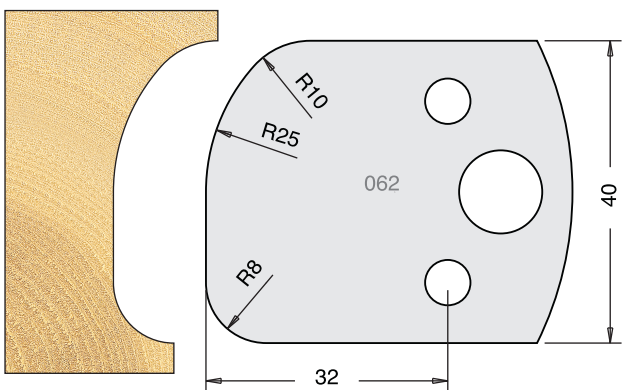
Knives	IT/33 059 40	£9.00
Limitors	IT/34 059 40	£8.50



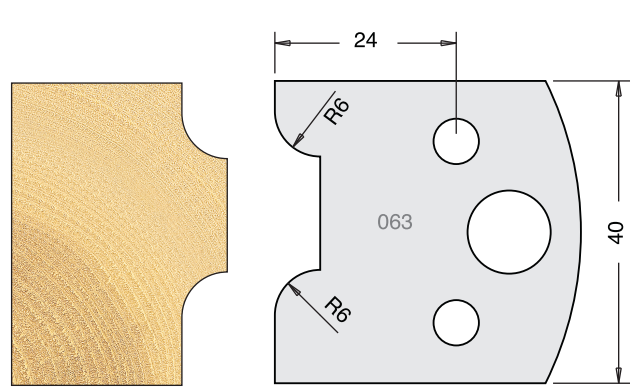
Knives	IT/33 060 40	£9.00
Limitors	IT/34 060 40	£8.50



Knives	IT/33 061 40	£9.00
Limitors	IT/34 061 40	£8.50



Knives	IT/33 062 40	£9.00
Limitors	IT/34 062 40	£8.50



Knives	IT/33 063 40	£9.00
Limitors	IT/34 063 40	£8.50

All blades sold as a pair  
All prices are exclusive of VAT

