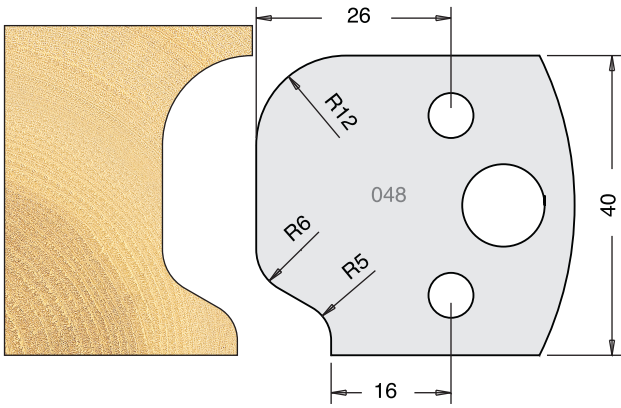
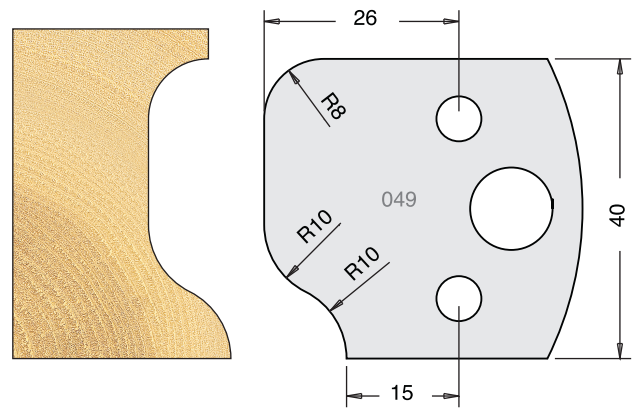


All drawings are actual size
Profile drawing shows back of knife

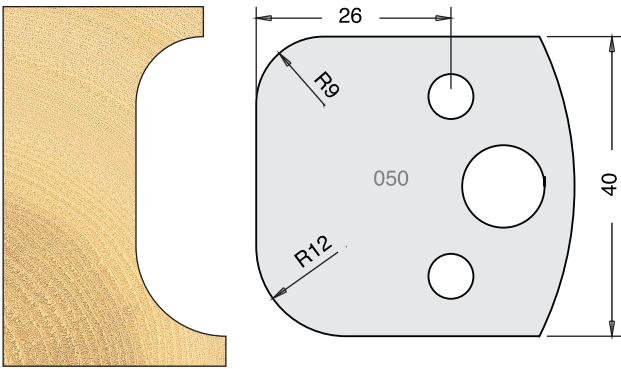
Tool Steel Multi Profile Cutters - 40x4mm



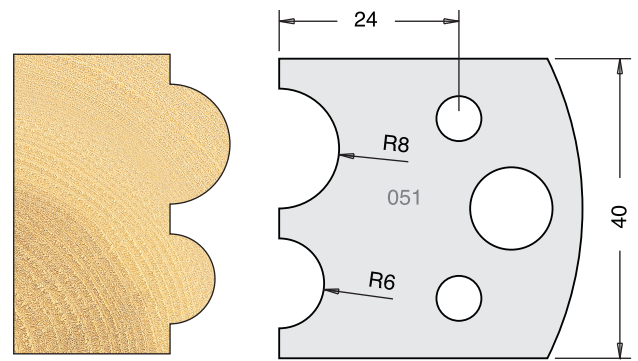
Knives	IT/33 048 40	£9.00
Limitors	IT/34 048 40	£8.50



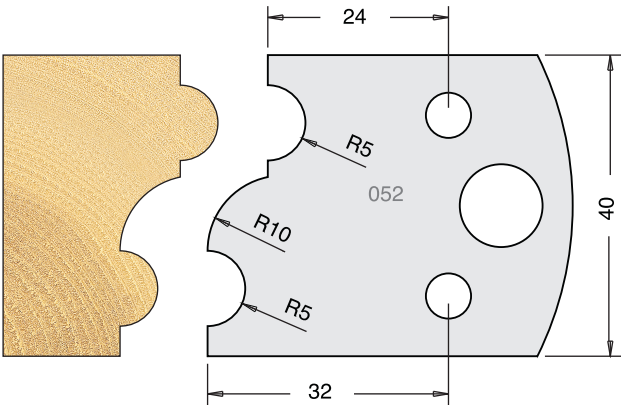
Knives	IT/33 049 40	£9.00
Limitors	IT/34 049 40	£8.50



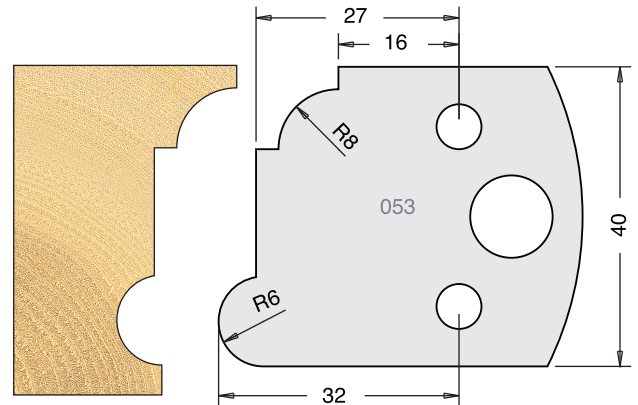
Knives	IT/33 050 40	£9.00
Limitors	IT/34 050 40	£8.50



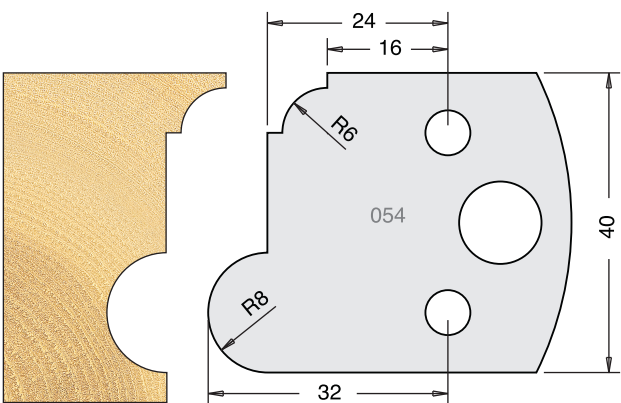
Knives	IT/33 051 40	£9.00
Limitors	IT/34 051 40	£8.50



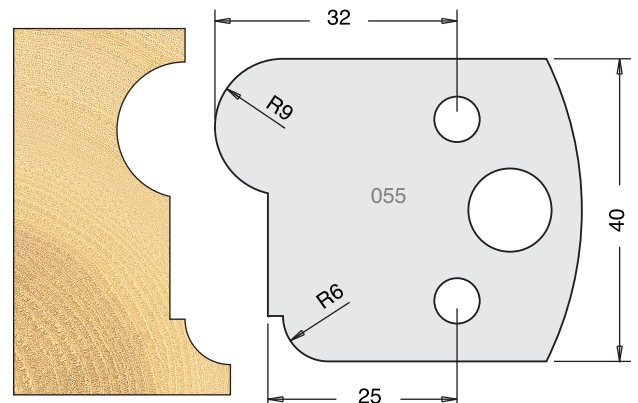
Knives	IT/33 052 40	£9.00
Limitors	IT/34 052 40	£8.50



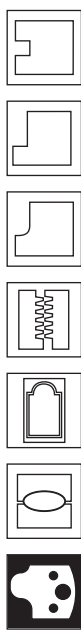
Knives	IT/33 053 40	£9.00
Limitors	IT/34 053 40	£8.50



Knives	IT/33 054 40	£9.00
Limitors	IT/34 054 40	£8.50



Knives	IT/33 055 40	£9.00
Limitors	IT/34 055 40	£8.50



All blades sold as a pair
All prices are exclusive of VAT