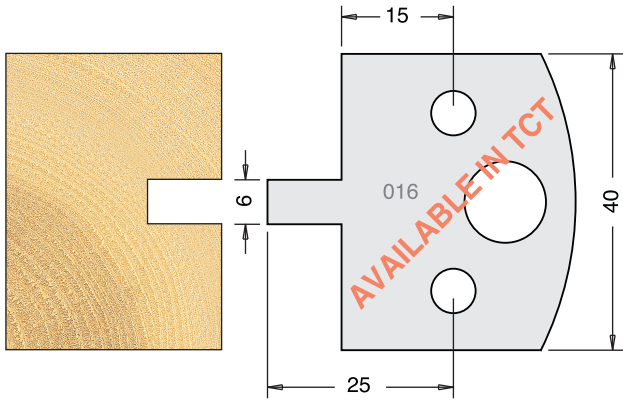
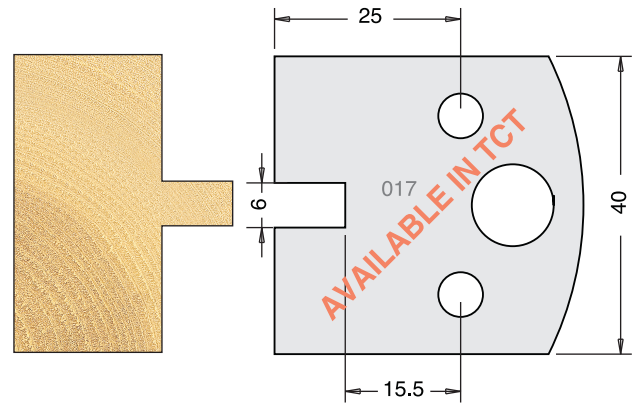


All drawings are actual size
Profile drawing shows back of knife

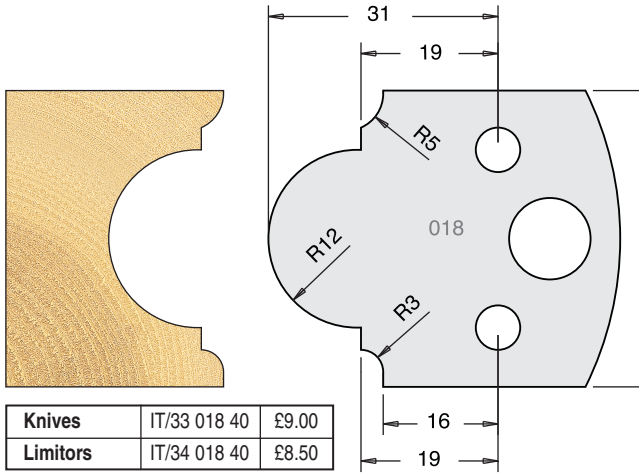
Tool Steel Multi Profile Cutters - 40x4mm



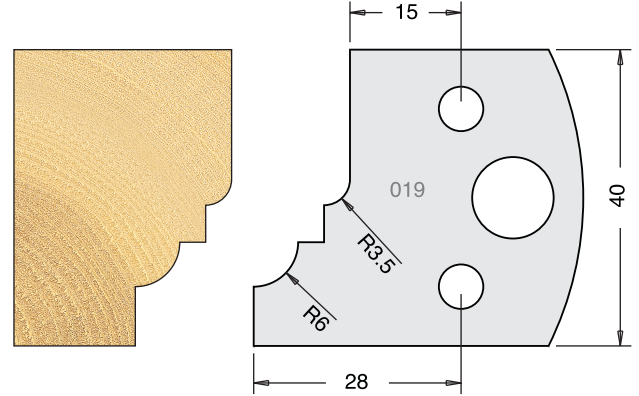
Knives	IT/33 016 40	£9.00	TCT	IT/33 016 42	£38.30
Limitors	IT/34 016 40	£8.50			



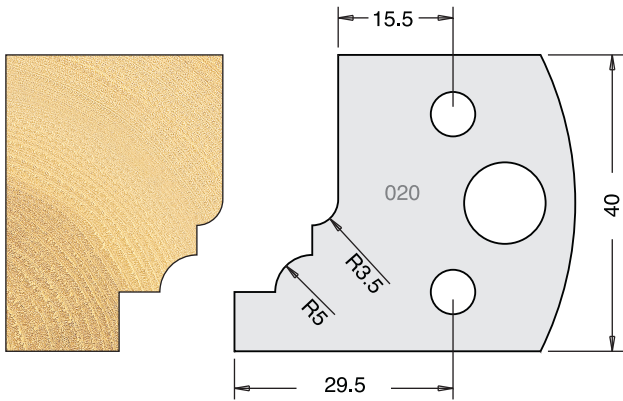
Knives	IT/33 017 40	£9.00	TCT	IT/33 017 42	£38.30
Limitors	IT/34 017 40	£8.50			



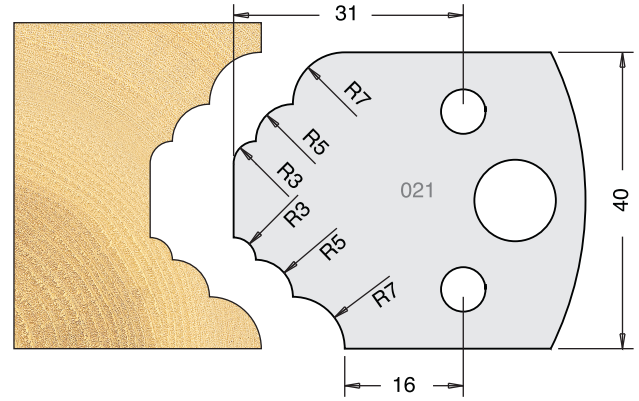
Knives	IT/33 018 40	£9.00
Limitors	IT/34 018 40	£8.50



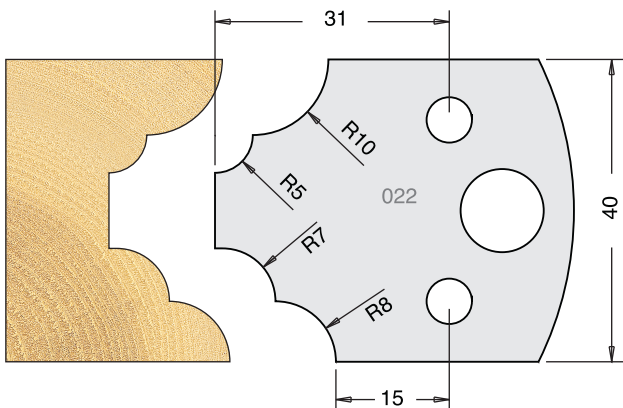
Knives	IT/33 019 40	£9.00
Limitors	IT/34 019 40	£8.50



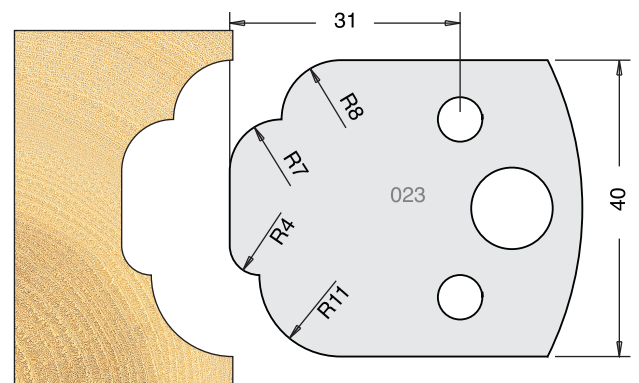
Knives	IT/33 020 40	£9.00
Limitors	IT/34 020 40	£8.50



Knives	IT/33 021 40	£9.00
Limitors	IT/34 021 40	£8.50



Knives	IT/33 022 40	£9.00
Limitors	IT/34 022 40	£8.50



Knives	IT/33 023 40	£9.00
Limitors	IT/34 023 40	£8.50

All blades sold as a pair
All prices are exclusive of VAT