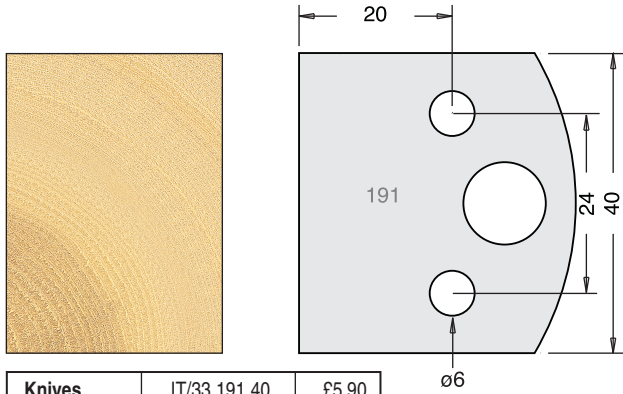
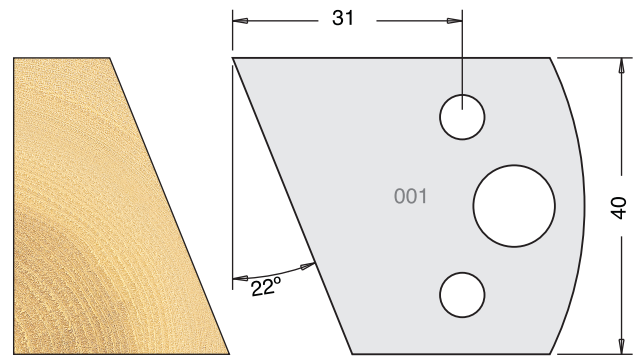


All drawings are actual size  
Profile drawing shows back of knife

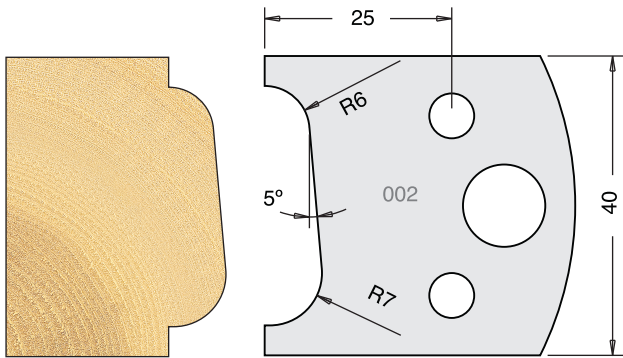
### Tool Steel Multi Profile Cutters - 40x4mm



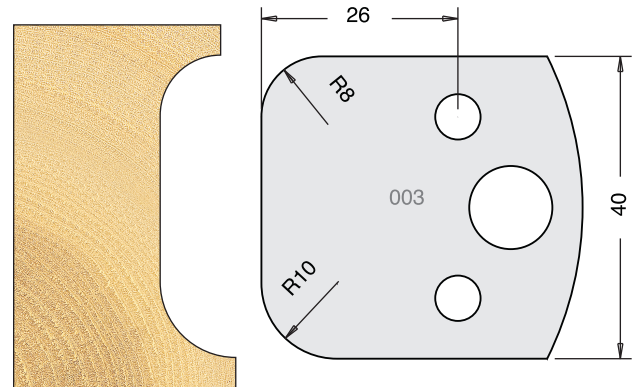
Knives	IT/33 191 40	£5.90
Limitors	IT/34 191 40	£4.50



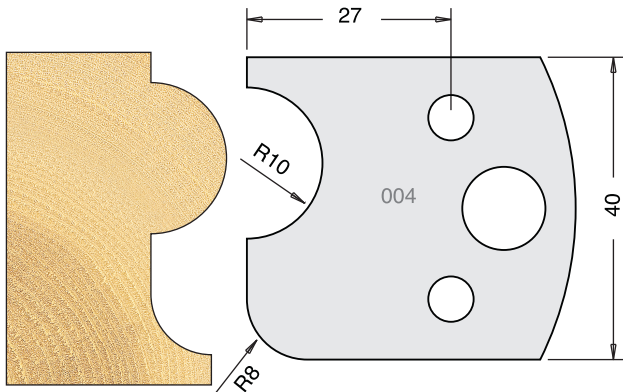
Knives	IT/33 001 40	£9.00
Limitors	IT/34 001 40	£8.50



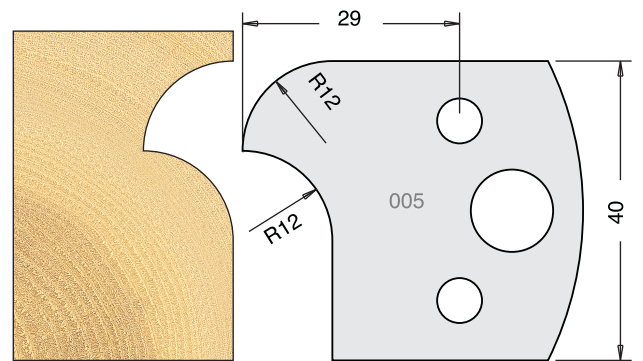
Knives	IT/33 002 40	£9.00
Limitors	IT/34 002 40	£8.50



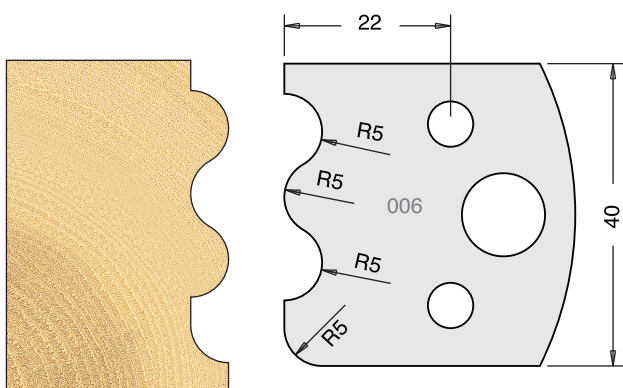
Knives	IT/33 003 40	£9.00
Limitors	IT/34 003 40	£8.50



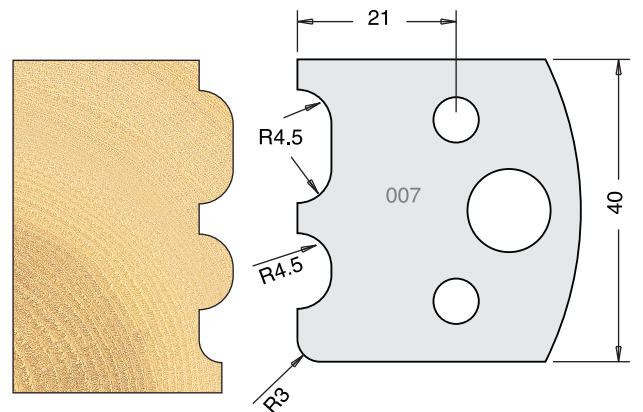
Knives	IT/33 004 40	£9.00
Limitors	IT/34 004 40	£8.50



Knives	IT/33 005 40	£9.00
Limitors	IT/34 005 40	£8.50



Knives	IT/33 006 40	£9.00
Limitors	IT/34 006 40	£8.50



Knives	IT/33 007 40	£9.00
Limitors	IT/34 007 40	£8.50

All blades sold as a pair  
All prices are exclusive of VAT