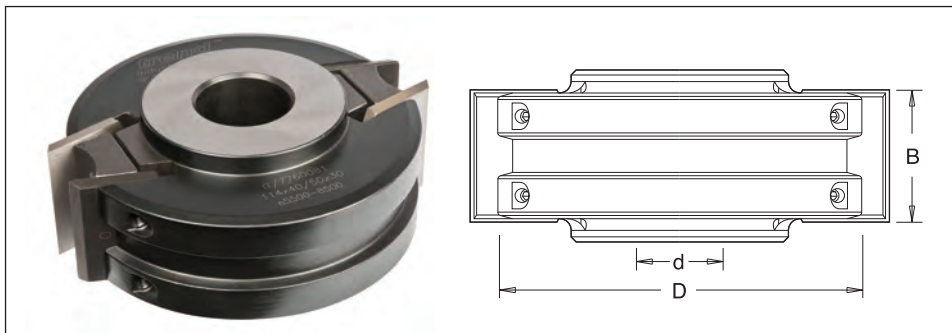
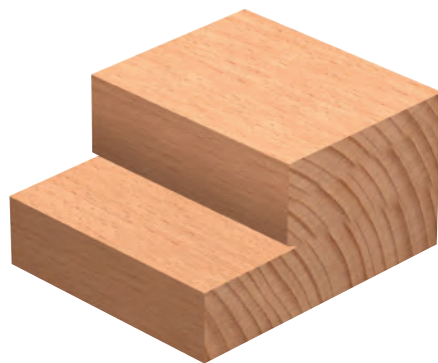


## Multi Profile Cutter Blocks

- Hard wearing steel and alloy (100mm diameter) body complete with two tool steel rebate knives and limiter plates.
- Suitable for jointing, rebating and profiling with 4mm thick knives and limitors in un-bonded softwood and hardwood boards on a spindle moulder.
- 14 profiles available in TCT suitable for abrasive hardwoods and man made board.
- Over one hundred and fifty 40mm and seventy 50mm profiles and limitors available from stock.
- 114mm diameter cutter block suitable for 40mm and 50mm knives and limitors.
- Suitable for Hand Feeding (MAN).



### Recommended RPM (n):

78mm dia.	7,000 – 9,000
93mm dia.	6,000 – 9,000
100mm dia.	5,500 – 8,400
120mm dia.	5,100 – 8,000
114mm dia.	5,500 – 8,500



Hand Feed

D	B	z	30mm Bore d	1 1/4" Bore d	Stock	Price
78	40	2	IT/776 010 1	-	Y	£95.03
93	40	2	IT/776 006 1	IT/776 006 7	Y	£61.85
100	40	2	IT/776 020 1*	IT/776 010 7*	Y	£72.77
120	40	2	IT/776 007 1	IT/776 007 7	Y	£72.77
114	40/50	2	IT/776 008 1**	IT/776 008 7**	Y	£72.77

\*Alloy Body

\*\*Suitable for 40mm and 50mm profile knives/limitor plates.

### Cutter Diameter with Mounted Rebate Knives

Cutter Head Diameter	Diameter with Rebate Knives
78mm	90mm
93mm	105mm
100mm	112mm
114mm	128mm
120mm	132mm

## Empty Wooden Storage Boxes for 40mm Knives, Limitors and Cutter Blocks

- Empty wooden storage box suitable for cutter blocks listed above and 40mm profile knives and limitors shown on the following pages.
- Allows you to create your own sets.



Tools not included

Max Dia. of Cutterhead	Box Size	Max. no. of Knives/Limitors	Product Ref.	Stock	Price
93	125x220x60	12 Pairs	IT/600 106 0	Y	£17.54
114	155x240x60	12 Pairs	IT/600 106 1	Y	£23.10
130	195x265x60	24 Pairs	IT/600 106 2	Y	£26.99

### Key

**Spare Knives and Scorers** - Product Reference ending in /10 are sold in packs of ten

**Stock** - Y means normally kept in stock for next day delivery.

N means not normally held in stock, delivery in a short time.