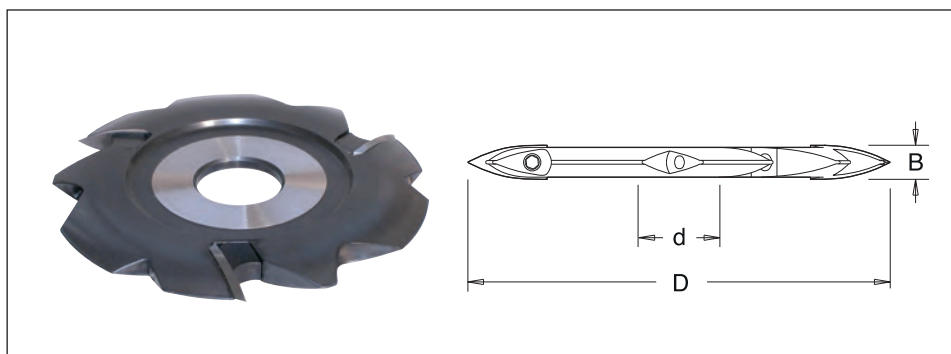
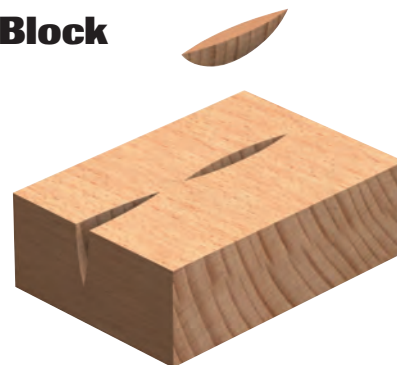


Lamello® Disposable Insert Resin Pocket Cutter Block

- Hard wearing steel body complete with disposable Tungsten Carbide knives (z).
- Suitable for producing the slot in softwood and hardwood boards to take the No.2 wooden patches used in the Lamello® Minispot machine.
- Constant diameter and groove width through disposable tips. More cost effective than standard tipped cutter.
- Recommended RPM (n): 7,600 – 13,400.
- Suitable for Hand Feeding (MAN).



Hand Feed



EN847-1/2

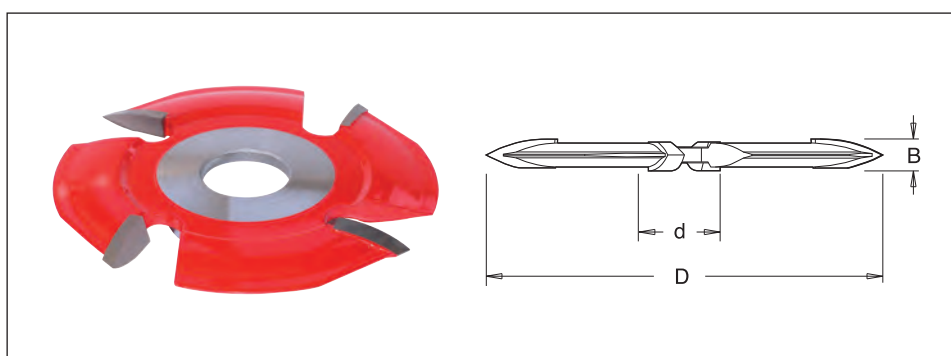
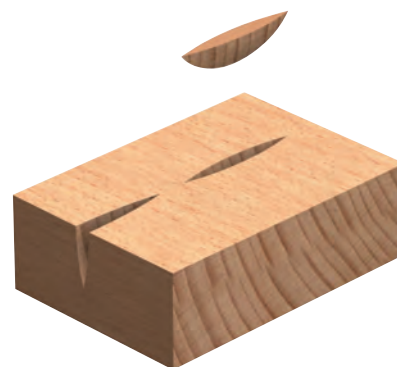
D	B	z	22mm Bore d	Stock	Price
100	8	3	IT/721 025 4	Y	£189.53

Spare Knife

Description	T.C. Blade
Product Ref.	IT/310 858 2
Size	8x20x2
Price	£20.00

Lamello® Resin Pocket Cutter Block

- Hard wearing steel body complete with Tungsten Carbide tips (z).
- Suitable for producing the slot in softwood and hardwood boards to take the No.2 wooden patches used in the Lamello® Minispot machine.
- 15mm wide cutter block also available for No.4 wooden patches.
- Recommended RPM (n): 7,600 - 13,400.
- Suitable for Hand Feeding (MAN).



Hand Feed

D	B	z	Minispot Patch Size	22mm Bore d	Stock	Price
100	8	4	No. 2	IT/707 520 4	Y	£71.82
100	15	4	No. 4	IT/707 525 4	Y	£99.00

Key

Spare Knives and Scorers - Product Reference ending in /10 are sold in packs of ten

Stock - Y means normally kept in stock for next day delivery.

N means not normally held in stock, delivery in a short time.