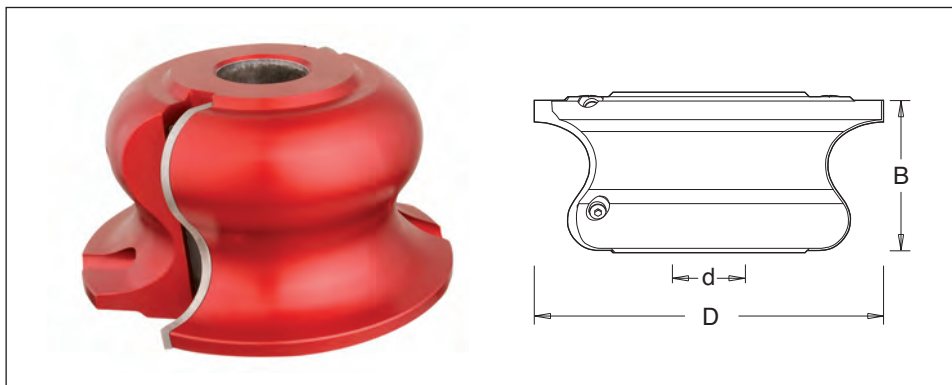
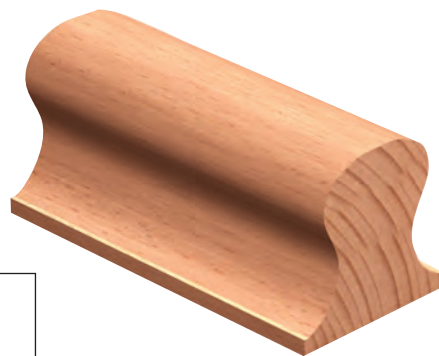


Disposable Insert Handrail Cutter Blocks

- Hard wearing alloy body complete with disposable Tungsten Carbide knives (z).
- Suitable for producing handrail profiles for stairs and banisters in softwood and hardwood on a spindle moulder.
- Other profile shapes are available to special order.
- Recommended RPM (n): 130mm diameter 5,800 – 7,700. 160mm diameter 4,700 – 7,200.
- Suitable for Hand Feeding (MAN).



Hand Feed

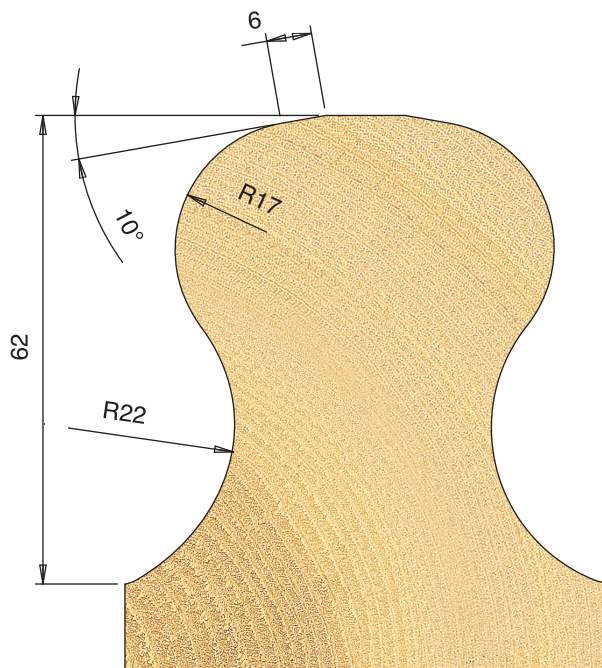


EN847-1/2

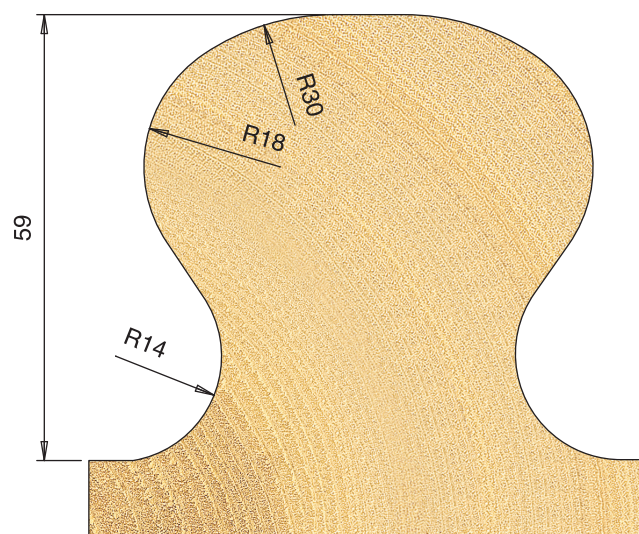
D	Profile	z	B	30mm Bore	1 1/4" Bore	Stock	Price
130	A	2	73	IT/752 510 1	IT/752 510 7	Y	£242.45
160	B	2	73	IT/752 515 1	IT/752 515 7	Y	£292.01

Spare Knives

Description	T.C. Blade	
Product Ref.	IT/310 887 0	IT/310 887 1
Size	69.5x33.5x2 Profile A	70x34x2 Profile B
Price	£44.00	£49.50



Profile A



Profile B

Key

Spare Knives and Scorers - Product Reference ending in /10 are sold in packs of ten

Stock - Y means normally kept in stock for next day delivery.

N means not normally held in stock, delivery in a short time.