

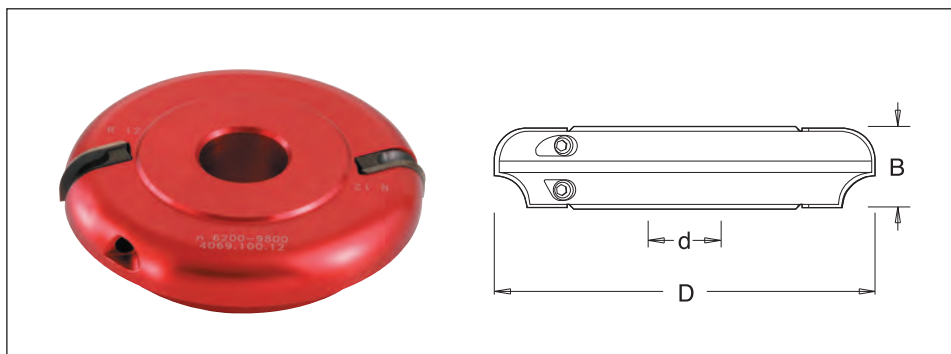
## Disposable Insert Beading Cutter Blocks

- Hard wearing alloy body complete with disposable Tungsten Carbide knives (z).
- Suitable for rounding over and producing matching cove joints in softwood, hardwood and man-made boards on a spindle moulder.
- Can be used with a 100mm diameter ball bearing guide ring for ring fence work. See page 89.
- Suitable for Hand Feeding (MAN).



### Recommended RPM (n):

106mm dia.	_____	7,300 – 10,100
110mm dia.	_____	7,000 – 9,900
112mm dia.	_____	6,900 – 9,700
116mm dia.	_____	6,600 – 9,500
120mm dia.	_____	6,400 – 10,000
124mm dia.	_____	6,200 – 9,800
130mm dia.	_____	5,900 – 9,500
140mm dia.	_____	5,500 – 9,000
150mm dia.	_____	5,100 – 6,000
160mm dia.	_____	4,900 – 5,800



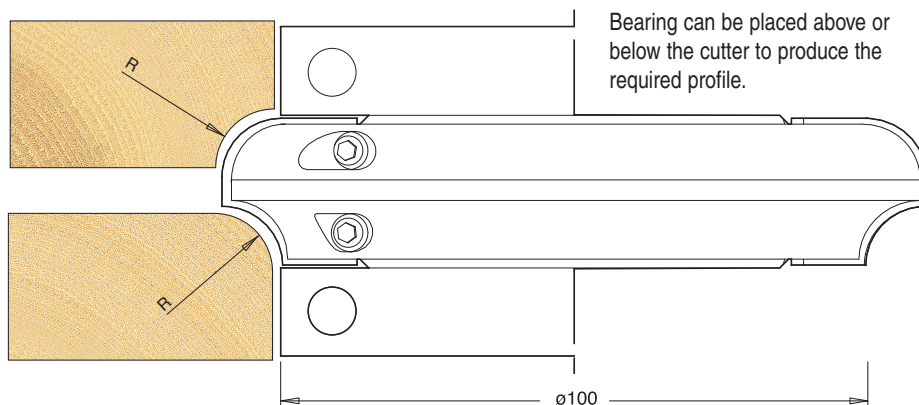
D	R	z	B	30mm Bore d	1 1/4" Bore d	Stock	Price
106	3	2	20	IT/751 103 1	IT/751 103 7	N	£125.69
110	5	2	20	IT/751 105 1	IT/751 105 7	N	£125.69
112	6	2	20	IT/751 106 1	IT/751 106 7	Y	£125.69
116	8	2	20	IT/751 108 1	IT/751 108 7	Y	£135.14
120	10	2	25	IT/751 110 1	IT/751 110 7	Y	£135.14
124	12	2	30	IT/751 112 1	IT/751 112 7	Y	£146.48
130	15	2	35	IT/751 115 1	IT/751 115 7	Y	£154.56
140	20	2	50	IT/751 120 1	IT/751 120 7	N	£188.58
150	25	2	60	IT/751 125 1	IT/751 125 7	Y	£218.30
160	30	2	80	IT/751 130 1	IT/751 130 7	N	£231.53

### Spare Knives

Description	T.C. Blade									
	R=3	R=5	R=6	R=8	R=10	R=12	R=15	R=20	R=25	R=30
Product Ref.	IT/310 894 4	IT/310 894 6	IT/310 894 7	IT/310 894 9	IT/310 895 0	IT/310 895 2	IT/310 895 3	IT/310 895 4	IT/310 895 5	IT/310 895 6
Price	£21.00	£21.00	£21.00	£24.00	£27.00	£27.50	£38.00	£41.00	£44.00	£49.00

### Ball Bearing Guide to suit R3 - R10 Cutter Blocks

Description	Ball Bearing	
Product Ref.	IT/191 540 1	IT/191 540 7
Size	100x15x30	100x15x1 1/4"
Price	£31.71	£31.71



Bearing can be placed above or below the cutter to produce the required profile.

### Key

**Spare Knives and Scorers** - Product Reference ending in /10 are sold in packs of ten

**Stock** - Y means normally kept in stock for next day delivery.

N means not normally held in stock, delivery in a short time.