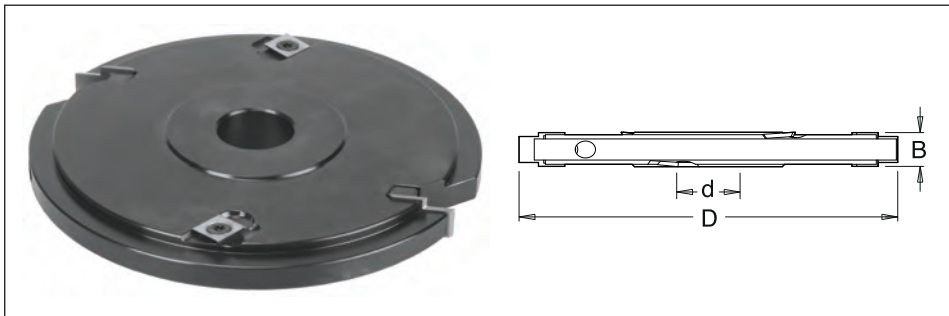
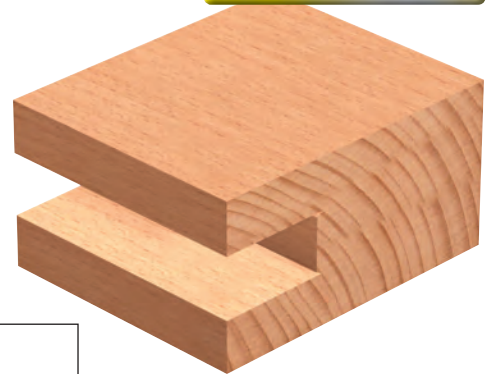


## Disposable Insert Espagnolette Grooving Cutter with Scorers

**NEW**

- Hard wearing steel body complete with disposable Tungsten Carbide knives (z) and scorers (v).
- Suitable for producing a stepped groove in a softwood or hardwood window sash to accommodate an Espagnolette lock on a spindle moulder.
- Recommended RPM (n) 4,000 – 7,500.
- Suitable for Hand Feeding (MAN).



D	B	z	v	30mm Bore d	1 1/4" Bore d	Stock	Price
180	16.3	2	4	IT/752 210 1	IT/752 210 7	Y	£197.00

### Spare Knives

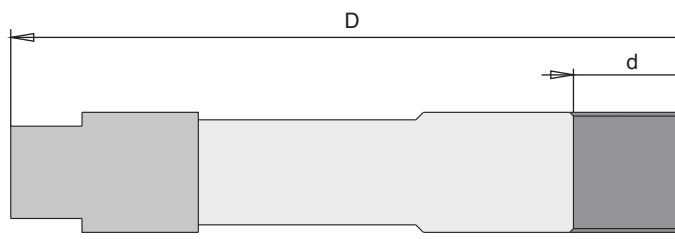
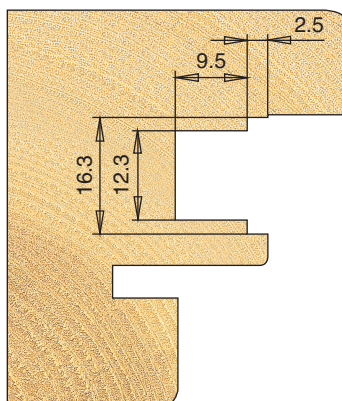
Description	T.C. Blade
Product Ref.	IT/310 814 0
Size	16x25x2 B=16.3mm
Price	£29.00

### Spare Scorers

Description	T.C. Blade
Product Ref.	IT/300 850 3/10
Size	14x14x2
Price	£20.37



**Espagnolette Lock** (please note extra groove needs to be routed to accommodate lock mechanism).



#### Key

**Spare Knives and Scorers** - Product Reference ending in /10 are sold in packs of ten  
**Stock** - Y means normally kept in stock for next day delivery.  
 N means not normally held in stock, delivery in a short time.