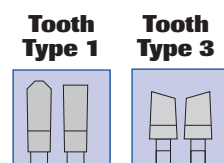
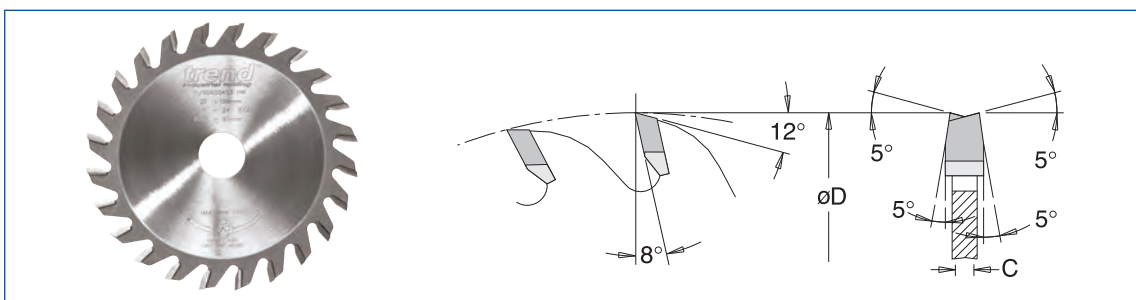


Scoring Sawblade for Panel Sizing Laminated Boards

- Suitable for sizing single or stacked boards (chipboard, MDF etc.) with laminate coating on both sides.
- Used in conjunction with the relevant main sawblade.
- Alternate bevel conical tooth.
- For use on a panel sizing machine with pressure beam.
- **T_{MAX}** quality for long lasting durability.
- Contact us for other machines not listed.



Boards & Laminated Boards



| Machine | Saw Type | OD | Teeth | Product Ref. | B | $\varnothing d$ | Pin Holes | Tooth Type | Stock | Price |
|--------------------|------------|-----|---------------|---------------|---------|--------------------|--------------------|------------|---------|---------|
| Schelling (contd.) | Main Blade | 480 | 80 | IT/955 317 76 | 4.4 | 30 | - | 1 | N | £253.00 |
| | Scorer | 200 | 36 | IT/956 026 53 | 4.4-5.3 | 20 | - | 3 | Y | £133.46 |
| | Main Blade | 500 | 72 | IT/955 319 06 | 4.4 | 30 | - | 1 | N | £223.00 |
| | Scorer | 200 | 36 | IT/956 026 53 | 4.4-5.3 | 20 | - | 3 | Y | £133.46 |
| | Main Blade | 550 | 72 | IT/955 323 09 | 5.0 | 40 | - | 1 | N | £259.14 |
| | Scorer | 200 | 36 | IT/956 026 53 | 4.4-5.3 | 20 | - | 3 | Y | £133.46 |
| SCM/ Gabbiani | Main Blade | 305 | 60 | IT/955 310 5U | 4.4 | 80 | 2/14/110 | - | N | £174.00 |
| | Scorer | 160 | 36 | IT/956 019 5C | 4.4-5.3 | 55 | 3/7/66 | 3 | Y | £110.88 |
| | Main Blade | 355 | 72 | IT/955 311 5U | 4.4 | 80 | 2/7/110 - 4/9/100 | 1 | N | £169.26 |
| | | | | | | | - 2/14/110 | | | |
| | Scorer | 160 | 36 | IT/956 019 5C | 4.4-5.3 | 55 | 3/7/66 | 3 | Y | £110.88 |
| | Main Blade | 380 | 72 | IT/955 342 3U | 4.4 | 80 | 2/7/110 - 4/9/100 | 1 | N | £186.20 |
| | | | | | | | - 2/14/110 | | | |
| | Scorer | 160 | 36 | IT/956 019 5C | 4.4-5.3 | 55 | 3/7/66 | 3 | Y | £110.88 |
| | Main Blade | 380 | 72 | IT/955 312 3U | 4.8 | 80 | 2/14/110 | 1 | Y | £179.24 |
| | Scorer | 200 | 36 | IT/956 026 1U | 4.8-6.0 | 80 | 2/14/110 | 3 | Y | £169.26 |
| | Main Blade | 400 | 72 | IT/955 313 0U | 4.4 | 80 | 2/7/110 - 4/9/100 | 1 | N | £189.00 |
| | | | | | | | - 2/14/110 | | | |
| Selco | Scorer | 160 | 36 | IT/956 019 5C | 4.4-5.3 | 55 | 3/7/66 | 3 | Y | £110.88 |
| | Main Blade | 420 | 72 | IT/955 313 5U | 4.4 | 80 | 2/14/110 | 1 | Y | £190.79 |
| | Scorer | 160 | 36 | IT/956 019 5C | 4.4-5.3 | 55 | 3/7/66 | 3 | Y | £110.88 |
| | Main Blade | 300 | 72 | IT/955 310 4S | 4.4 | 65 | 2/9/110 | 1 | Y | £152.15 |
| | Scorer | 200 | 36 | IT/956 026 5S | 4.4-5.3 | 65 | 2/9/100 - 2/9/110 | 3 | Y | £133.46 |
| | Main Blade | 320 | 72 | IT/955 335 0S | 4.4 | 65 | 2/9/110 | 1 | N | £211.16 |
| | Scorer | 200 | 36 | IT/956 026 5S | 4.4-5.3 | 65 | 2/9/100 - 2/9/110 | 3 | Y | £133.46 |
| | Main Blade | 355 | 72 | IT/955 311 6U | 4.4 | 80 | 2/9/130 - 4/19/120 | 1 | N | £225.54 |
| | Scorer | 200 | 36 | IT/956 026 5S | 4.4-5.3 | 65 | 2/9/100 - 2/9/110 | 3 | Y | £133.46 |
| | Main Blade | 380 | 72 | IT/955 312 1U | 4.4 | 80 | 2/9/130 - 4/19/120 | 1 | N | £233.73 |
| | Scorer | 200 | 36 | IT/956 026 5S | 4.4-5.3 | 65 | 2/9/100 - 2/9/110 | 3 | Y | £133.46 |
| | Scorer | 300 | 72 | IT/955 110 6S | 4.6 | 65 | 2/9/110 | 1 | N | £208.95 |
| | Main Blade | 400 | 72 | IT/955 313 2U | 4.4 | 80 | 2/9/130 - 4/19/120 | 1 | Y | £183.02 |
| | Scorer | 200 | 36 | IT/956 026 5S | 4.4-5.3 | 65 | 2/9/100 - 2/9/110 | 3 | Y | £133.46 |
| | Scorer | 300 | 72 | IT/955 110 6S | 4.6 | 65 | 2/9/110 | 1 | N | £208.95 |
| | Main Blade | 430 | 72 | IT/955 315 0U | 4.4 | 80 | 2/9/130 - 4/19/120 | 1 | Y | £206.22 |
| | Scorer | 200 | 36 | IT/956 026 5S | 4.4-5.3 | 65 | 2/9/100 - 2/9/110 | 3 | Y | £133.46 |
| | Scorer | 300 | 72 | IT/955 110 6S | 4.6 | 65 | 2/9/110 | 1 | N | £208.95 |
| Main Blade | 450 | 72 | IT/955 316 0U | 4.4 | 80 | 2/9/130 - 4/19/120 | 1 | N | £208.95 | |
| Scorer | 200 | 36 | IT/956 026 5S | 4.4-5.3 | 65 | 2/9/100 - 2/9/110 | 3 | Y | £133.46 | |
| Main Blade | 450 | 72 | IT/955 317 0U | 4.8 | 80 | 2/9/130 - 4/19/120 | 1 | Y | £223.34 | |
| Scorer | 200 | 36 | IT/956 026 1S | 4.8-6.0 | 65 | 2/9/110 | 3 | Y | £133.46 | |
| Main Blade | 480 | 72 | IT/955 317 8U | 4.8 | 80 | 2/9/130 - 4/19/120 | 1 | N | £271.22 | |
| Scorer | 200 | 36 | IT/956 026 1S | 4.8-6.0 | 65 | 2/9/110 | 3 | Y | £133.46 | |