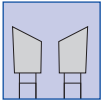
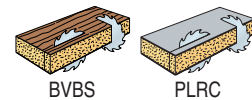
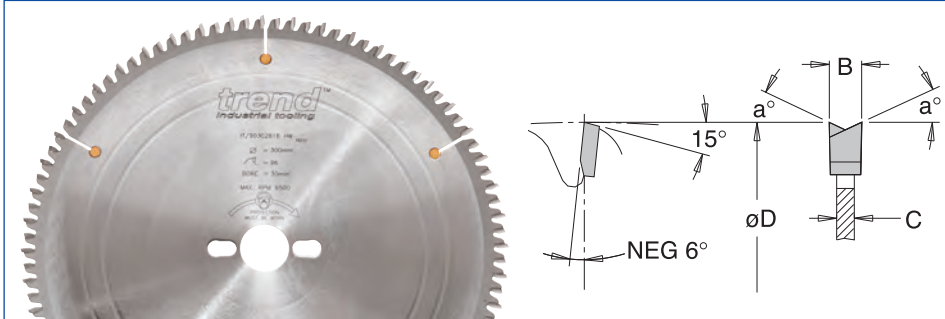


Panel Trimming and Sizing Sawblades Without Scorer

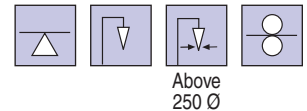
- Suitable for trimming and sizing with a super fine finish on single and double-sided laminated boards (chipboard, MDF etc).
- High bevel angle alternate bevel tooth, negative hook.
- Special tooth form allows blade to machine double-sided laminated board without a scorer.
- For use on a table or panel saw.
- Other bore sizes available, see page 17.



Laminated Boards & Veneered Boards
Alternate Bevel Teeth
Super Fine Finish

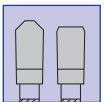


øD	Teeth	Product Ref.	B	C	a	ø bore	Stock	Price
200	64	IT/903 02 60 6	3.0	2.2	25°	30	N	£82.22
250	80	IT/903 02 70 6	3.4	2.6	25°	30	N	£100.38
300	96	IT/903 02 81 6	3.0	2.2	35°	30	Y	£114.14
300	96	IT/903 02 80 6	3.4	2.6	25°	30	N	£117.50
330	102	IT/903 02 85 6	3.4	2.6	25°	30	N	£142.28
350	108	IT/903 02 90 6	3.4	2.6	25°	30	N	£142.28
400	120	IT/903 03 00 6	4.0	3.2	25°	30	N	£158.76

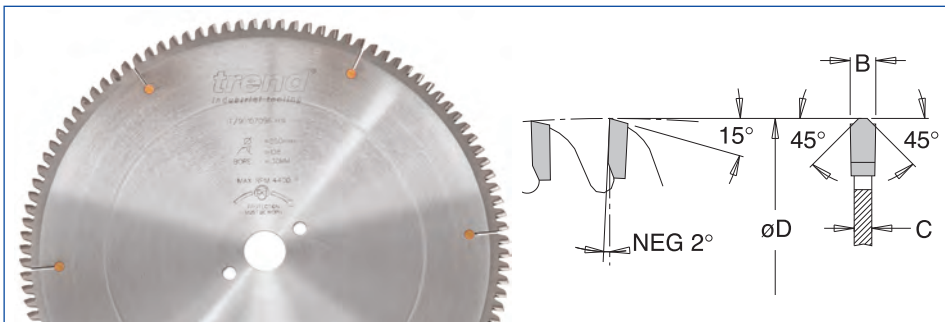


Plastic Trimming & Sizing Sawblades

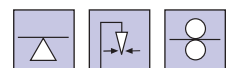
- Suitable for trimming and sizing acrylic sheets, Plexiglas and thermoplastic profiles.
- Triple chip, negative hook.
- Special tooth form reduces the possibility of "chip weld" or melting of material.
- For use on a table or panel saw.
- Other bore sizes available, see page 17.



Plastic Sheets
Triple Chip Teeth
Medium/Fine Finish



øD	Teeth	Product Ref.	B	C	ø bore	Stock	Price
250	80	IT/901 07 03 6	2.5	1.8	30	N	£111.93
300	96	IT/901 07 06 6	3.3	2.6	30	Y	£120.75
350	108	IT/901 07 09 6	3.7	3.0	30	Y	£163.80



Stock Y normally kept in stock for next day delivery N not normally held in stock, delivery in a short time